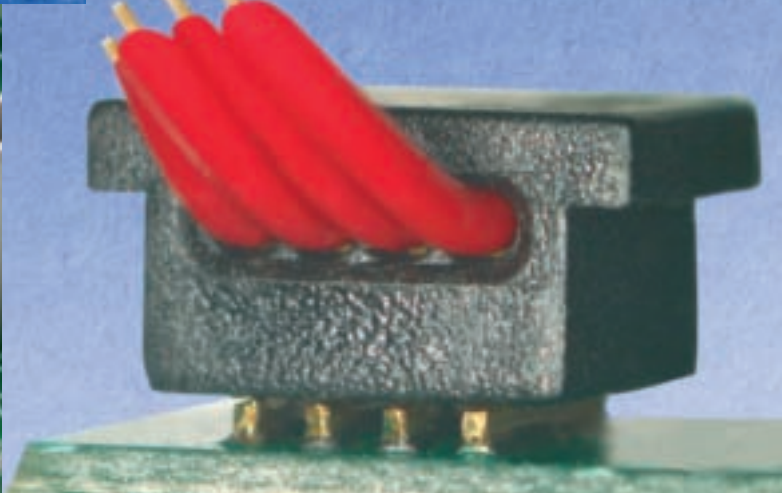


CATALOG

43

Surface Mount & Through-Hole
Interconnection & Assembly Solutions





My grandfather, Frederick R. Zierick, founded the company in 1919 and we grew with the electronics industry. For three generations Zierick Manufacturing has been focused on the development and manufacturing of precision connectors that others have trouble matching.

The scope of our industry has broadened over the years. We began with radio components but today there is hardly a product manufactured that doesn't include a printed circuit board. It's exciting - there is always something new for us to work on!

We are proud to manufacture and electroplate our quality parts in New York State, USA.

Zierick continues to focus on engineering and processes. Our R&D engineers are here to work with you, our customer, to select or design a connector that meets your requirements. Our skilled toolmakers build and maintain our tools.

We use vision systems to perform 100% inspection on key characteristics, and our in-house plating process is carefully monitored. We design and build much of our application equipment and have staff available to provide telephone and on-site support.

Our Quality Policy is clear: Deliver on time, conform to specs.

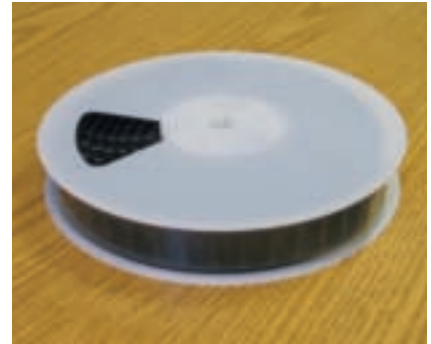
Many of our standard products are in inventory and can be shipped same day. Others are made to order and ship dates depend on availability of raw materials and our current lead time. We'll advise you of our best date and will work to improve it.

You - our customers - have helped make Zierick successful for over 90 years. Make our components a part of your successful products.

Gretchen Zierick
President

Zierick Prototype Reels

Zierick's Surface Mount taped parts are now available on 7" Small Prototype Reels which hold 100 terminals. These inexpensive reels are a quick and easy way to evaluate Zierick components with your equipment and your boards before making a large order commitment. Look for terminals which have a part number ending with -SR (small reel), or call Customer Service.



Visit www.zierick.com for the most up-to-date and comprehensive information about the company and its products. The website offers downloadable CADs of our parts, order tracking, videos, and the ability to find the part you need by description, or the perfect mates for the parts you now use.

Zierick Manufacturing Corp. is an engineering-based manufacturer of connectors and the leading source of solutions to complex electronic and printed circuit board interconnection requirements and problems, ranging from standard products to custom-made goods. We also provide our customers with assembly equipment for our parts, interconnection hardware, and taped terminals. Since 1919, Zierick has set the standard in both design leadership and quality tooling and stamping.



© 2012 Zierick Manufacturing Corporation

2	Online CAD Drawings
3	Surface Mount Connectors
4	SMT Pins and Posts
8	SMT Tabs / Quick Disconnect Terminals
11	SMT Pin Headers
16	SMT Board Stacking Connectors
18	SMT Fine Wire Connectors
20	SMT Insulation Displacement Connectors
22	SMT Insulation Piercing Connectors
25	SMT Zip Cord Connectors
27	SMT Wire Grippers
28	SMT Jumpers
29	SMT Receptacles
31	SMT Box Receptacles
34	SMT Clips
35	SMT Fuse Receptacles
36	SMT Sockets
39	Terminals for High Temp Applications
41	Board Stuffing Service
43	Through-Hole Connectors
44	Tabs / Quick Disconnect Terminals
60	Test Point Terminals
63	Pro Wave Connectors
64	Box Receptacles
68	Tab Receptacles
72	Universal Tab Receptacles
76	Snap-In & Standard Fuse Clips
79	Insulation Displacement Connectors
84	IDC Wire Insertion Tools
85	Wire Grippers
86	Crimp-On Wire Strain Relief Terminals
87	Screw Terminals / Binding Posts
92	Screws and Wire Clamps
93	<i>Accu-Post™</i> Terminals
97	Through-Hole and Surface Mount Equipment
98	Model 9700 XY
99	Model 9700
101	<i>Surf-Shooter SMT™</i> Feeder for Continuous Strip Terminals
102	<i>Surf-Shooter SMT™</i> Feeder for Loose Piece Terminals
103	Wire Crimping Equipment
105	Product Guarantee and Plating / Finish Table
107	Part Number Cross Reference





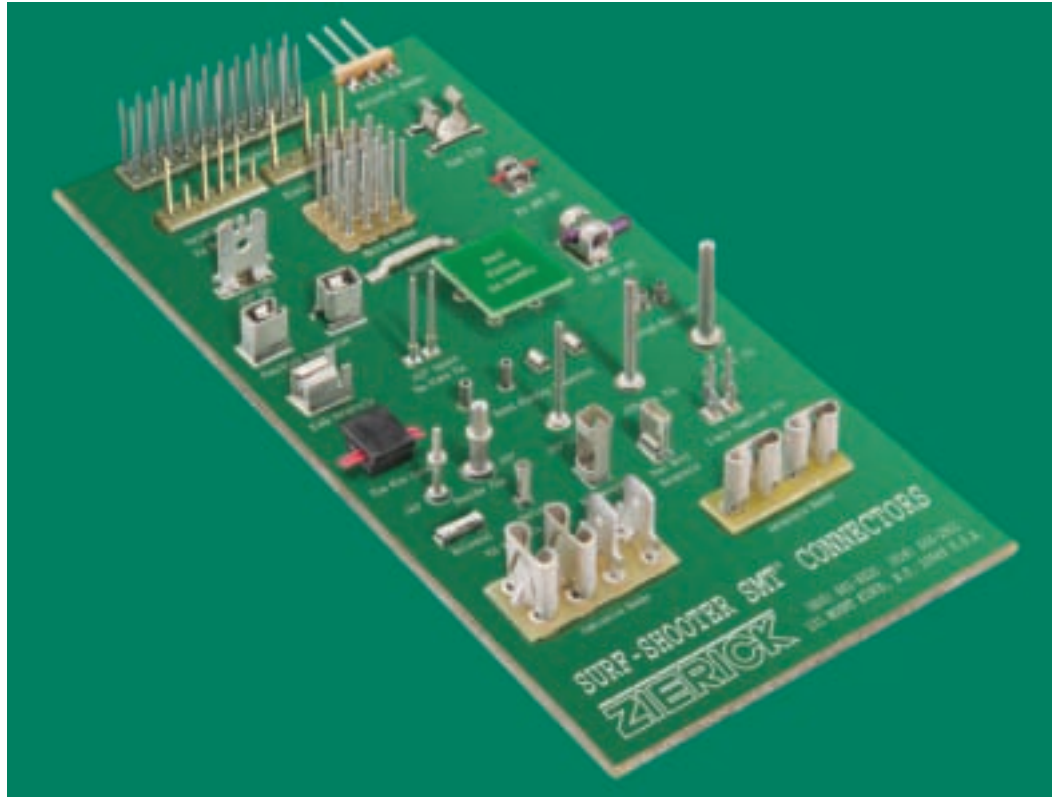
To help electronic designers and engineers improve efficiency, significantly shorten design cycles, and reduce design and engineering costs, Zierick Manufacturing Corporation has been providing online access to much of its extensive library of CAD drawings at www.zierick.com.

Zierick is the leading source of custom and standard solutions for printed circuit board connection requirements and problems. Zierick's new online offerings provide visitors with access to hundreds of CAD models from its popular Surface Mount and Through Hole product lines.

The Zierick website homepage announces this opportunity for visitors with a link to a full listing of the part numbers that can be downloaded or viewed in 3D format. The web pages for those part numbers now feature links connecting visitors to the CAD drawings.

Thanks to this easy access, engineers can quickly download pre-drawn CAD models of Zierick's components and insert them into their own designs using any major CAD software system, eliminating the need to obtain dimensions and painstakingly redraw the parts.

This functionality makes it possible for our customers' engineers to focus on the bigger picture when creating new designs. We want to make it easy for our customers to integrate our parts into their designs.

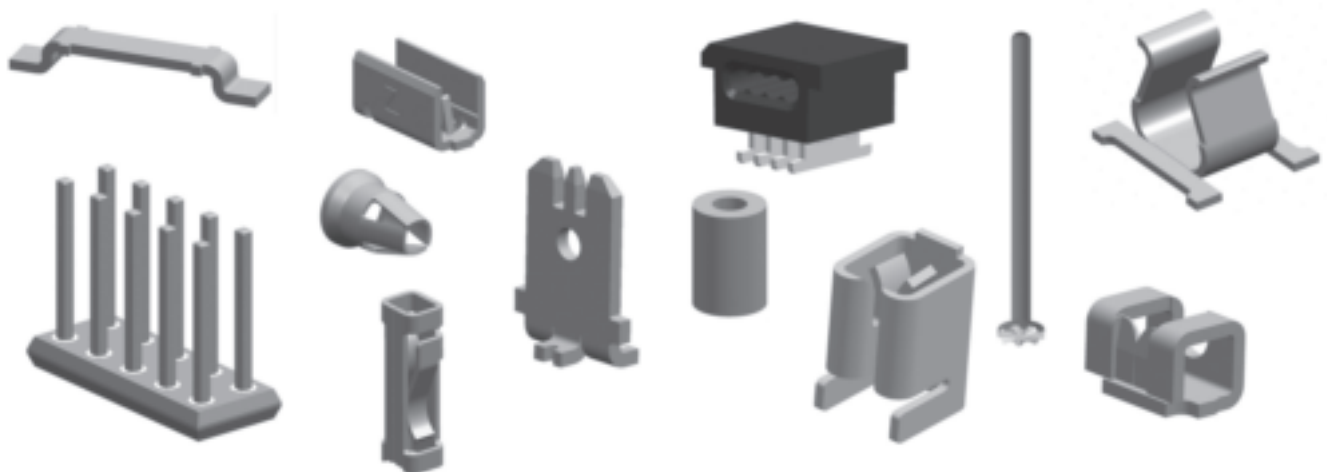


As the industry's first surface-mountable connectors to be supplied on a continuous reel, our surface mount connectors are designed to be used as part of Zierick's Surf-Shooter SMT™ (Surface Mount Technology) assembly system to simplify and reduce the cost of surface mount assembly. The complete Surf-Shooter SMT™ system (consisting of connectors supplied on a continuous reel and a special feeder) feeds, separates, and

presents the continuous format, surface-mountable connectors to the pick-up head of the customer's existing placement system.

The continuous format design of the stamped SMT connectors eliminates the need for hand placement or prepackaging that is typically used for surface mount connectors. It eliminates the need for putting the Zierick component in tape and reel, which costs

more than the price of the component itself. Even odd-form components can be fed to the customer's placement system on continuous reels, eliminating hand assembly.



Features and Benefits

- Individual pins can be randomly placed.
- Pins don't float during reflow.
- Pins are reliably perpendicular.
- Zierick offers pins that are designed for .100° on-center applications.
- Certain pins can be selectively plated.
- Many can be produced in different lengths or with different materials for higher conductivity.
- Others provide Z-Axis (axial) compliancy and/or can be used in parallel PCB stacking applications.
- All are designed for automation using the customer's existing pick and place equipment and a special feeder.
- No time-consuming hand placement or costly fixturing is required.

Zierick's SMT pins and posts are specially designed for high-reliability PCB interconnection applications. They are available in many lengths and diameters.

To reduce the applied cost and increase interconnection reliability, Zierick utilizes the capillary action of reflowing solder to prevent the



component from floating and moving on top of the melted solder, and to improve solder joint strength. Pull-force tests reveal that a post with proper capillary action has much higher retention to the printed circuit board than a post without the capillary action feature.

The higher retention force is attributable to two conditions:

- ◆ The first is the very thin layer of solder between the base of the pin and the solder pad. Solder is a weak alloy with a low yield stress. A thicker layer of solder will fail before a thinner layer.

- ◆ As the solder paste reflows, flux and other active ingredients in the solder cause out-gassing. These gases get trapped under a relatively large surface like the base of the pin. The trapped gasses create voids in the solder that are clearly visible when the pin is pulled off or the solder joint is cross-sectioned. Pins that employ capillary action have fewer and smaller voids because the capillary tube provides a way for gasses to escape.

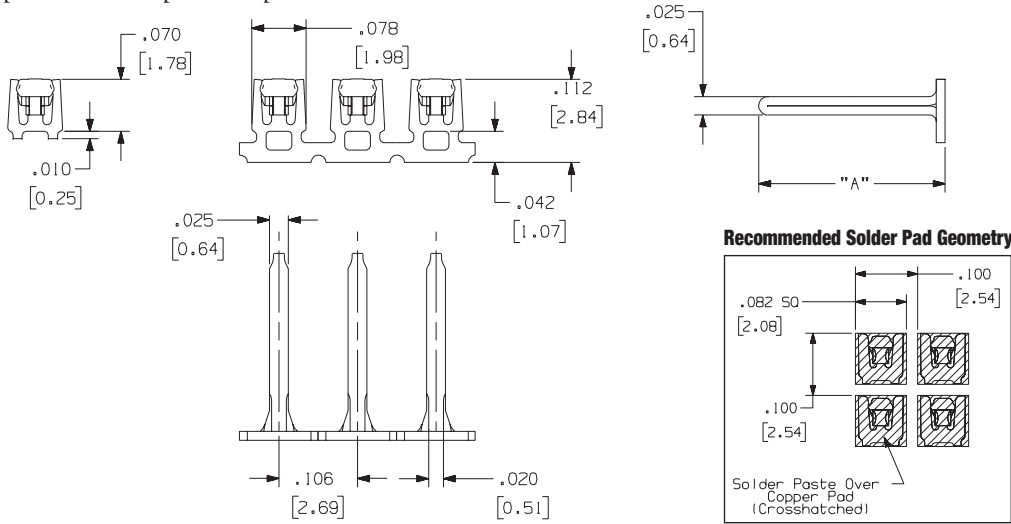


Part Numbers 1216, 6216, 1222, 6222, 6246

U.S. Patent Nos. 5,632,629, 5,695,348, 5,730,608, 5,816,868 and other U.S. and international patents

Zierick recommends .006" stencil thickness for most applications. For other stencil thicknesses, call Zierick's product development department.

Loose Part No.	1216	1222	
Reeled Part No.	6216	6222	6246
Pin Length (L)	0.375" (9.53mm)	0.250" (6.35mm)	0.375" (9.53mm)
Material Thickness / Type	0.012" (0.30mm) Brass		0.012" (0.30mm) CDA 155 Copper
Standard Finish	100% Tin over Copper		
Current Rating	8 Amperes		
Feeder System	Surf-Shooter SMT™ Continuous Strip Feeder		

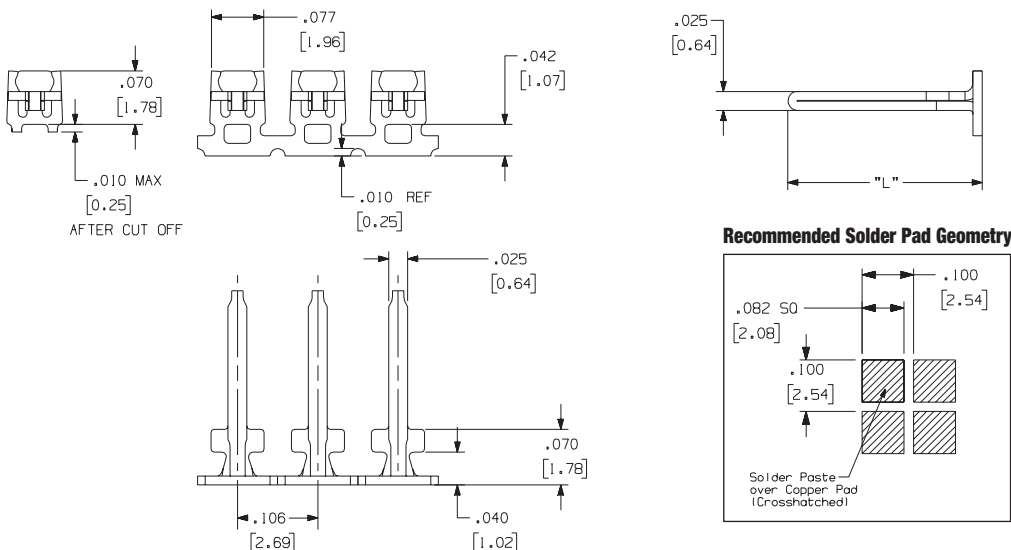


Part Numbers 6239, 6240

U.S. Patent Nos. 5,632,629, 5,695,348, 5,730,608, 5,816,868 and other U.S. and international patents

Zierick recommends .006" stencil thickness for most applications. For other stencil thicknesses, call Zierick's product development department.

Reeled Part No.	6239	6240
Pin Length (L)	0.250" (6.35mm)	0.375" (9.53mm)
Material Thickness / Type	0.012" (0.30mm) Brass	
Standard Finish	100% Tin over Copper	
Current Rating	8 Amperes	
Feeder System	Surf-Shooter SMT™ Continuous Strip Feeder	

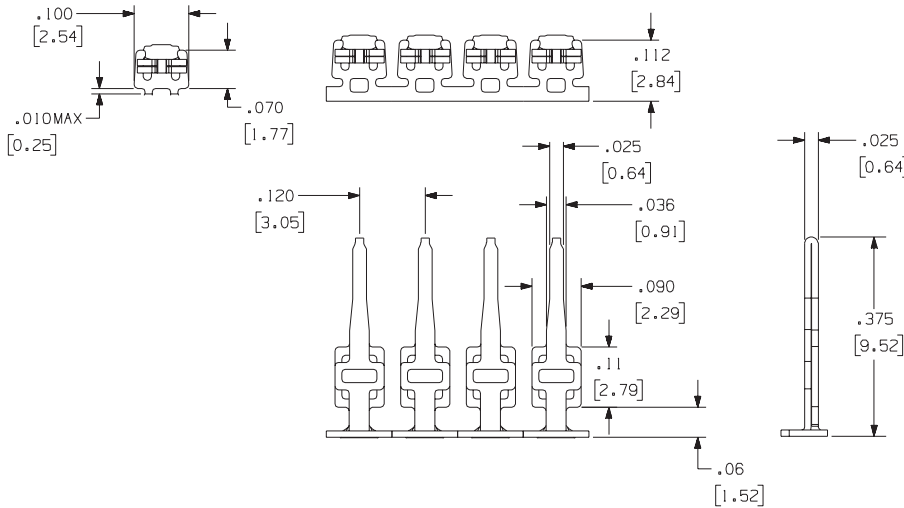


Part Numbers 1264, 6264

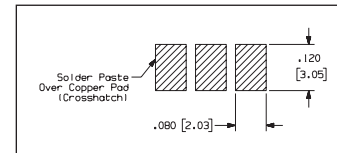
U.S. Patent Nos. 6,997,727 B1, 5,730,608, 5,632,629, 5,695,348, 5,816,868 and other U.S. and international patents

Zierick recommends .006" stencil thickness for most applications. For other stencil thicknesses, call Zierick's product development department.

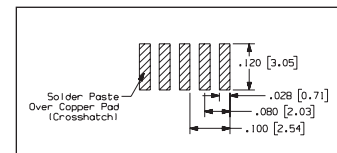
Loose Part No.	1264
Reeled Part No.	6264
Total Length (Height)	0.375" (9.52mm)
Material Thickness / Type	0.012" (0.30mm) C15500 Copper & Silver
Standard Finish	100% Tin over Copper
Current Rating	8 Amperes
Feeder System	Surf-Shooter SMT™ Continuous Strip Feeder



Recommended Solder Pad Geometry



Alternate Solder Pad Geometry



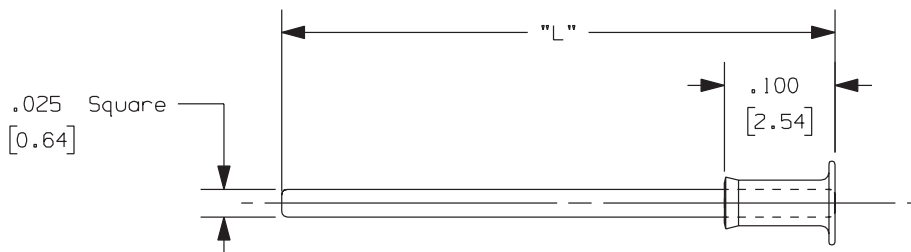
Surface Mount Solid Pins

Part Numbers A1-250, A1-375, A1-421, A1-500, A1-625, A1-750

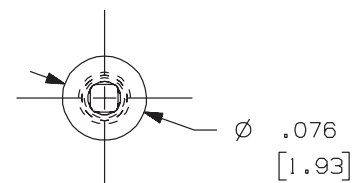
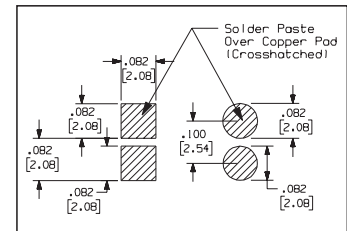
U.S. Patent Nos. 5,632,629, 5,816,868 and other U.S. and international patents

Zierick recommends .006" stencil thickness for most applications. For other stencil thicknesses, call Zierick's product development department.

Loose Part No.	A1-250	A1-375	A1-421	A1-500	A1-625	A1-750
Dim 'L'	0.250" (6.35mm)	0.375" (9.53mm)	0.421" (10.69mm)	0.500" (12.70mm)	0.625" (15.88mm)	0.750" (19.05mm)
Pin Width	0.025" (0.64mm) Square					
Standard Finish	100% Tin over Copper					
Current Rating	8/Pin					
Feeder System	Pin-Shooter SMT Loose Piece Feeder (Pin Shooter)					



Recommended Solder Pad Geometry

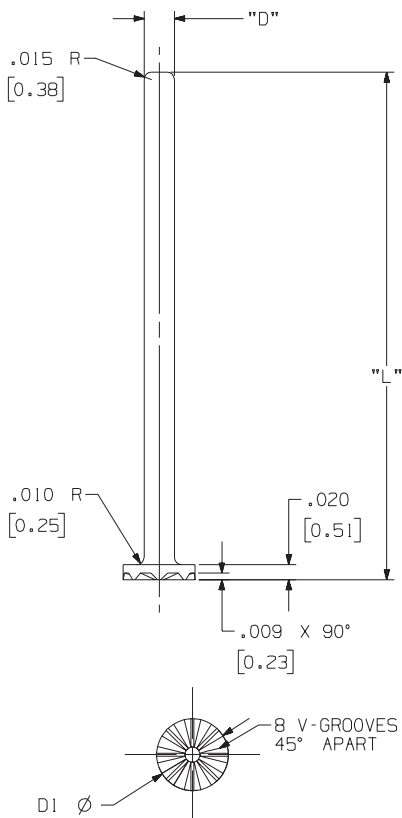


Part Numbers

**A2-375-0, A2-495-0,
A2-532-0, A2-670-0,
A2-680-0, A3-595-0,
A3-625-0, A3-680-0,
A3-800-0, A4-375-0,
A4-625-0, A4-680-0**

U.S. Patent Nos. 5,632,629,
5,695,348, 5,730,608, 5,816,868
and other U.S. and international
patents

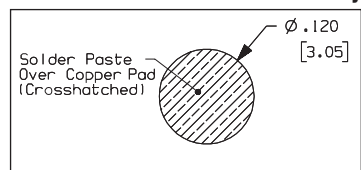
Zierick recommends .006" stencil
thickness for most applications.
For other stencil thicknesses, call
Zierick's product development
department.



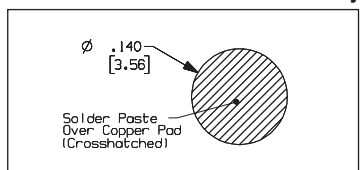
Part No.	DESCRIPTION	L*	D	D1	PAD	CURRENT RATING
A2-375-0	0.040" (1.02mm) Dia x 0.375" (9.53mm) long Solid Copper SMT Post; 100% Tin over CDA 11000	0.375" (9.53mm)	0.040" (1.02mm)	0.095" $\pm 0.005"$ (2.41mm ± 0.127 mm)	A	15 Amperes
A2-495-0	0.040" (1.02mm) Dia x 0.495" (12.57mm) long Solid Copper SMT Post; 100% Tin over CDA 11000	0.495" (12.57mm)	0.040" (1.02mm)	0.095" $\pm 0.005"$ (2.41mm ± 0.127 mm)	A	15 Amperes
A2-532-0	0.040" (1.02mm) Dia x 0.532" (13.51mm) long Solid Copper SMT Post; 100% Tin over CDA 11000	0.532" (13.51mm)	0.040" (1.02mm)	0.095" $\pm 0.005"$ (2.41mm ± 0.127 mm)	A	15 Amperes
A2-670-0	0.040" (1.02mm) Dia x 0.670" (17.02mm) long Solid Copper SMT Post; 100% Tin over CDA 11000	0.670" (17.02mm)	0.040" (1.02mm)	0.095" $\pm 0.005"$ (2.41mm ± 0.127 mm)	A	15 Amperes
A2-680-0	0.040" (1.02mm) Dia x 0.680" (17.27mm) long Solid Copper SMT Post; 100% Tin over CDA 11000	0.680" (17.27mm)	0.040" (1.02mm)	0.095" $\pm 0.005"$ (2.41mm ± 0.127 mm)	A	15 Amperes
A3-595-0	0.060" (1.52mm) Dia x 0.595" (15.11mm) long Solid Copper SMT Post; 100% Tin over CDA 11000	0.595" (15.11mm)	0.060" (1.52mm)	0.120" $\pm 0.005"$ (3.05mm ± 0.127 mm)	B	20 Amperes
A3-625-0	0.060" (1.52mm) Dia x 0.625" (15.88mm) long Solid Copper SMT Post; 100% Tin over CDA 11000	0.625" (15.88mm)	0.060" (1.52mm)	0.120" $\pm 0.005"$ (3.05mm ± 0.127 mm)	B	20 Amperes
A3-680-0	0.060" (1.52mm) Dia x 0.680" (17.27mm) long Solid Copper SMT Post; 100% Tin over CDA 11000	0.680" (17.27mm)	0.060" (1.52mm)	0.120" $\pm 0.005"$ (3.05mm ± 0.127 mm)	B	20 Amperes
A3-800-0	0.060" (1.52mm) Dia x 0.800" (20.32mm) long Solid Copper SMT Post; 100% Tin over CDA 11000	0.800" (20.32mm)	0.060" (1.52mm)	0.120" $\pm 0.005"$ (3.05mm ± 0.127 mm)	B	20 Amperes
A4-375-0	0.080" (2.03mm) Dia x 0.375" (9.53mm) long Solid Copper SMT Post; 100% Tin over CDA 11000	0.375" (9.53mm)	0.080" (2.03mm)	0.140" $\pm 0.010"$ (3.56mm ± 0.254 mm)	C	25 Amperes
A4-625-0	0.080" (2.03mm) Dia x 0.625" (15.88mm) long Solid Copper SMT Post; 100% Tin over CDA 11000	0.625" (15.88mm)	0.080" (2.03mm)	0.140" $\pm 0.010"$ (3.56mm ± 0.254 mm)	C	25 Amperes
A4-680-0	0.080" (2.03mm) Dia x 0.680" (17.27mm) long Solid Copper SMT Post; 100% Tin over CDA 11000	0.680" (17.27mm)	0.080" (2.03mm)	0.140" $\pm 0.010"$ (3.56mm ± 0.254 mm)	C	25 Amperes

Feeder System: Pin-Shooter SMT Loose Piece Feeder (Pin Shooter)

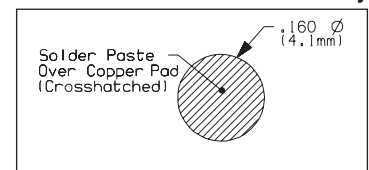
Pad A - Recommended Solder Pad Geometry



Pad B - Recommended Solder Pad Geometry



Pad C - Recommended Solder Pad Geometry



* Additional Pin Lengths available upon request. Please consult factory.

Features and Benefits

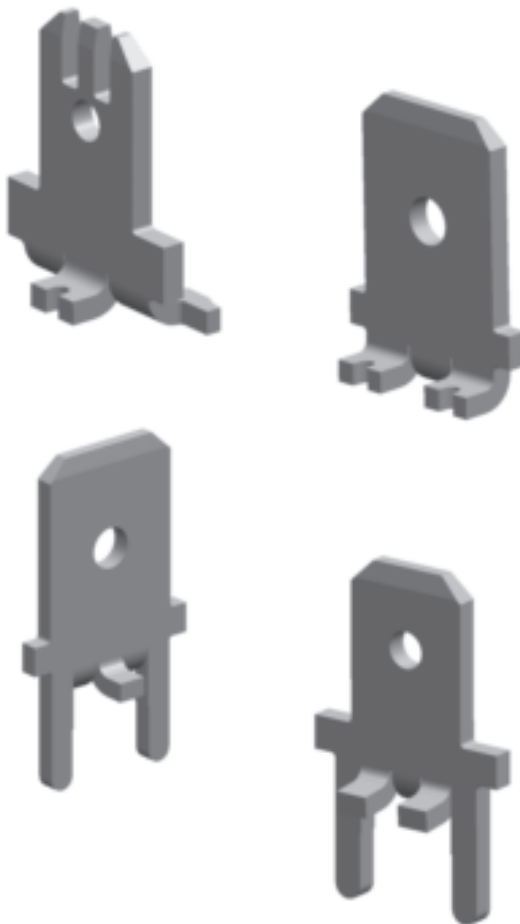
- Zierick Tabs / Quick Disconnects have high retention forces.
- The shoulder provides a stand-off for the mating part from the PCB.
- They retain typical through-hole Tab / Quick Disconnect features.
- They don't float during reflow.
- All are designed for automation using the customer's existing pick and place equipment and a special feeder, and require no time consuming hand placement or costly fixturing.
- Most Tabs can be automated using standard tape feeders.



Zierick's family of Surface Mount Tabs / Quick Disconnects is now easier than ever to use. They are supplied on reels for easy application by our Surf-Shooter SMT™ Continuous Strip Feeders, in loose piece for lower volumes, or in Surface Mount Tape Pockets. Any Tab which is available in Tape can be purchased in Small Reels for prototyping.

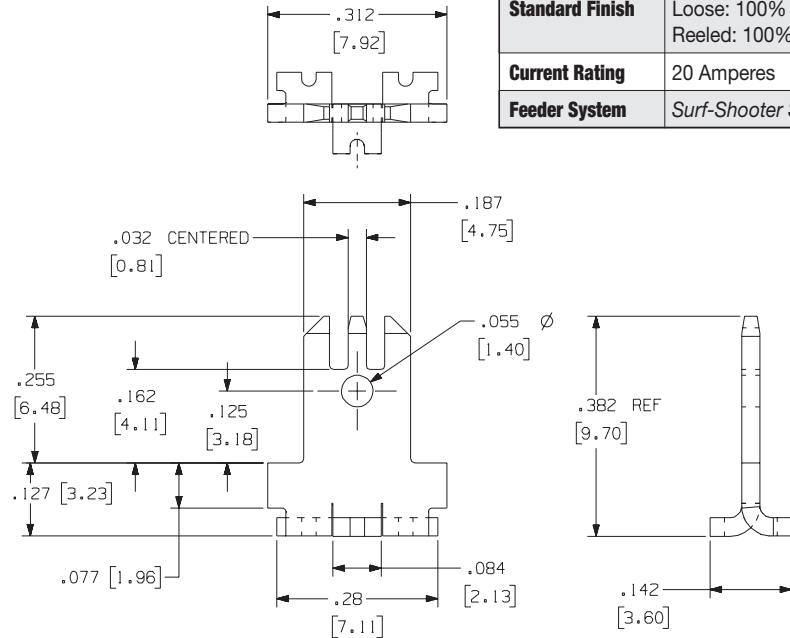
Many of our Surface Mount Tabs / Quick Disconnects have been designed for easy "gripper" pick-up from Tape Pockets, and can be placed by the customer's existing placement systems.

For other requirements, please consult Zierick.



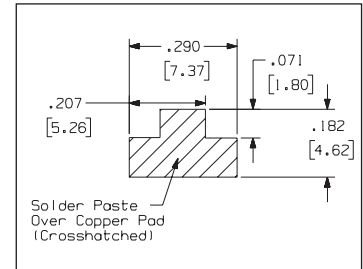
Part Number 1278

Zierick recommends .006" stencil thickness for most applications. For other stencil thicknesses, call Zierick's product development department.



Loose Part No.	1278
Hole Dimension	0.055" (1.40mm)
Material Thickness / Type	0.032" (0.81mm) Brass
Standard Finish	Loose: 100% Tin over Copper Reeled: 100% Tin over Copper
Current Rating	20 Amperes
Feeder System	Surf-Shooter SMT™ Continuous Strip Feeder

Recommended Solder Pad Geometry

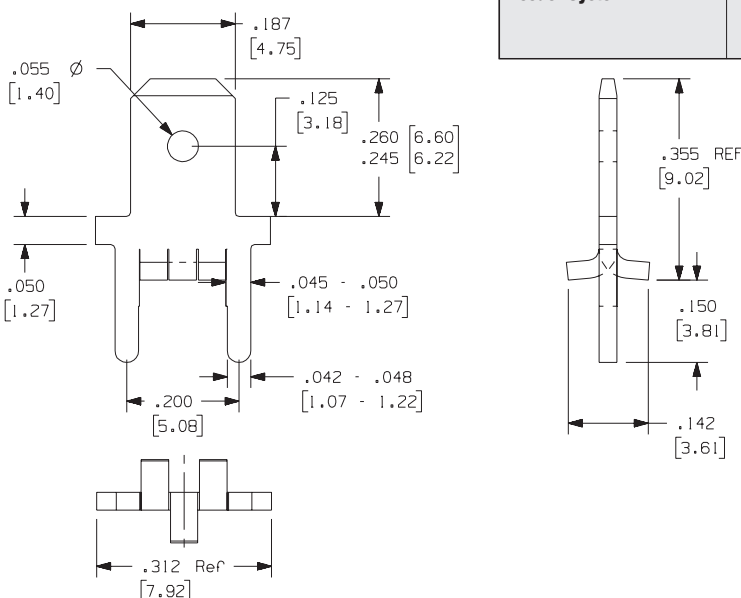


Mating receptacle first withdrawal force may not exceed the UL310 spec. of 18 lbs. max.

A 2oz. PCB Copper trace recommended.

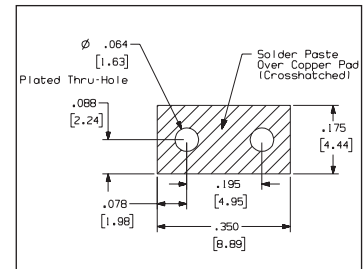
Part Number 6291

Zierick recommends .006" stencil thickness for most applications. For other stencil thicknesses, call Zierick's product development department.



Loose Part No.	N/A
Reeled	6291
Hole Dimension	0.055" (1.408mm) hole
Material Thickness / Type	0.032" (0.81mm) Brass
Standard Finish	100% Tin over Copper
Current Rating	25 Amperes
Feeder System	Surf-Shooter SMT™ Continuous Strip Feeder Model 9700 Model 9700 XY

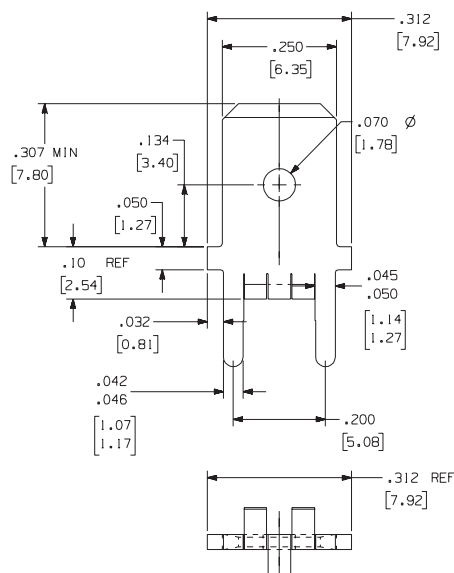
Recommended Solder Pad Geometry



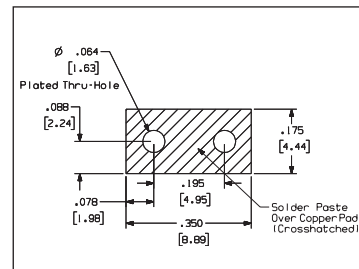
Part Number 6284

Zierick recommends .006" stencil thickness for most applications. For other stencil thicknesses, call Zierick's product development department.

Loose Part No.	N/A
Reeled	6284
Hole Dimension	0.070" (1.78mm) hole
Material Thickness / Type	0.032" (0.81mm) Brass
Standard Finish	100% Tin over Copper
Current Rating	25 Amperes
Feeder System	Surf-Shooter SMT™ Continuous Strip Feeder Model 9700 Model 9700 XY



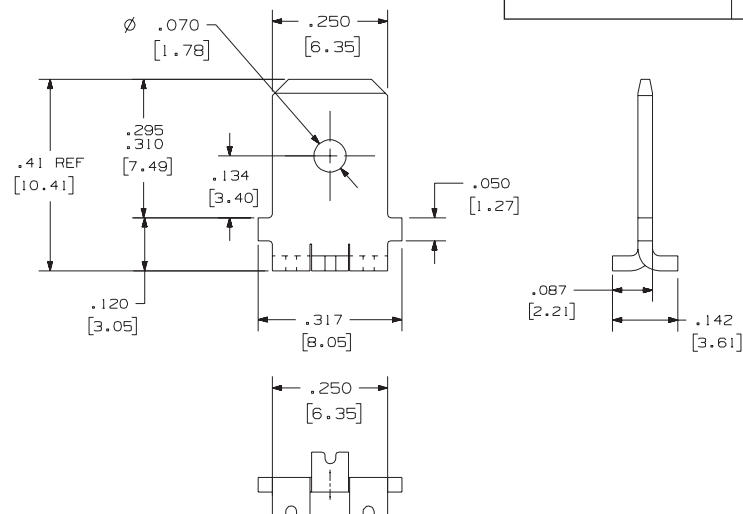
Recommended Solder Pad Geometry



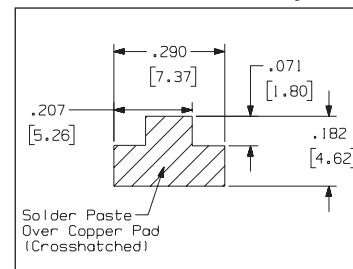
Part Numbers 1285, 6285, 1285TG, 1285TG-SR

Zierick recommends .006" stencil thickness for most applications. For other stencil thicknesses, call Zierick's product development department.

Loose Part No.	1285
Strip	6285
Taped	1285TG 1285TG-SR
Hole Dimension	0.070" (1.78mm) hole
Material Thickness / Type	0.032" (0.81mm) Brass
Standard Finish	100% Tin over Copper
Current Rating	25 Amperes
Feeder System	Surf-Shooter SMT™ Continuous Strip Feeder for PN 6285 Standard 24mm Tape Feeder for PN 1285TG



Recommended Solder Pad Geometry



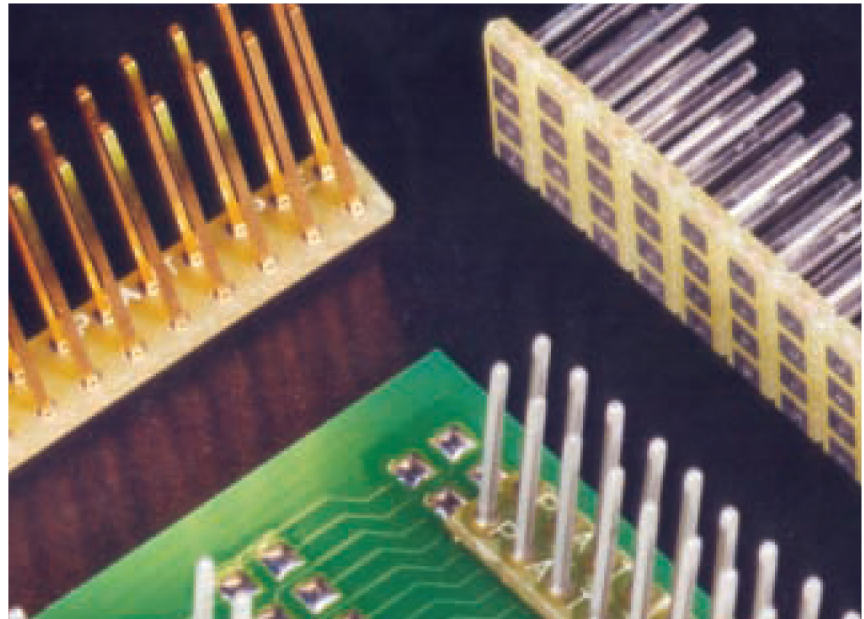
Mating receptacle first withdrawal force may not exceed the UL310 spec. of 18 lbs. max.

A 2oz. PCB Copper trace recommended.

Features and Benefits

- Co-planarity problems are eliminated.
- Minimal real estate is required on the board.
- They have 50% higher pin retention force.
- Optional configurations are available.
- Single Row, Double Row, Horizontal, and Matrix versions are available.
- They allow more forgiving board placement tolerances.
- A visual indicator assures quality processing.
- They are resistant to thermal shock and thermal cycling due to similarity of materials.

Zierick's unique header assembly features capillary action to improve solder joint strength and to reduce the component footprint on the PCB. As a result, pin retention forces are 50% higher than that of J-Lead type headers. As the capillary action draws the solder, it pulls the header assembly tightly to the PCB. At the same time, co-planarity problems are eliminated because the force generated by the capillary action also pulls the header into proper position over

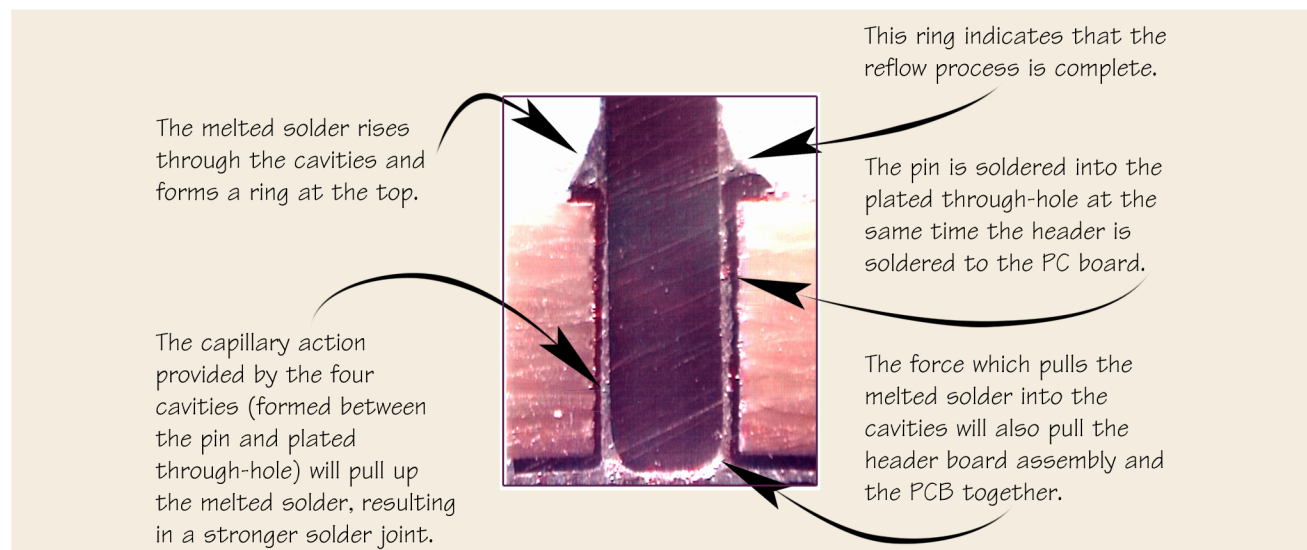


the solder pad, even if the part has been placed off-center.

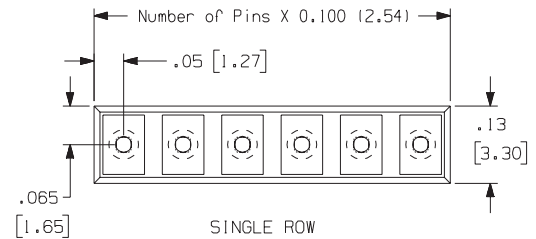
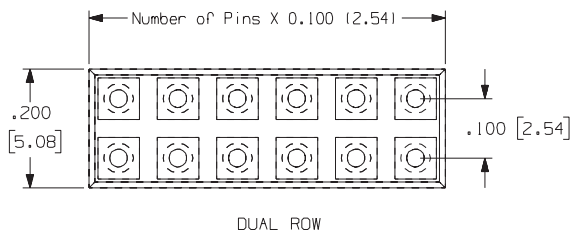
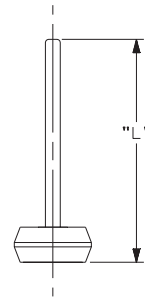
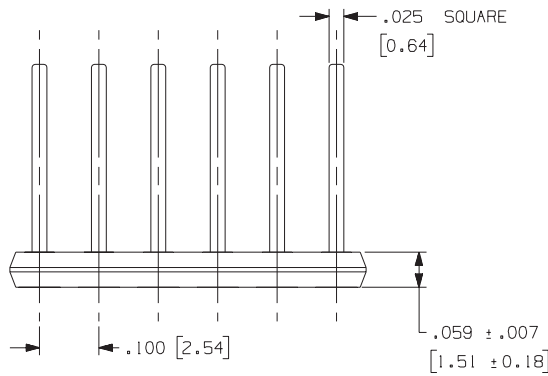
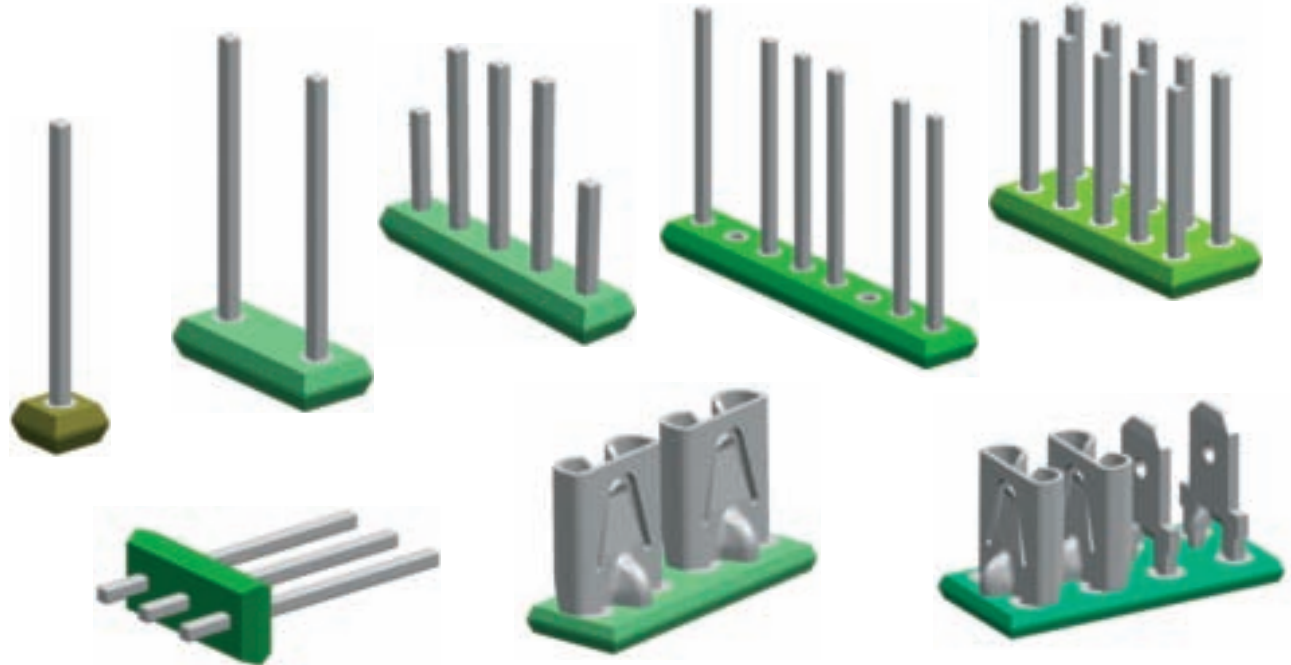
A circular solder pad on top of the board and a square solder pad on the bottom are connected to the conductive wall of the plated through-hole. The size of the hole is such that it holds the square pin in place, yet leaves four cavities defined by the flat sides of the pin and the curved wall of the hole. These cavities promote capillary action by drawing most of the melted solder up through the cavities where it forms a ring at

the top side of the header assembly board. This solder ring is a visual indication that the reflow process is perfect and complete.

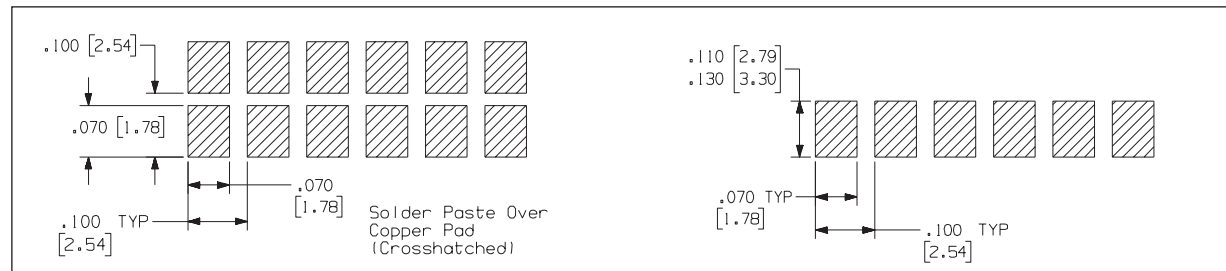
Further, because the header base is made of the same material as the PCB, there are no thermally induced stresses on the solder joint. Long-term reliability is assured. In addition, deep score lines run across both sides of the header base. The assembly is very flexible and can accommodate board warpage without weakening connections.

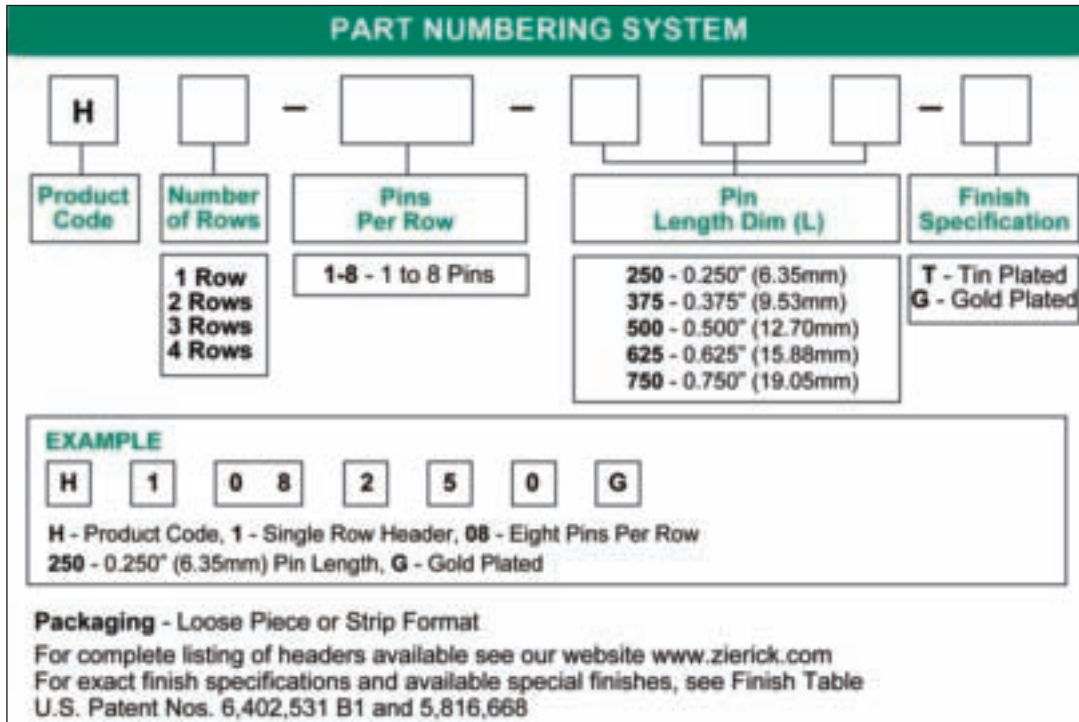


12 0.025" (.635mm) SMT Pin Headers



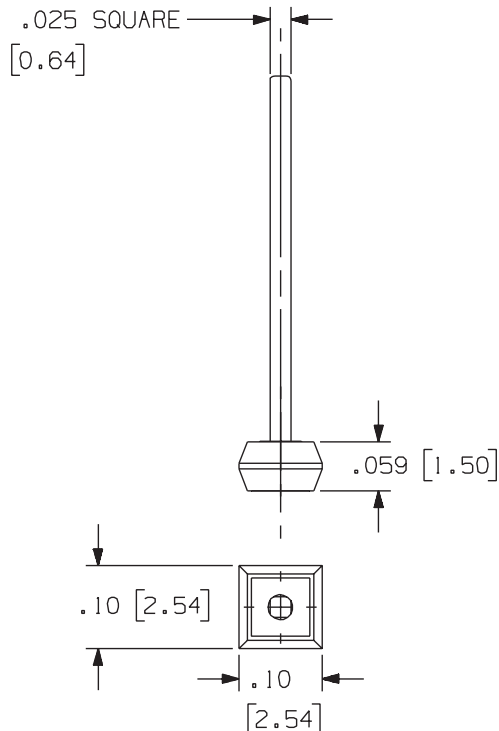
Recommended Solder Pad Geometry



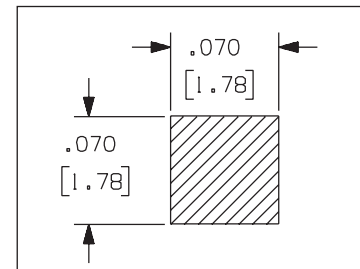


See available Part Numbers at www.zierick.com

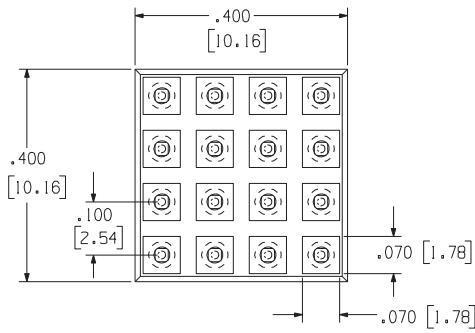
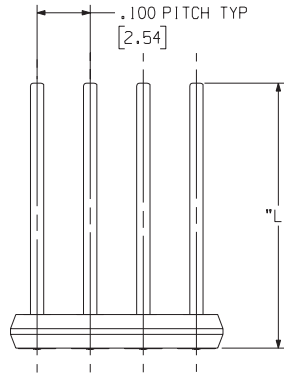
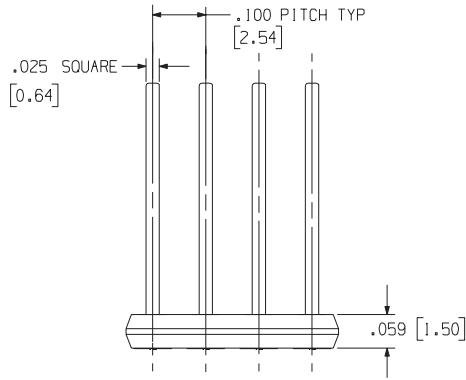
SMT One Pin Headers



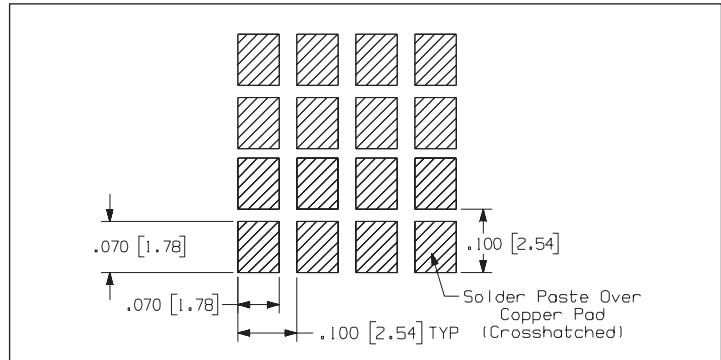
Recommended Solder Pad Geometry



See available Part Numbers at www.zierick.com

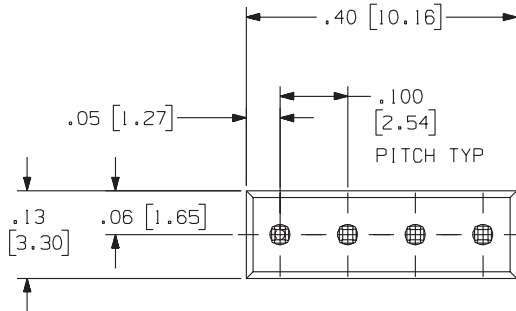
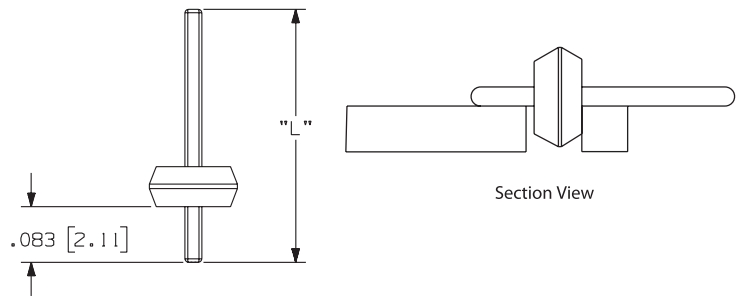
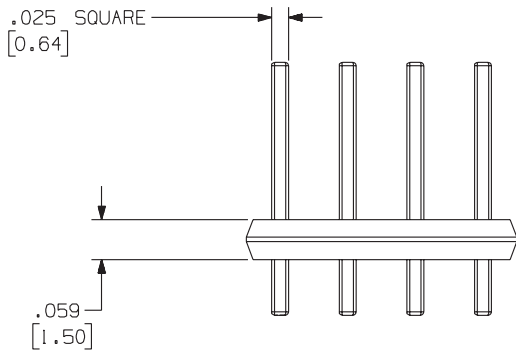


Recommended Solder Pad Geometry

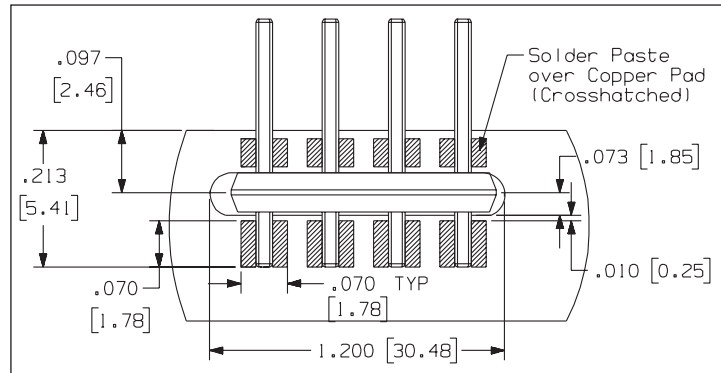


See available Part Numbers at www.zierick.com

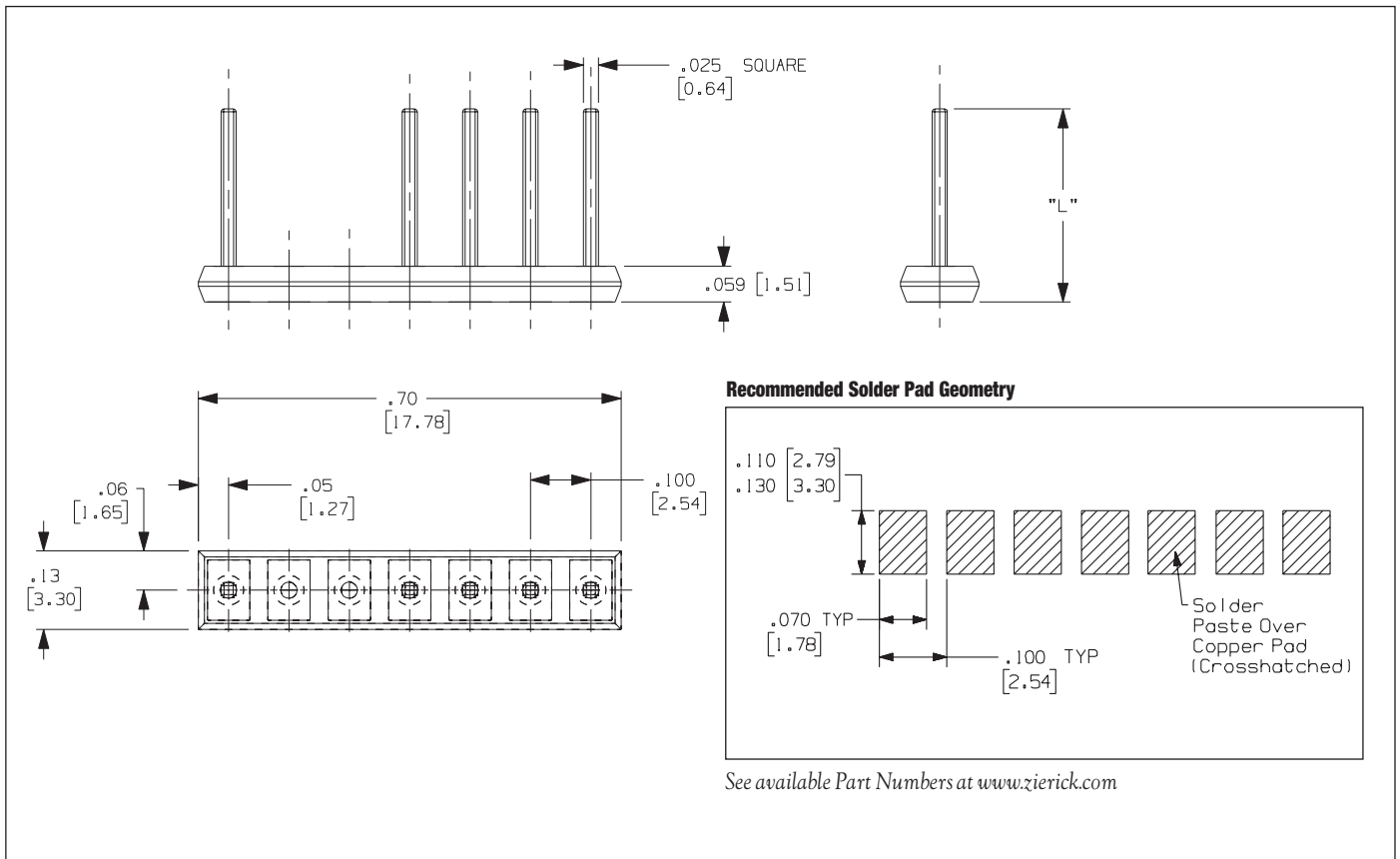
SMT Horizontal Pin Headers



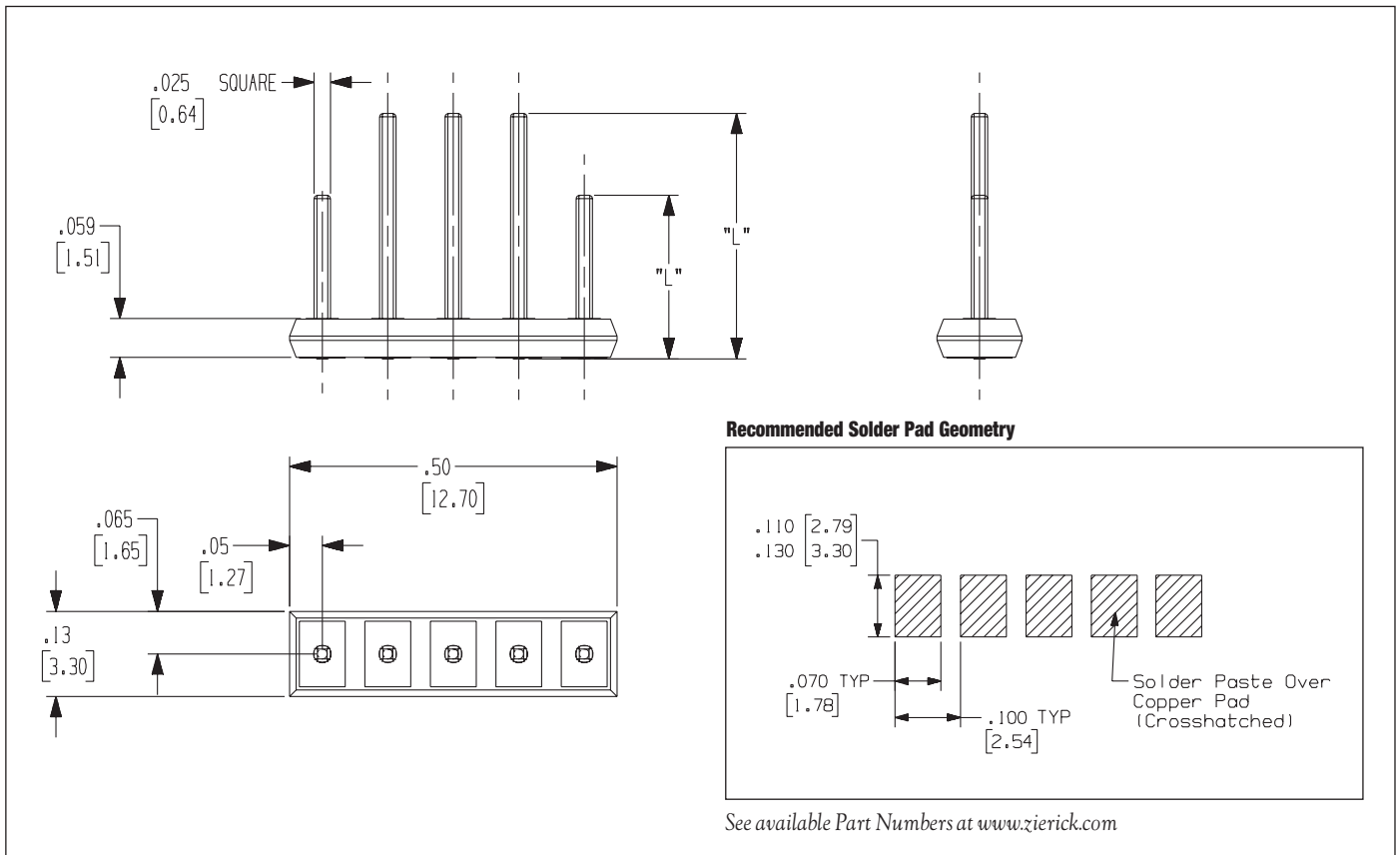
Recommended Solder Pad Geometry



See available Part Numbers at www.zierick.com

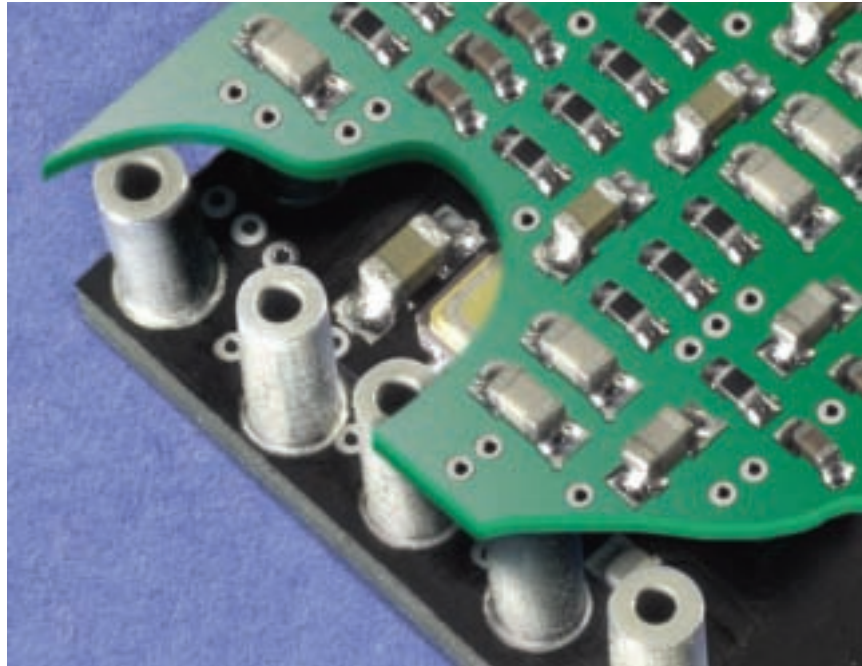


SMT Variable Length Headers



Features and Benefits

- Connectors can be made to different lengths and diameters.
- Self-centering and alignment problems are eliminated.
- Co-planarity is within .001 inch.
- The solder connection and joint strength is superior.
- Parts are available in bulk, pallets or SMT tape.
- The parts are designed for automation using the customer's existing pick and place equipment and a special feeder – no time consuming hand placement or costly fixturing is required.

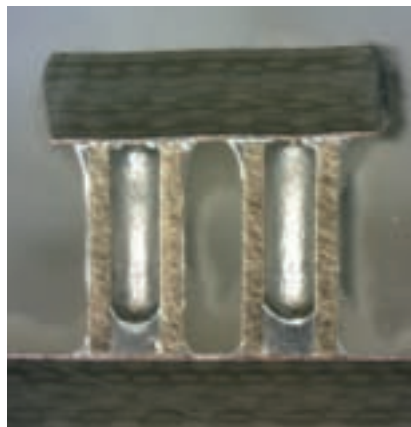


Zierick's Board Stacking Connector allows for more PCB design flexibility and more room for additional components.

Zierick has applied the benefits of capillary action to our Board Stacking Connector. This unique connector surface mounts to both the bottom and the top of a PCB, allowing for the connection of a mother and daughter board without through-hole pins. The result is greater PCB design flexibility, more cost-efficiency and a higher quality connection.

Available in bulk or on SMT tape, the Board Stacking Connectors use minimal real estate, allowing additional components to be placed on the PCB. They are self-centering and offer co-planarity within 0.001", virtually eliminating any alignment problems. Plus, they have low contact resistance and a high current rating to meet today's modular power requirements.

The Board Stacking Connector uses capillary action to provide superior solder joint strength for a more reliable connection. The connectors are first surface-mounted to the mother board. After reflow the PCB with the connectors are surface-mounted to the daughter board.

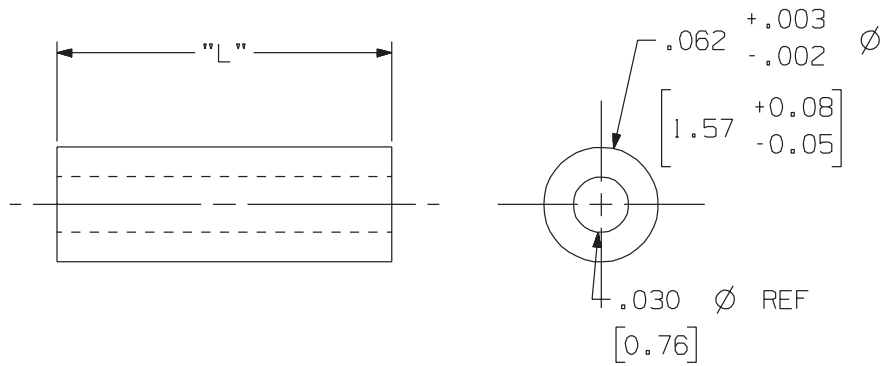


The Board Stacking Connector joins the mother and daughter board with surface mount technology on both boards.

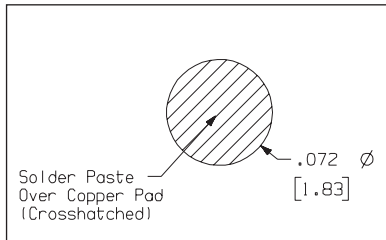
Part Numbers

**1258-090-0, 1258-090-0-TH
1258-090-0-TH-SR,
1258-100-0, 1258-118-0,
1258-118-0-T, 1258-140-0,
1258-157-0, 1258-181-0
1258-197-0, 1258-236-0**

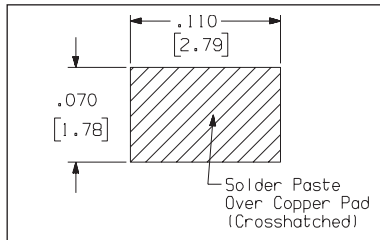
Zierick recommends .006" stencil thickness for most applications. For other stencil thicknesses, call Zierick's product development department.



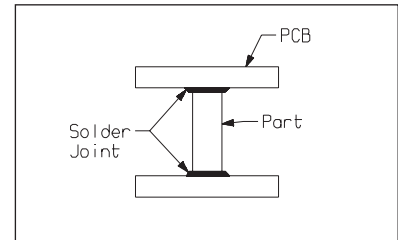
Recommended Solder Pad Geometry for Vertical Placement



Recommended Solder Pad Geometry for Horizontal Placement



SMT Application



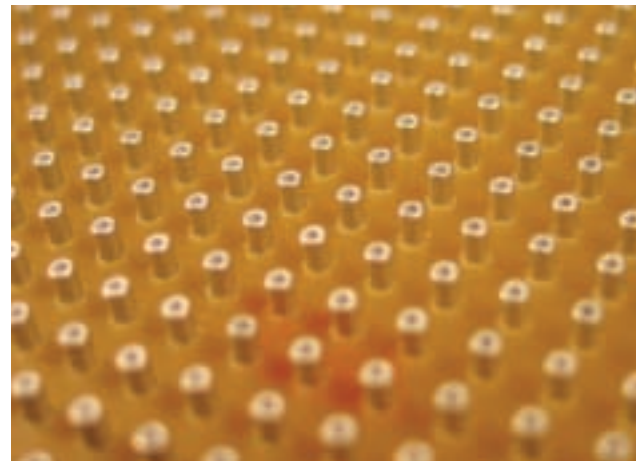
Loose Part No.	1258-090-0	1258-100-0	1258-118-0	1258-140-0	1258-157-0	1258-181-0	1258-197-0	1258-236-0
Taped Part No.	1258-090-0-TH 1258-090-0-TH-SR	n/a	1258-118-0-T	n/a	n/a	n/a	n/a	n/a
Dimensions	.062 x .090 long cylinder	.062 x .100 long cylinder	.062 x .118 long cylinder	.062 x .140 long cylinder	.062 x .157 long cylinder	.062 x .181 long cylinder	.062 x .197 long cylinder	.062 x .236 long cylinder
Finish Material	.000150" Min 100% Tin over .000100" Copper							
Contact Material	C36000 Brass Cylinder Consult factory for optional materials.							
Termination Retention Force	3.5 lbs per terminal							
Current Rating	10 Amperes							

Other lengths may be available. Please consult factory.

Sample Board

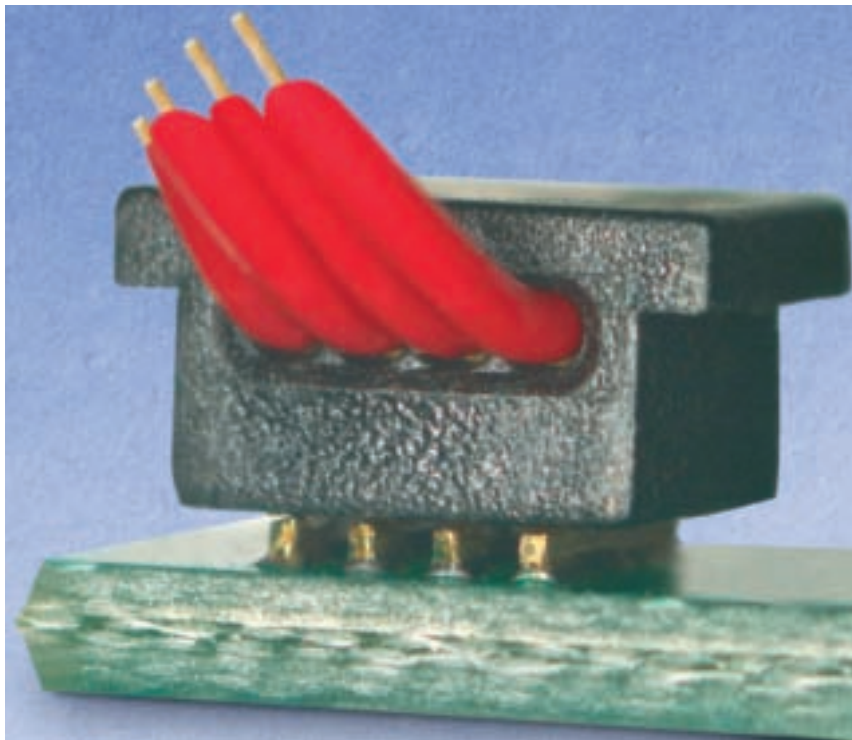


Board Stacking Connectors in Trays



Features and Benefits

- This product features four wire housing holes and four individual piercing blades that can accommodate from 32 to 26 AWG solid, stranded, or tinsel wire.
- It eliminates the need to solder wires to the PCB.
- Four wires can be terminated simultaneously without being stripped first.
- A more durable wire connection is assured.
- The Fine Wire Connector uses minimal PCB real estate.
- The plastic housing resists high reflow temperatures and provides excellent wire protection.
- It can be automatically fed using standard tape and reel.



Another product in Zierick's growing line of insulation piercing connectors is the Surface Mount Fine Wire Connector. This connector offers a cost-efficient, reliable solution for solid, stranded or tinsel wire terminations. By allowing reliable one-step multiple wire termination within a plastic housing, the connector reduces assembly costs and provides a more durable wire connection.

Design

Zierick's Fine Wire Connector design builds on Insulation Piercing Connector (IPC) technology, which is the ideal method for wire termination. IPC technology allows multiple wires to be terminated simultaneously without being stripped first. This fine wire IPC connector features

a unique design of four wire housing holes and four individual piercing blades that can accommodate solid, stranded or tinsel wire. The piercing blades are made to go in one direction only and maintain a continuous force on each wire. Its durable plastic housing provides excellent wire retention.

Assembly Process

First, these IPC connectors are surface mounted to the PCB. After reflow, the insulated wires are inserted into the holes of the housing. Force is then applied to the top of the plastic housing and the piercing blades cut through the insulation and penetrate into the wire core—completing the wire connection process.

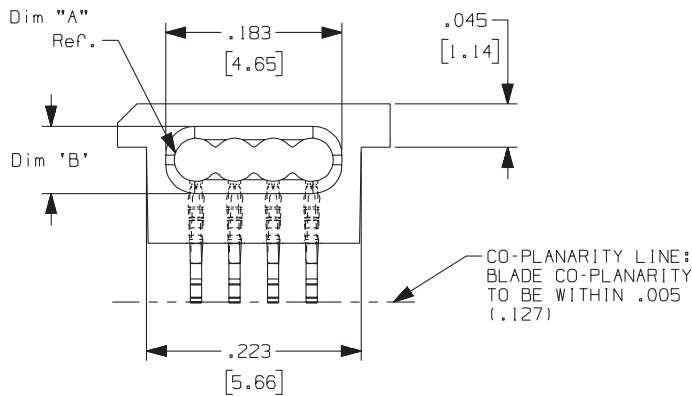
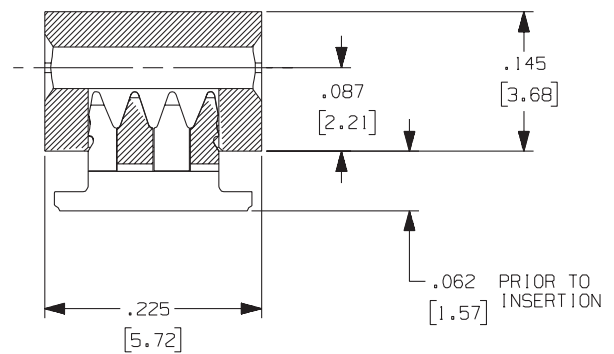
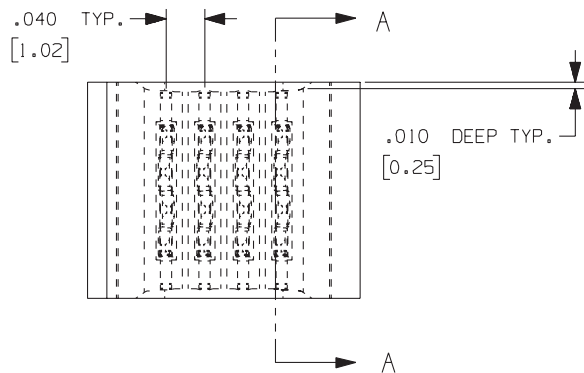


Zierick's Fine Wire Connectors can efficiently terminate a number of wires all at once. The reliability of the connector assures wire retention and eliminates the need to solder wires directly to the PCB. The piercing blades accommodate solid, stranded or tinsel wire, and are designed to maintain a continuous force on each wire.

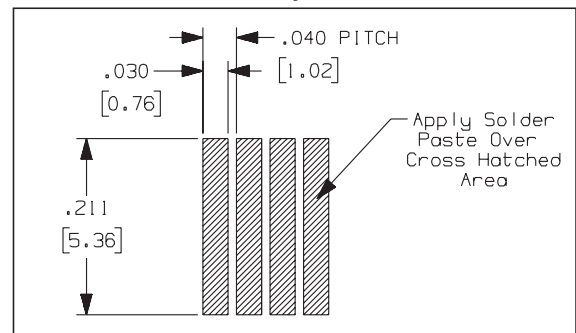
**Part Numbers
IPC-4-35, IPC-4-35-T,
IPC-4-35-T-SR,
IPC-4-45, IPC-4-45-T,
IPC-4-45-T-SR**

Zierick recommends .006" stencil thickness for most applications. For other stencil thicknesses, call Zierick's product development department.

Physical	
Loose Part No.	IPC-4-35 IPC-4-45
Taped Part No.	IPC-4-35-T IPC-4-45-T
Small Reel Part No.	IPC-4-35-T-SR IPC-4-45-T-SR
Wire Accommodation	From 32 AWG to 28 AWG solid, stranded or tinsel wire; with insulation diameter of 0.025" - 0.032" From 32 AWG to 26 AWG solid, stranded or tinsel wire; with insulation diameter of 0.033" - 0.043" IPC-4-45 has an ID chamfer in the plastic housing.
Contact Plating	0.000150" Min 100% Tin over .000100 Min Copper
Termination Force	Approx. 80 lbs (for 4 wire)
Insulation Material	PPS GS-40 40% glass filled
Contact Material	CDA 260 Brass
UL Flammability Rating	94V-0
Electrical	
Current Rating/Wire Size	28 AWG 2 Amp., 30-32 AWG 2 Amp.
Insulation Resistance	> 1 x 10 ⁹ Ω @ 500 VDC
Contact Resistance	< 20 mΩ
Withstanding Voltage	500 VRMS @ Sea Level
Environmental	
Reflow Temperature	500°F Max, 260°C Max
Operating Temperature	-67°F to 221°F, (-55°C to 105°C)
U.S. Patent No. 7,320,616	

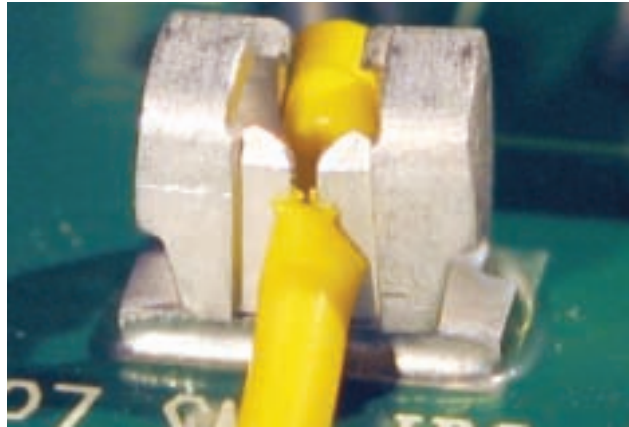


Recommended Solder Pad Geometry



Features and Benefits

- IDCs are designed for demanding applications with shock, vibration, and elevated temperatures.
- The need for hand soldering wires to the board is eliminated.
- They are a surface mount version of a proven through-hole IDC.
- They have a low profile.
- They terminate a large range of wire gauges.
- IDCs don't float during reflow.
- Zierick's IDCs are designed for automation using the customer's existing pick and place equipment and a standard tape feeder.



Zierick's Surface Mount IDC was designed to be a more cost effective way to terminate a wire because it eliminates the need for hand

soldering wires to the PCB. It was also designed to be automated by the customer's existing pick and place equipment using standard taping methods. This is a surface mount version of a proven through-hole connector. It is re-usable, has a low profile, and is geographically stable. Our family of SMT IDCs can terminate a large range of stranded or solid wire gauges.

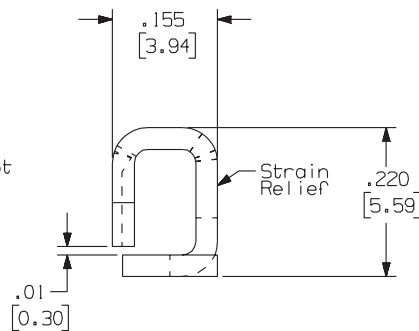
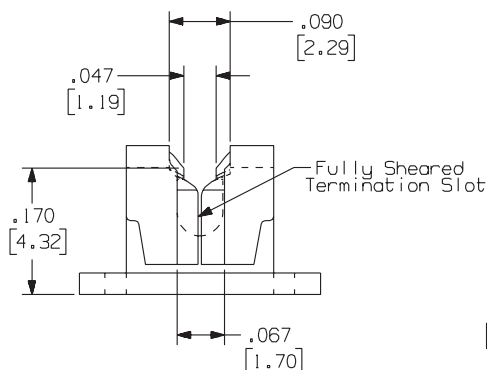
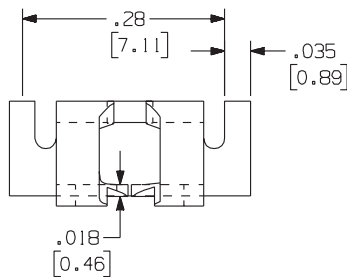
It has a proven track record for withstanding shock and vibrations associated with automotive applications.

The Reverse Mount IDC was designed for through-board applications where the wires must be connected on the side opposite the other components on the PCB.

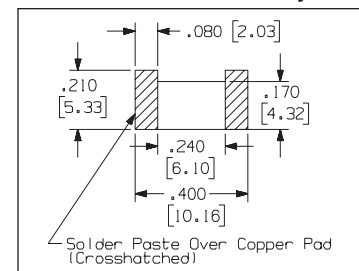
Part Numbers 1227, 6227

Zierick recommends .006" stencil thickness for most applications. For other stencil thicknesses, call Zierick's product development department.

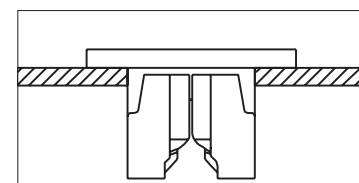
Loose Part No.	1227
Reeled Part No.	6227
Material Thickness / Type	0.032" (0.81mm) Brass
Standard Finish	100% Tin over Copper
Current Rating	20 Amperes
Feeder System	Surf-Shooter SMT™ Continuous Strip Feeder
Wire Gauge Range	#26-18 AWG Wire insertion tool required. Consult factory.
	U.S. Patent No. 5,695,348 and other international patents



Recommended Solder Pad Geometry

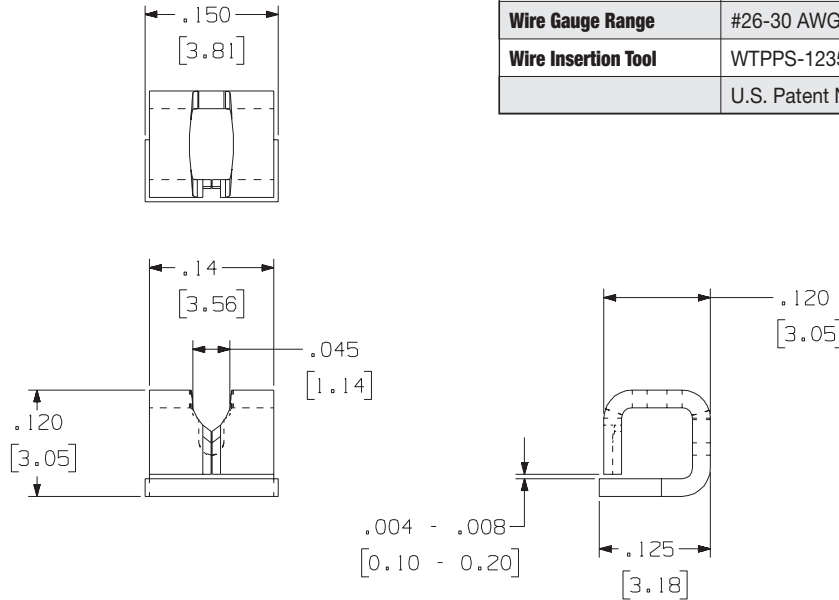


Actual Use



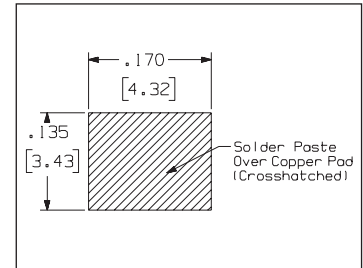
Part Numbers
1235, 1235T, 1235T-SR

Zierick recommends .006" stencil thickness for most applications. For other stencil thicknesses, call Zierick's product development department.



Loose Part No.	1235	
Taped Part No.	1235T	1235T-SR
Material Thickness / Type	0.020" (0.51mm) Brass	
Standard Finish	100% Tin over Copper	
Current Rating	20 Amperes	
Feeder System	N/A	Standard 12mm Tape Feeder
Wire Gauge Range	#26-30 AWG	
Wire Insertion Tool	WTPPS-1235-1: Pnuematic Production Tool	
	U.S. Patent No. 5,695,348 and other international patents	

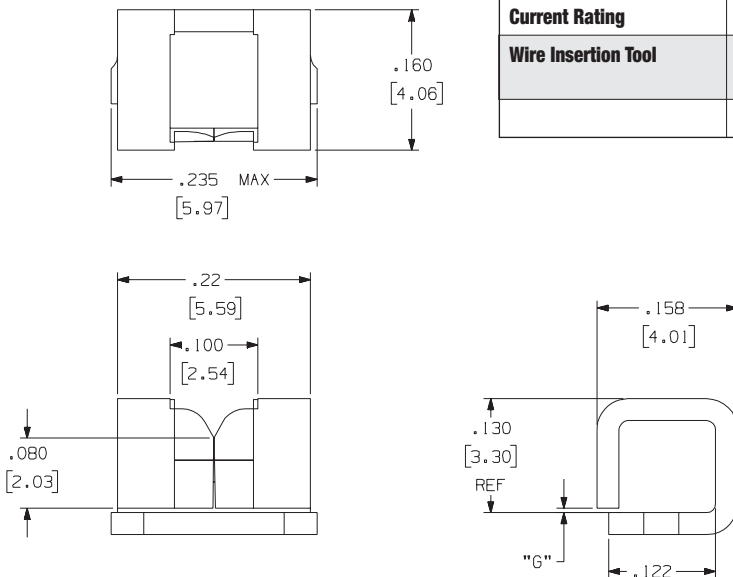
Recommended Solder Pad Geometry



For drawings of our taped parts, please search for this part number on our website, www.zierick.com.

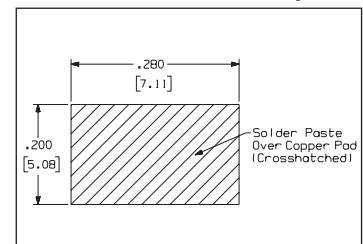
Part Numbers
1245, 1245T, 1245T-SR,
1296, 1296T

Zierick recommends .006" stencil thickness for most applications. For other stencil thicknesses, call Zierick's product development department.



Loose Part No.	1245	1296	
Taped Part No.	1245T	1245T-SR	1296T
Gap Dimension "G"	0.005" (0.13mm)		0.005 - 0.013" (0.13 - 0.33mm)
Material Thickness / Type	0.025" (0.64mm) Brass		
Standard Finish	100% Tin over Copper		
Feeder System	Standard 12mm Tape Feeder		
Wire Gauge Range	#26-18 AWG		
Current Rating	10 Amperes		
Wire Insertion Tool	WTP-4ALL: Prototype Tool WTPPS-1208-1: Pnuematic Production Tool		
	U.S. Patent No. 5,695,348 and other international patents		

Recommended Solder Pad Geometry



For drawings of our taped parts, please search for this part number on our website, www.zierick.com.

Features and Benefits

- This Zierick product is the most economical way to terminate wire to a surface mount board.
- It has a very small footprint.
- It is capable of carrying high current.
- No separate strain relief is required.
- It has a high resistance to wire flexing and axial and radial pull forces.
- It lends itself to high speed automated termination.
- Designed to be bulk fed with a special feeder, thus eliminating the need for costly taping.
- It is also available in taped format for low volume users.



This method of termination combines the advantages of crimping, insulation piercing, and surface mount technology into a highly reliable and economical way to terminate wires. The system consists of a surface mount terminal and a crimping machine which makes the termination.

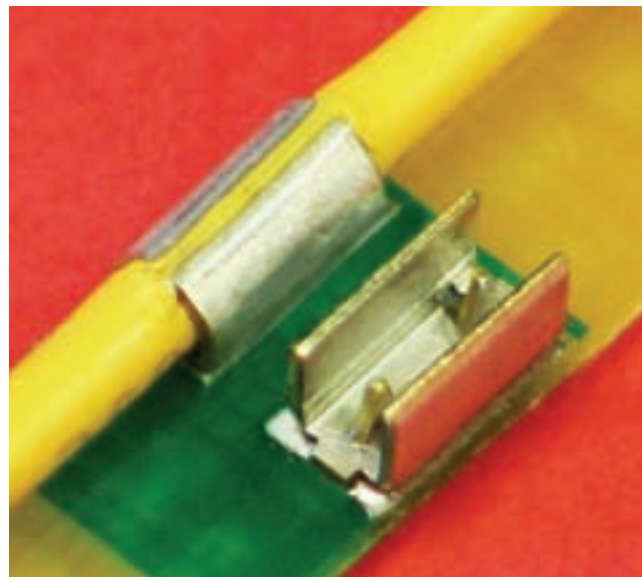
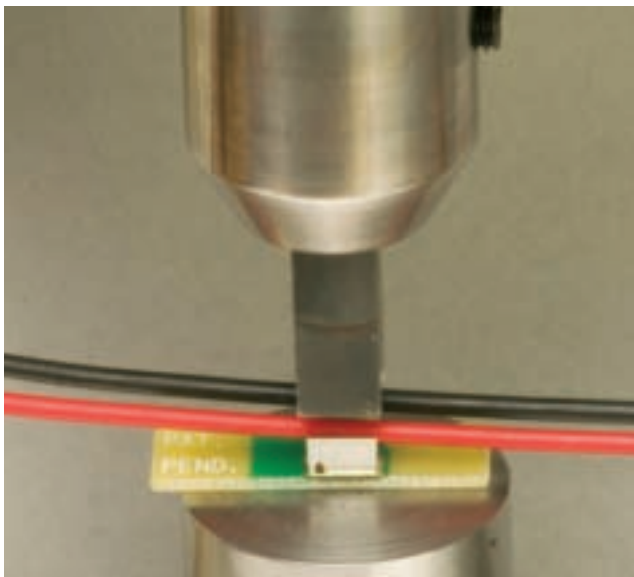
The terminal has a flat base and two side walls perpendicular to the base. Two insulation piercing

contact spikes protrude from the flat base. Between the contact spikes there is a flat area to facilitate vacuum pick-up and terminal placement. There are two deep score lines near the transition area between the side wall and the base of the terminal.

Compared to conventional methods, this system is less expensive than a two piece pin/socket connection or an IDC (*insulation displacement*

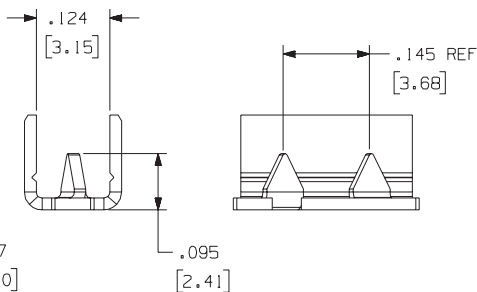
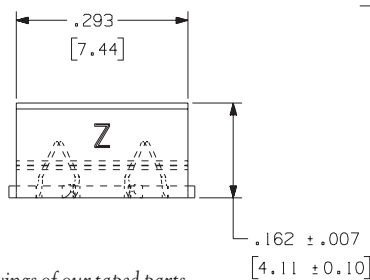
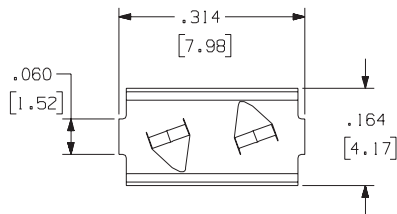
connector) type of connection which provides strain relief. It is also more cost effective than soldering wires to a board by hand. In comparison, it also takes up very little area on the pcb.

The utilization of well proven crimping and insulation piercing technology guarantees the long term reliability of this connection.



**Part Numbers
1293, 1293T, 1293T-SR**

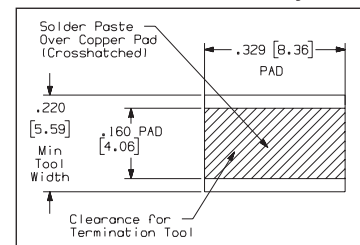
Zierick recommends .006" stencil thickness for most applications. For other stencil thicknesses, call Zierick's product development department.



For drawings of our taped parts, please search for this part number on our website, www.zierick.com.

Loose Part No.	1293		
Taped Part No.	1293T		
Small Reel Part No.	1293T-SR		
Wire Sizes (For Stranded Wire)	12 AWG	14 AWG	16 AWG
(Insulation Outside Diameter)	.125 in.	.111 in.	.130 in.
Material Thickness / Type	0.020" (0.51mm) Pre-Plated Brass		
Standard Finish	Pre-finished 100% Matte Tin over Copper. Edges will be bare.		
Feeder System	Standard 16mm Tape Feeder for PN 1293T		
Crimping System	Mini Press (for high volume applications) Versa-Crimp (for low volume applications) WTC-1293-1 (for low volume and/or field terminations)		
	U.S. Patent No. 7,591,666 B2 and other U.S. and international patents		

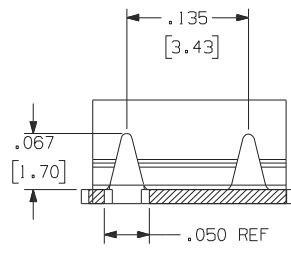
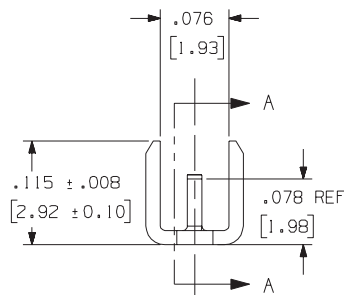
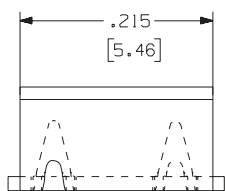
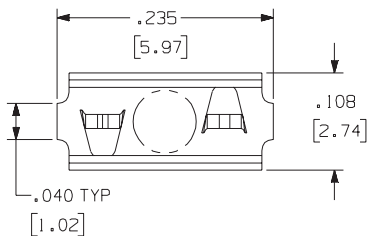
Recommended Solder Pad Geometry



Note: For side by side placement consult factory for center-to-center spacing.

**Part Numbers
1286, 1286T, 1286T-SR**

Zierick recommends .006" stencil thickness for most applications. For other stencil thicknesses, call Zierick's product development department.

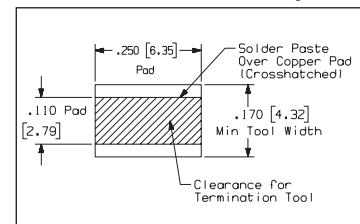


SECTION A-A

For drawings of our taped parts, please search for this part number on our website, www.zierick.com.

Loose Part No.	1286						
Taped Part No.	1286T						
Small Reel Part No.	1286T-SR						
Wire Sizes (For Stranded Wire)	16 AWG	18 AWG					20 AWG
(Insulation Outside Diameter)	.077 in.	.068 in.	.078 in.	.080 in.	.068 in.	.073 in.	.082 in.
Material Thickness / Type	0.016" (0.41mm) CDA 260 Brass						
Standard Finish	Pre-finished 100% Matte Tin over Copper. Edges will be bare.						
Feeder System	Standard 12mm Tape Feeder for PN 1286T						
Crimping System	Mini Press (for high volume applications) Versa-Crimp (for low volume applications) WTC-1286-1 (for low volume and/or field terminations)						
	U.S. Patent No. 7,591,666 B2 and other U.S. and international patents						

Recommended Solder Pad Geometry



Note: For side by side placement consult factory for center-to-center spacing.

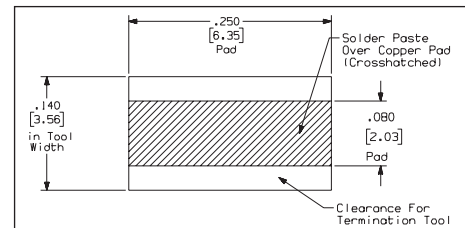
Part Numbers
1295, 1295T, 1295T-SR

Zierick recommends .006" stencil thickness for most applications. For other stencil thicknesses, call Zierick's product development department.

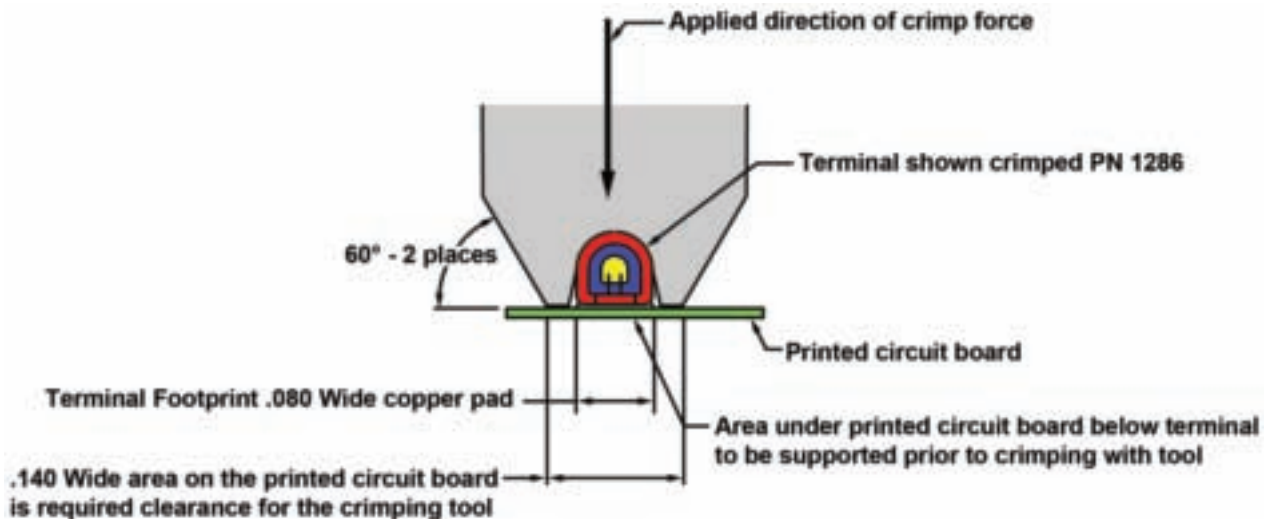
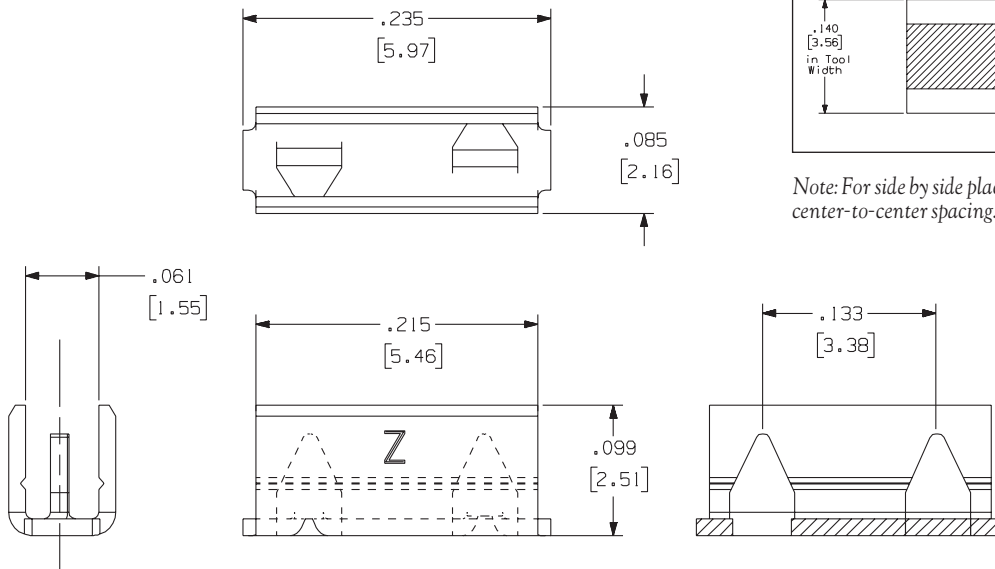
For drawings of our taped parts, please search for this part number on our website, www.zierick.com.

Loose Part No.	1295				
Taped Part No.	1295T				
Small Reel Part No.	1295T-SR				
Wire Sizes (For Stranded Wire)	20 AWG		22 AWG		
(Insulation Outside Diameter)	.045 in.	.050 in.	.061 in.	.053 in.	.058 in.
Material Thickness / Type	0.012" (0.30mm) Pre-Plated Brass				
Standard Finish	Pre-finished 100% Matte Tin over Copper. Edges will be bare.				
Feeder System	Standard 16mm Tape Feeder				
Crimping System	Mini Press (for high volume applications) Versa-Crimp (for low volume applications) WTC-1295-1 (for low volume and/or field terminations)				
	U.S. Patent No. 7,591,666 B2 and other U.S. and international patents				

Recommended Solder Pad Geometry



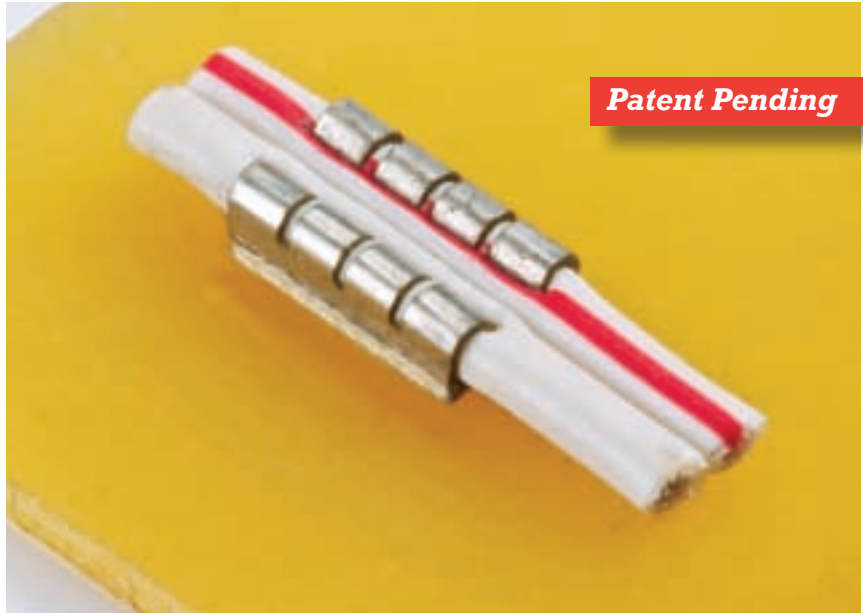
Note: For side by side placement consult factory for center-to-center spacing.



**Part Number
1300-T**

Features and Benefits

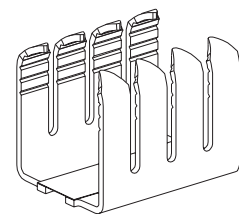
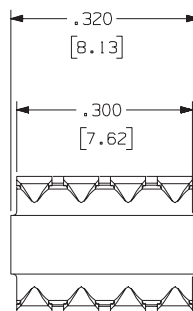
- This Zierick product is one of the most economical ways to terminate wire to a surface mount board.
- Part placement can be automated.
- It has high resistance to shock and vibration.
- There is no need to strip the cord.
- The wire is terminated by using a Zierick crimping press.
- The part is available in taped format.



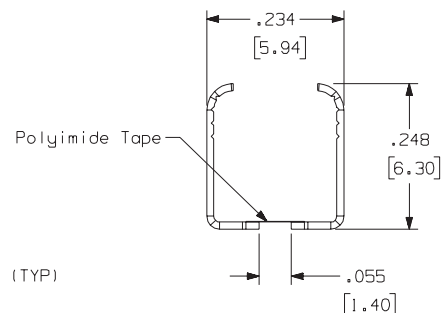
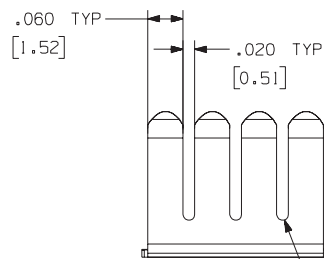
This Surface Mount Zip Cord connector is comprised of two identical parts, turned so the connector spikes face each other. The parts are held in the correct configuration for the AWG of the Zip Cord, and placed in Tape Pockets for easy nozzle pick-up.

Taped Part No.	1300-T
Wire Size	Approximately .100"x.200" 18 AWG paired conductor wire
Material Thickness / Type	.012 CDA-260 Brass
Standard Finish	Pre-finished 100% Matte Tin over Copper. Edges will be bare.
Crimping System	MP-1000 Crimping Machine (for high volume applications) Versa-Crimp (for low volume applications)
Feeder System	Standard 24mm Tape Feeder

Zierick recommends .006" stencil thickness for most applications.
For other stencil thicknesses, call Zierick's product development department.



Because of the variations of the outside diameter of the insulation and the diameter of the conductor, it is highly recommended that each wire be tested to insure a proper connection to the wire. Current rating is dependent on wire sizes. Consult factory. See the website for all pad layouts and new part numbers for different wire gauges.



Part Numbers 1302, 1302-2-HDR, 1302-2-HDR-T, 6302

Patent Pending



Features and Benefits

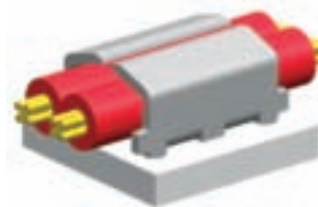
- This Zierick product is one of the most economical ways to terminate wire to a printed circuit board.
- Part placement can be automated.
- It has high resistance to shock and vibration.
- There is no need to strip the wire.
- The wire is terminated by using a Zierick crimping press.
- It is also available in taped format and taped header format for low volume users.

Loose Part No.	1302	1302-2-HDR
Reeled Part No.	6302	
Taped Part No.	1302-2-HDR-T	
Wire Size	Approximately .100" Thick x .200" Wide	
Material Thickness / Type	.020 CDA-260 Brass	
Standard Finish	Pre-finished 100% Matte Tin over Copper. Edges will be bare.	
Feeder System	SMT Feeder for Loose Piece Terminals Standard 16mm Tape Feeder	
Crimping System	MP-1000 Crimping Machine (for high volume applications) Versa-Crimp (for low volume applications)	

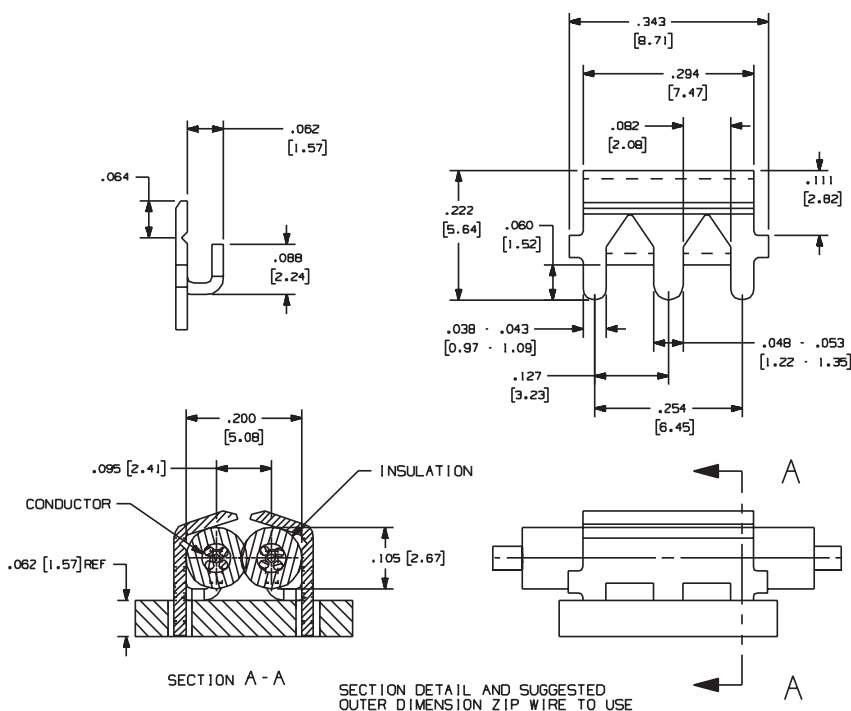
Zierick recommends .006" stencil thickness for most applications.
For other stencil thicknesses, call Zierick's product development department.

This Surface Mount Zip Cord connector is comprised of two identical parts, turned so the connector spikes face each other. The parts are placed into plated through-holes and can be used in either a conventional Surface Mount or Through-Hole Technology process.

In the Surface Mount process, a Zierick feeder can separate one part from a strip of parts and present each to a pick and place machine using a gripper. For Through-Hole applications, a Zierick THT Assembly System can quickly insert these parts directly onto the PCB. The utilization of well proven crimping and insulation piercing technology guarantees the long term reliability of this connection.



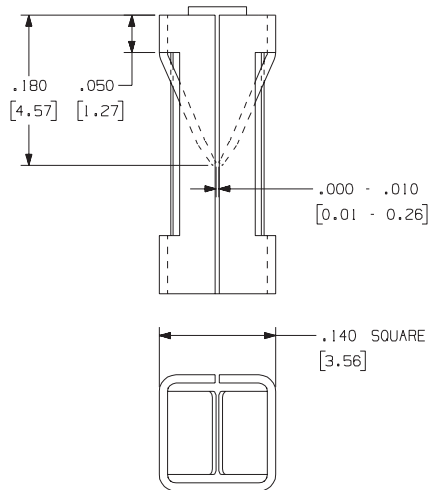
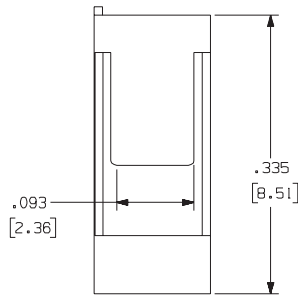
Because of the variations of the outside diameter of the insulation and the diameter of the conductor, it is highly recommended that each wire be tested to insure a proper connection to the wire. Current rating is dependent on wire sizes. Consult factory. See the website for all pad layouts and new part numbers for different wire gauges.



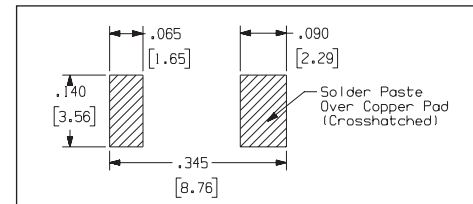
Part Numbers
1262, 6262, 1262T,
1262T-SR, 1262TH

Zierick recommends .006" stencil thickness for most applications. For other stencil thicknesses, call Zierick's product development department.

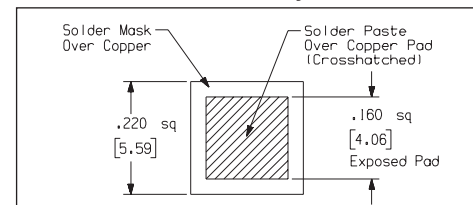
Loose Part No.	1262		
Reeled Part No.	6262		
Taped Part No.	1262T	1262T-SR	1262TH
Mating Terminal Size	0.025" (0.64mm) square or 0.032" (0.81mm) round pin		
Material Thickness / Type	0.010" (0.25mm) Phosphor Bronze		
Standard Finish	100% Tin over Copper		
Current Rating	20 Amperes		
Feeder System	Surf-Shooter SMT™ Continuous Strip Feeder Standard 24mm Tape Feeder for PN 1262T and PN 1262TH		



Recommended Solder Pad Geometry for Horizontal Mount



Recommended Solder Pad Geometry for Vertical Mount

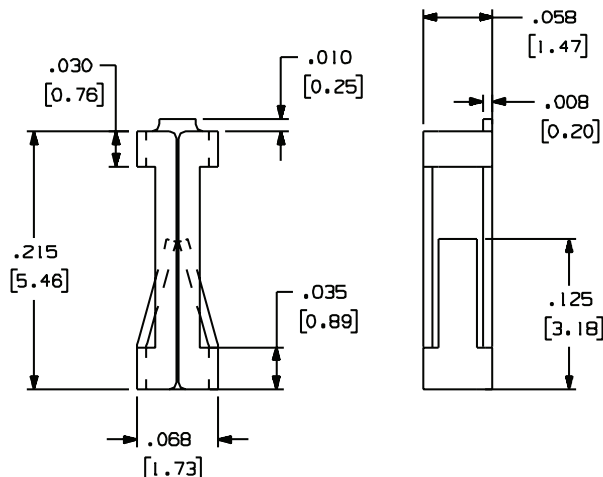


For drawings of our taped parts, please search for this part number on our website, www.zierick.com.

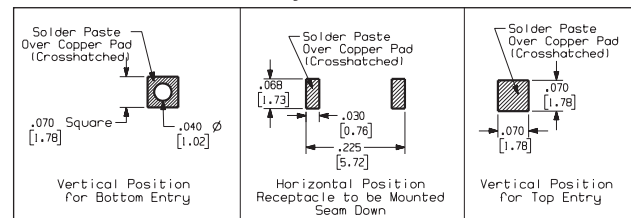
Part Numbers
1301, 1301TH, 6301

Zierick recommends .006" stencil thickness for most applications. For other stencil thicknesses, call Zierick's product development department.

Loose Part No.	1301		
Reeled Part No.	6301		
Taped Part No.	1301TH		
Mating Terminal Size	0.025" (0.64mm) square or 0.025" (0.64mm) round pin		
Material Thickness / Type	.008" (0.20mm) Phosphor Bronze		
Standard Finish	100% Tin over Copper		
Current Rating	10 Amperes		
Feeder System	Surf-Shooter SMT™ Continuous Strip Feeder Standard 24mm Tape Feeder for PN 1301TH		



Recommended Solder Pad Geometry

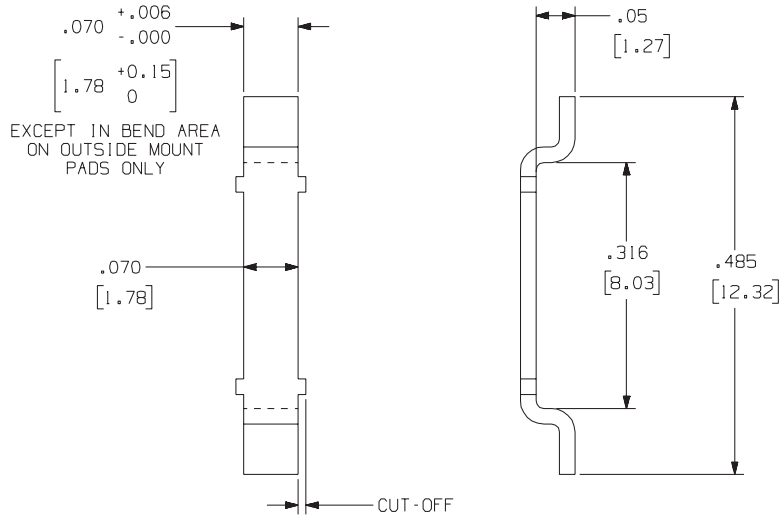


For drawings of our taped parts, please search for this part number on our website, www.zierick.com.

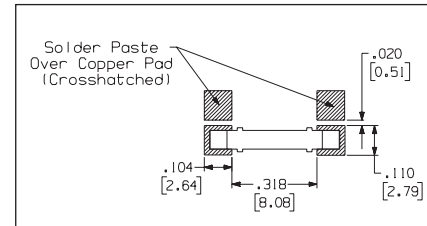
Part Numbers 1179, 1179T, 1179T-SR, 6179

Zierick recommends .006" stencil thickness for most applications. For other stencil thicknesses, call Zierick's product development department.

Loose Part No.	1179	1179T	1179T-SR
Reeled Part No.	6179	N/A	
Material Thickness / Type	0.020" (0.51mm) CDA 11000 Copper		
Standard Finish	100% Tin over Copper		
Current Rating	25 Amperes		
Feeder System	Surf-Shooter SMT™ Continuous Strip Feeder	Standard 24mm Tape Feeder	



Recommended Solder Pad Geometry



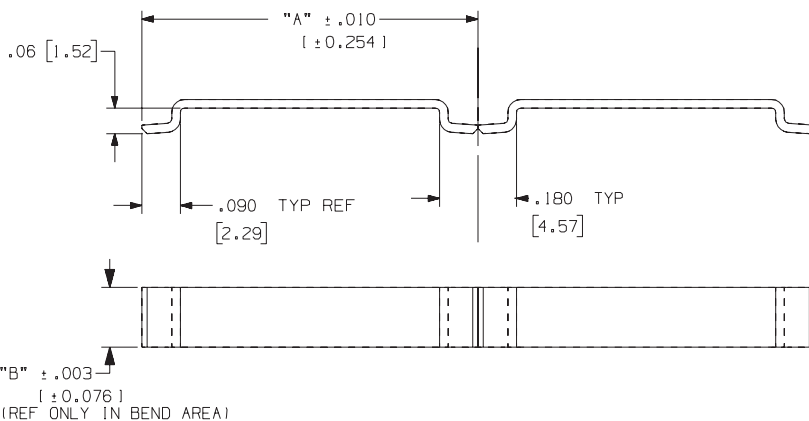
For drawings of our taped parts, please search for this part number on our website, www.zierick.com.

Part Numbers 6233-001, 6233-002, 6233-310-140, 6233-585-200, 6233-787-140, 6233-787-140-T

Zierick recommends .006" stencil thickness for most applications. For other stencil thicknesses, call Zierick's product development department.

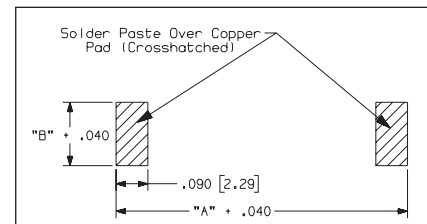
Reeled Part No.	6233-001	6233-002	6233-310-140	6233-585-200	6233-787-140
Taped Part No.	6233-787-140-T				
Dim 'A' **	0.300" (7.62mm)	0.485" (12.3mm)	1.500" (38.1mm)	0.585" (14.9mm)	0.787" (20.0mm)
Dim 'B' **	0.075" (1.91mm)	0.075" (1.91mm)	0.075" (1.91mm)	0.200" (5.08mm)	0.140" (3.56mm)
Material Thickness / Type	0.020" (0.51mm) Copper				
Standard Finish	100% Tin Over Copper				
Feeder System	Standard 24mm Tape Feeder				

	Dim 'A' **	Dim 'B' **
Minimum	0.300" (7.62mm)	0.075" (1.91mm)
Maximum	1.500" (38.1mm)	0.200" (5.08mm)



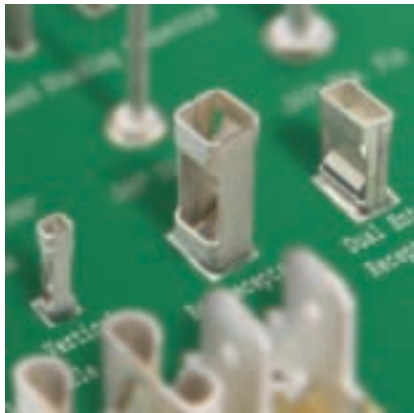
*Where Dimension 'A' = jumper length and Dimension 'B' = jumper width. Different lengths and widths are available. Please consult factory.

Recommended Solder Pad Geometry



For drawings of our taped parts, please search for this part number on our website, www.zierick.com.

Zierick's family of SMT receptacles provides a range of options designed to lower manufacturing costs, simplify assembly, and increase



Box Receptacles

productivity. Zierick has expanded its Surface Mount product line to include Universal Tab Receptacles, Box Receptacles, Clips, and Bottom



Fuse Clips

Entry Through-Board Sockets, increasing the options for flexibility and compatibility.



Universal Tab Receptacles Fuse Clips

SMT Universal Tab Receptacles

Features and Benefits

- These receptacles are forgiving for mating misalignment.
- They mate with a range of tabs from .025" to .032" thick and widths from .110" wide and larger.
- They have low insertion forces.
- They have a high current rating of 30 Amps.
- They can have a dozen mating cycles (a higher mating cycle version is available).
- This product performs well in demanding automotive applications (shock, vibration, elevated temperature).
- They may be used for top, bottom, or side entry.



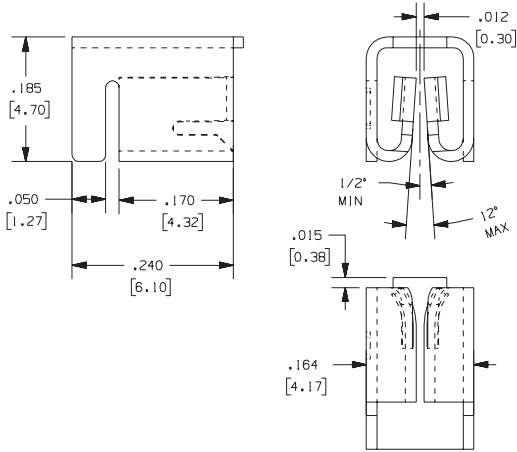
- They are designed for automation using the customer's existing pick and place equipment and a special feeder for a continuous strip of components.

- These parts can also be automatically "picked and placed" from tape and reel.

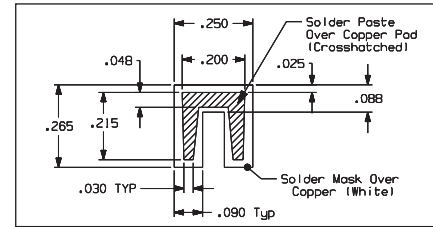
Part Numbers
1237, 1237T, 1237T-SR,
1237-BMT, 1237-BMT-SR,
1237T-KT,
1237T-KT-SR,
1237-BMT-KT,
1237-BMT-KT-SR,

Zierick recommends .006" stencil thickness for most applications. For other stencil thicknesses, call Zierick's product development department.

Loose Part No.	1237			
Reeled Part No.	6237			
Taped Part No.	1237T 1237T-SR	1237-BMT 1237-BMT-SR	1237T-KT 1237T-KT-SR	1237-BMT-KT 1237-BMT-KT-SR
Mating Terminal Size	0.025" (0.64mm) to 0.032" (0.81mm) thick			
Material Thickness / Type	0.016" (0.41mm) Brass			
Standard Finish	100% Tin over Copper			
Current Rating	25 Amperes			
Feeder System	Consult factory for Surf-Shooter SMT™ Continuous Strip Feeder P/N 6237 Standard 16mm Tape Feeder			



Recommended Solder Pad Geometry



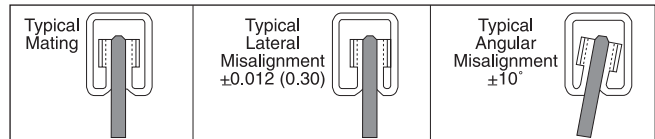
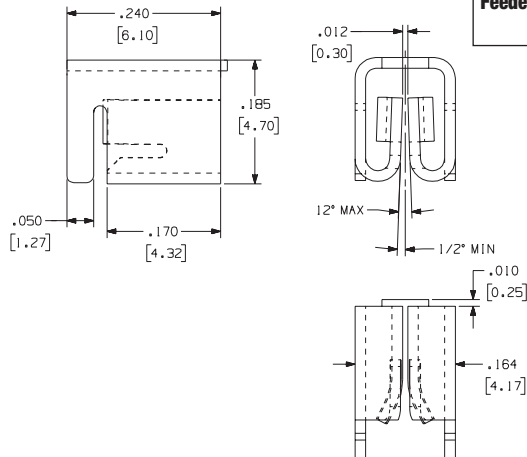
For drawings of our taped parts, please search for this part number on our website, www.zierick.com.

SMT Bottom or Horizontal Entry Universal Tab Receptacles

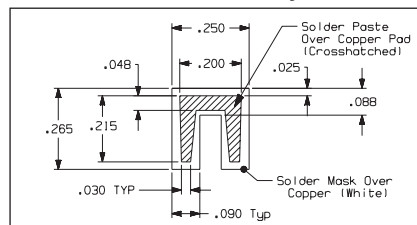
Part Numbers 1238, 1238T,
1238T-SR, 1238-BMT,
1238T-KT
1238T-KT-SR, 6238

Zierick recommends .006" stencil thickness for most applications. For other stencil thicknesses, call Zierick's product development department.

Loose Part No.	1238		
Reeled Part No.	6238		
Taped Part No.	1238T 1238T-SR	1238-BMT	1238T-KT 1238T-KT-SR
Mating Terminal Size	0.025" (0.64mm) to 0.032" (0.81mm) thick		
Material Thickness / Type	0.016" (0.41mm) Brass		
Standard Finish	100% Tin over Copper		
Current Rating	25 Amperes		
Feeder System	Consult factory for Surf-Shooter SMT™ Continuous Strip Feeder P/N 6238 Standard 16mm Tape Feeder		



Recommended Solder Pad Geometry



For drawings of our taped parts, please search for this part number on our website, www.zierick.com.

Features and Benefits

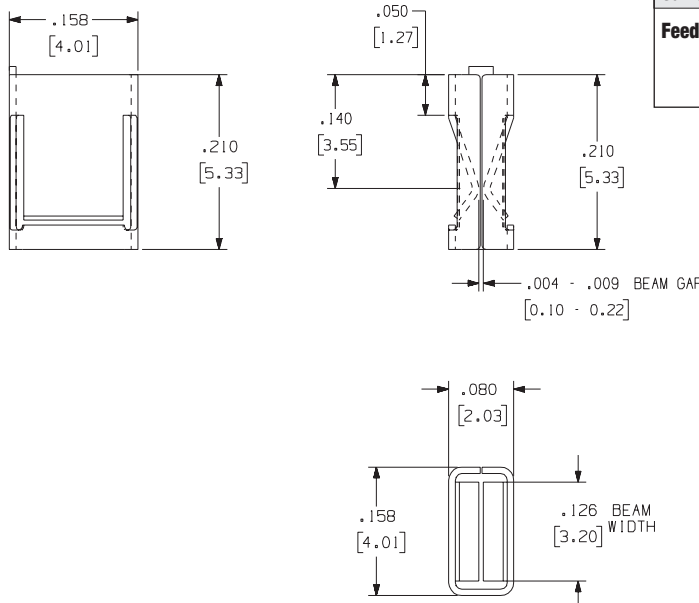
- Zierick's Box contacts offer low insertion forces.
- The high pressure contact area assures a reliable gas tight connection.
- They are forgiving for locational misalignment.
- A dozen mating cycles can be expected (a higher mating cycle version is available).
- They use a small footprint.
- These parts are designed for automation using the customer's existing pick and place equipment and a special feeder for a continuous strip of components.
- These parts can also be automatically "picked and placed" from tape and reel.



SMT Dual Entry Box Receptacle

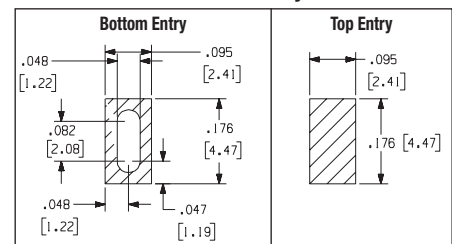
Part Numbers
1266, 6266, 1266-TV,
1266-TV-KT

Zierick recommends .006" stencil thickness for most applications. For other stencil thicknesses, call Zierick's product development department.



Loose Part No.	1266	
Reeled Part No.	6266	
Taped Part No.	1266-TV	1266-TV-KT
Mating Terminal Size	0.020" (0.51mm) to 0.032" (0.81mm) thick	
Material Thickness / Type	0.008" (0.20mm) Phosphor Bronze	
Standard Finish	100% Tin over Copper	
Current Rating	20 Amperes	
Feeder System	Surf-Shooter SMT™ Continuous Strip Feeder Standard 16mm Tape Feeder for PNs 1266-TV and 1266-TV-KT	

Recommended Solder Pad Geometry

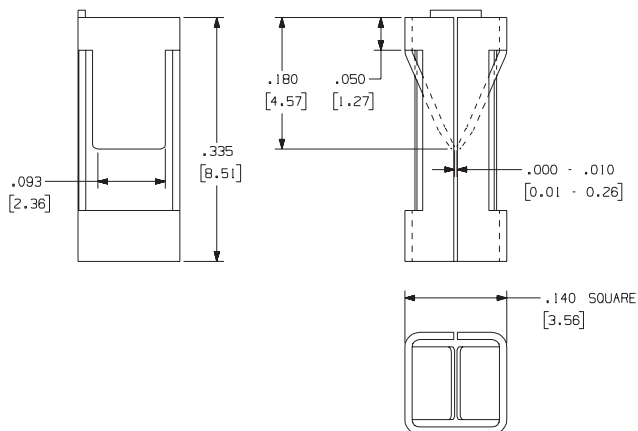


For drawings of our taped parts, please search for this part number on our website, www.zierick.com.

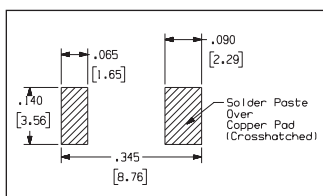
Part Numbers
1262, 6262, 1262T, 1262T-SR, 1262TH

Zierick recommends .006" stencil thickness for most applications. For other stencil thicknesses, call Zierick's product development department.

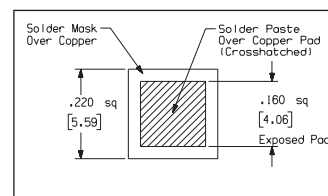
Loose Part No.	1262		
Reeled Part No.	6262		
Taped Part No.	1262T	1262T-SR	1262TH
Mating Terminal Size	0.025" (0.64mm) square or 0.032" (0.81mm) round pin		
Material Thickness / Type	0.010" (0.25mm) Phosphor Bronze		
Standard Finish	100% Tin over Copper		
Current Rating	20 Amperes		
Feeder System	Surf-Shooter SMT™ Continuous Strip Feeder Standard 12mm Tape Feeder for PN 1262T and PN 1262TH		



Recommended Solder Pad Geometry For Horizontal Mount



Recommended Solder Pad Geometry For Vertical Mount

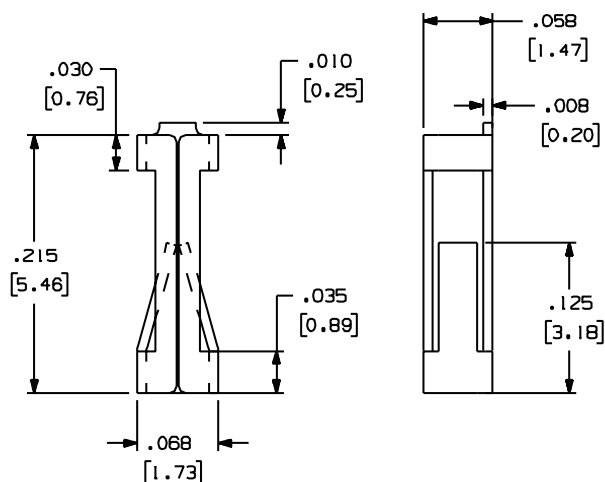


For drawings of our taped parts, please search for this part number on our website, www.zierick.com.

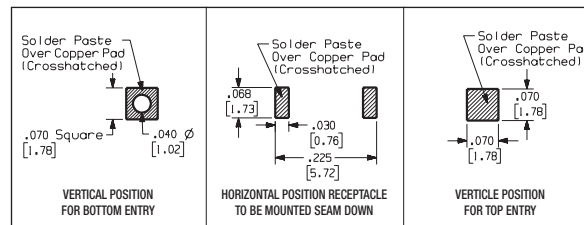
Part Numbers
1301, 1301TH, 6301

Zierick recommends .006" stencil thickness for most applications. For other stencil thicknesses, call Zierick's product development department.

Loose Part No.	1301
Reeled Part No.	6301
Taped Part No.	1301TH
Mating Terminal Size	0.025" (0.64mm) square or 0.025" (0.64mm) round pin
Material Thickness / Type	.008" (0.20mm) Phosphor Bronze
Standard Finish	100% Tin over Copper
Current Rating	10 Amperes
Feeder System	Surf-Shooter SMT™ Continuous Strip Feeder Standard 24mm Tape Feeder for PN 1301TH



Recommended Solder Pad Geometry

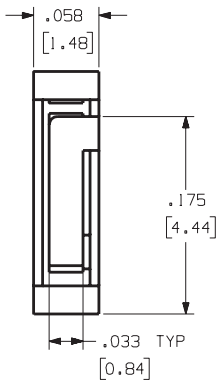
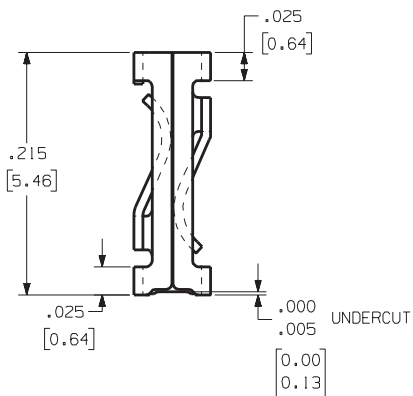


For drawings of our taped parts, please search for this part number on our website, www.zierick.com.

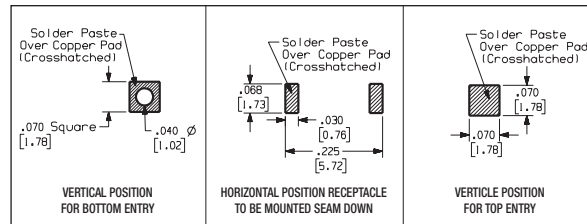
Part Numbers 1277, 6277, 1277-TH, 1277-TH-SR, 1277-TV-G, 1277-TV-G-SR, 1277-TV-N

Zierick recommends .006" stencil thickness for most applications. For other stencil thicknesses, call Zierick's product development department.

Loose Part No.	1277				
Reeled Part No.	6277				
Taped Part No.	1277-TH	1277-TH-SR	1277-TV-G	1277-TV-G-SR	1277-TV-N
Mating Terminal Size	0.025" (0.64mm) square or round pin				
Material Thickness / Type	0.008" (0.20mm) Phosphor Bronze				
Standard Finish	100% Tin over Copper				
Current Rating	10 Amperes				
Feeder System	Loose: Standard 16mm Tape Feeder for PN 1277-TH Reeled: Consult Factory for Feeder Standard 24mm Tape Feeder for PN 1277-TV-G and PN 1277-TV-N				



Recommended Solder Pad Geometry



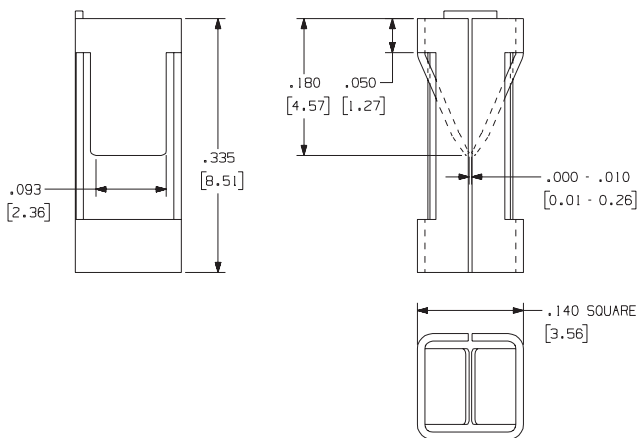
For drawings of our taped parts, please search for this part number on our website, www.zierick.com.

SMT Box Receptacles for High Temp Applications

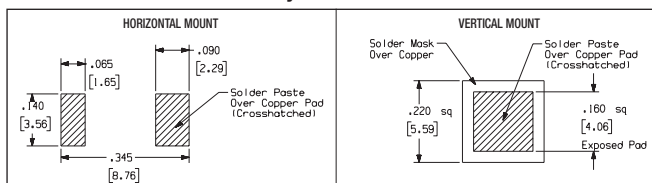
Part Numbers 1275, 6275, 1275T, 1275TH

Zierick recommends .006" stencil thickness for most applications. For other stencil thicknesses, call Zierick's product development department.

Loose Part No.	1275	
Reeled Part No.	6275	
Taped Part No.	1275T	1275TH
Mating Terminal Size	0.025" (0.64mm) and 0.032" (0.81mm) Round or Square	
Mounting Type	Surface Mount	
Material Thickness / Type	0.010" (0.25mm) CDA 70250 High Performance Alloy	
Standard Finish	Loose: 100% Tin over Copper Reeled: 100% Tin over Copper	
Mating Entry	Top and Bottom	
Current Rating	20 Amperes	
Resistance Rating	10mΩ Max	
Temperature Rating	Up to 175°C	
Feeder System	Surf-Shooter SMT™ Continuous Strip Feeder Standard 24mm Tape Feeder	



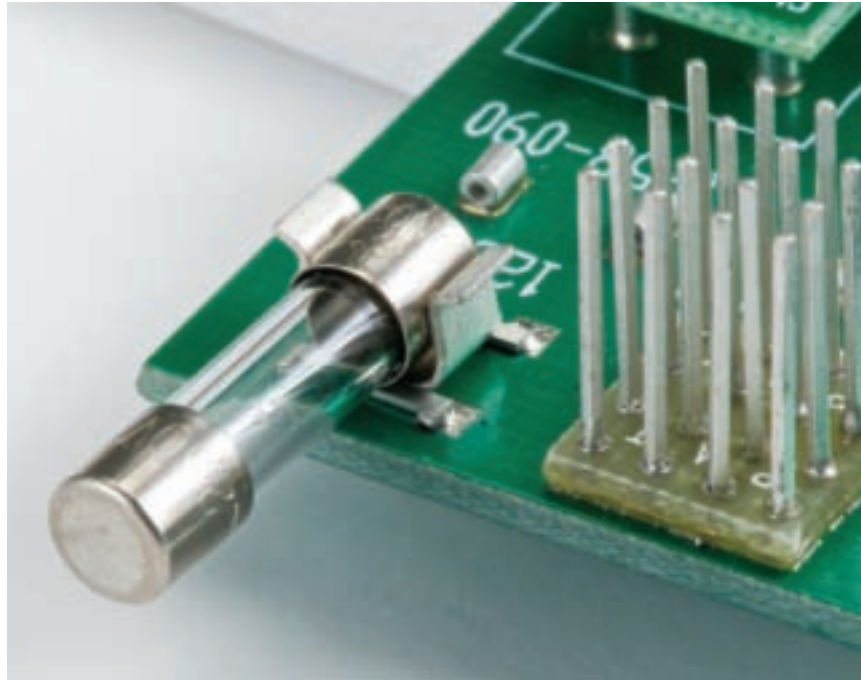
Recommended Solder Pad Geometry



For drawings of our taped parts, please search for this part number on our website, www.zierick.com.

Features and Benefits

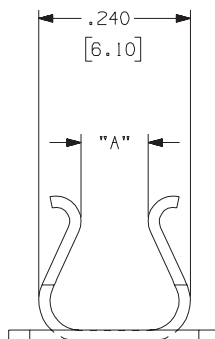
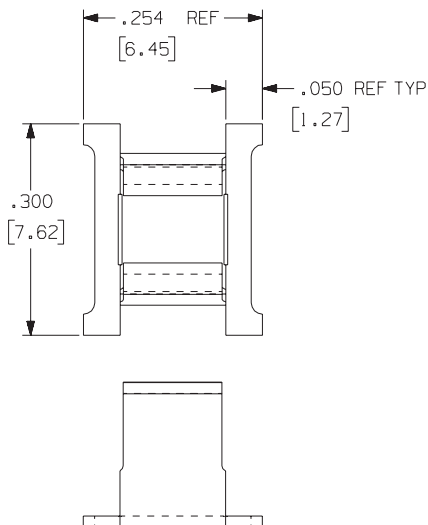
- Individual clips can be randomly placed.
- Clips don't float during reflow.
- Clips are available in two gap widths - 0.165" gap for use with standard 5mm fuses and 0.095" gap for use as a 1/8" (.125") pin receptacle.
- The gap dimension / contact force can be optimized for specific applications depending on mating cycles, voltage current and operating environment.
- It has a suitable force for fuse retention.
- Clips are designed for automation using the customer's existing pick and place equipment and a special feeder for a continuous strip of components.
- These parts can also be automatically "picked and placed" from tape and reel.



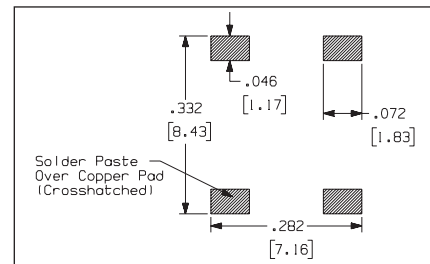
Part Numbers 1230, 1230T, 1230T-SR, 1184, 1184T, 6230, 6184

Zierick recommends .006" stencil thickness for most applications. For other stencil thicknesses, call Zierick's product development department.

	5mm Fuse	Clip Connector
Loose Part No.	1230	1184
Reeled Part No.	6230	6184
Taped Part No.	1230T 1230T-SR	1184T
Dim 'A'	0.165" (4.19mm)	0.090" (2.29mm)
Material Thickness / Type	0.016" (0.41mm) Phosphor Bronze	
Standard Finish	100% Tin over Copper	
Current Rating	15 Amperes	
Feeder System	Surf-Shooter SMT™ Continuous Strip Feeder Standard 16mm Tape Feeder	
	U.S. Patent Nos. 5,695,348, 5,730,608 and other U.S. and international patents	



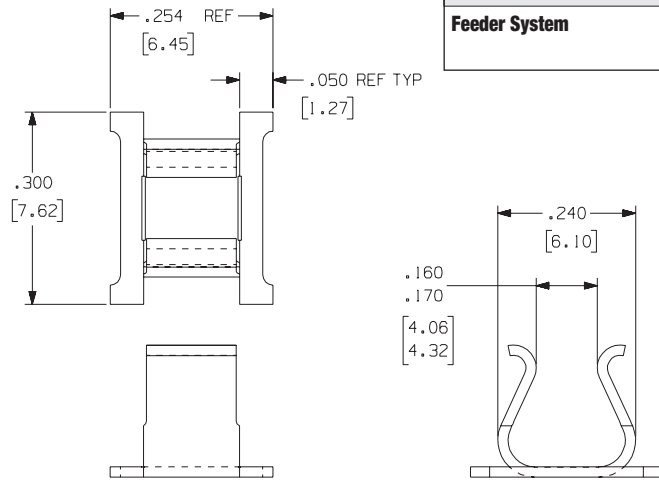
Recommended Solder Pad Geometry



For drawings of our taped parts, please search for this part number on our website, www.zierick.com.

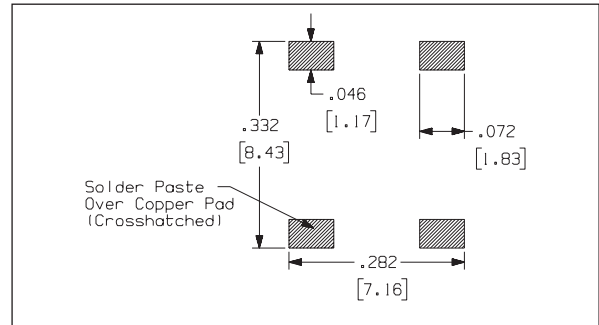
Part Numbers 1230, 1230T, 1230T-SR, 6230

Zierick recommends .006" stencil thickness for most applications. For other stencil thicknesses, call Zierick's product development department.



Loose Part No.	1230		
Reeled Part No.	6230		
Taped Part No.	1230T	1230T-SR	
Dim 'A'	0.165" (4.19mm)		
Material Thickness / Type	0.016" (0.41mm) Phosphor Bronze		
Standard Finish	100% Tin over Copper		
Current Rating	15 Amperes		
Feeder System	Surf-Shooter SMT™ Continuous Strip Feeder Standard 16mm Tape Feeder		

Recommended Solder Pad Geometry

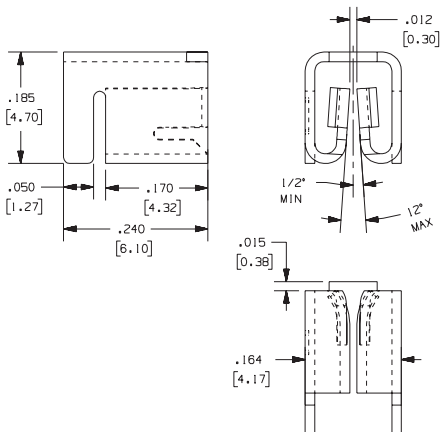


For drawings of our taped parts, please search for this part number on our website, www.zierick.com.

Auto Fuse Receptacles

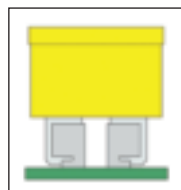
Part Numbers 1237, 1237T, 1237T-SR, 1237-BMT, 1237-BMT-SR, 1237T-KT, 1237T-KT-SR, 1237-BMT-KT, 1237-BMT-KT-SR

Zierick recommends .006" stencil thickness for most applications. For other stencil thicknesses, call Zierick's product development department.

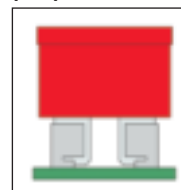


Loose Part No.	1237			
Reeled Part No.	6237			
Taped Part No.	1237T 1237T-SR	1237-BMT 1237-BMT-SR	1237T-KT 1237T-KT-SR	1237-BMT-KT 1237-BMT-KT-SR
Mating Terminal Size	0.025" (0.64mm) to 0.032" (0.81mm) thick			
Material Thickness / Type	0.016" (0.41mm) Brass			
Standard Finish	100% Tin over Copper			
Current Rating	25 Amperes			
Feeder System	Consult factory for Surf-Shooter SMT™ Continuous Strip Feeder P/N 6237 Standard 16mm Tape Feeder			
	U.S. Patent No. 5,730,608			

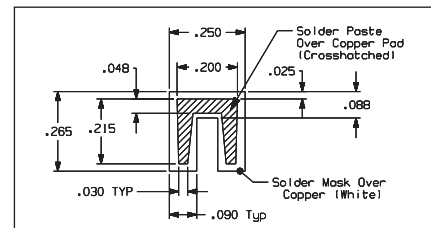
Optional use as Mini-Fuse Holder



Optional use as ATC (Auto) Fuse Holder



Recommended Solder Pad Geometry



For drawings of our taped parts, please search for this part number on our website, www.zierick.com.

Features and Benefits

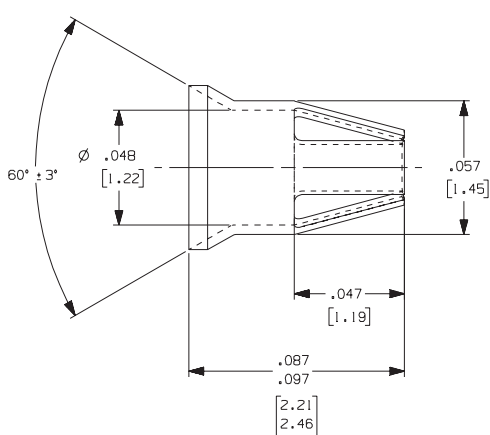
- Our Through-Board Sockets are designed to handle a high current, up to 7 Amps, depending on the application.
- They have a small footprint.
- They have a low profile.
- Their superior capacity accommodates either power or signal connection (with appropriate plating).
- The Sockets offer a high number of mating cycles.
- They are available in tape or bulk.
- They are ideal for demanding environments and high density applications.



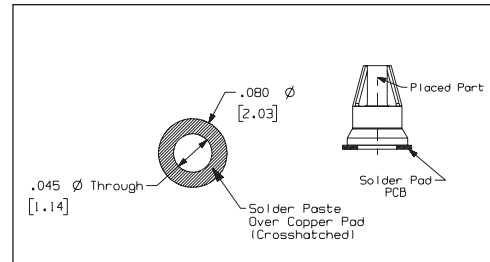
**Part Numbers
1260, 1260T, 1260T-SR**

Zierick recommends .006" stencil thickness for most applications. For other stencil thicknesses, call Zierick's product development department.

Loose Part No.	1260
Taped Part Number	1260T
Small Reel Part No.	1260T-SR
Mating Pin Size	0.025" (0.64mm) Square or 0.025" (0.64mm) to 0.032" (0.81mm) Diameter Round Pins
Material Thickness / Type	0.005" (0.13mm) CDA 17200 Beryllium Copper
Standard Finish	Bright Tin over Copper
Current Rating	7 Amperes
Feeder System	Standard 16mm Tape Feeder for Taped Parts



Recommended Solder Pad Geometry



For drawings of our taped parts, please search for this part number on our website, www.zierick.com.

Features and Benefits

- High Current Rating, up to 7 Amps, depending on application
- Small footprint
- Low profile
- Can be either power or signal connection (with appropriate plating)
- High number of mating cycles
- Available in tape or bulk
- Ideal for demanding environments
- Square based socket for square mating pin applications



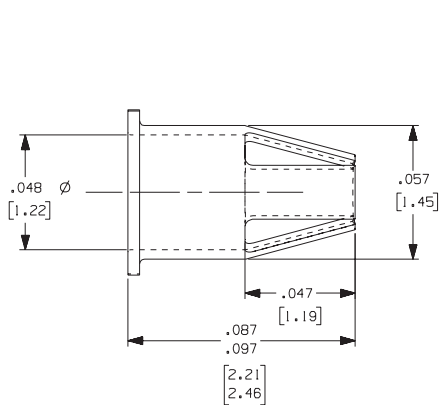
This square based socket is an upgraded version of our standard PN 1260, for square mating pin applications. PN 1260-SQ is consistently oriented in the tape pocket allowing the pick

and place machine to place it in the same angular position each time. This means that a square pin will reliably contact with the receptacle the same way each time

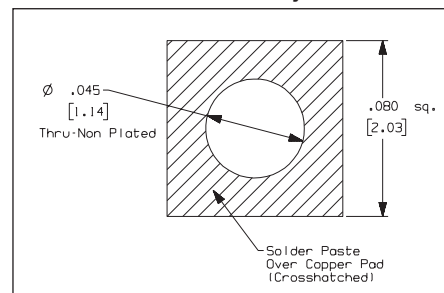
**Part Numbers
1260-SQ, 1260-SQ-T**

Zierick recommends .006" stencil thickness for most applications. For other stencil thicknesses, call Zierick's product development department.

Loose Part No.	1260-SQ
Taped Part Number	1260-SQ-T
Mating Pin Size	0.025" (0.64mm) Square or 0.025" (0.64mm) to 0.032" (0.81mm) Diameter Round Pins
Material Thickness / Type	0.005"(0.13mm) CDA 17200 Beryllium Copper
Standard Finish	Bright Tin over Copper
Current Rating	7 Amperes
Feeder System	Standard 16mm Tape Feeder for Taped Parts



Recommended Solder Pad Geometry

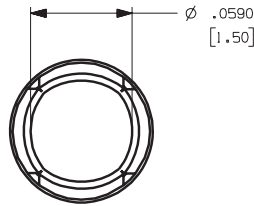
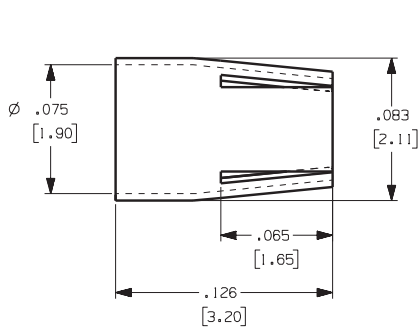


For drawings of our taped parts, please search for this part number on our website, www.zierick.com.

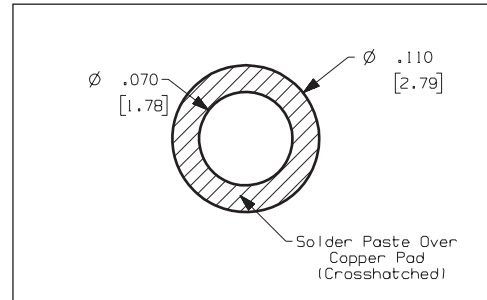
Part Numbers
1279, 1279T, 1279T-SR

Zierick recommends .006" stencil thickness for most applications. For other stencil thicknesses, call Zierick's product development department.

Loose Part No.	1279
Taped Part Number	1279T
Small Reel Part No.	1279T-SR
Mating Pin Size	0.062–0.066" (1.57–1.68mm) Diameter Round Pins
Material Thickness / Type	0.005"(0.13mm) CDA 17200 Beryllium Copper
Standard Finish	Bright Tin over Copper
Current Rating	7 Amperes
Feeder System	Standard 16mm Tape Feeder for Taped Parts



Recommended Solder Pad Geometry

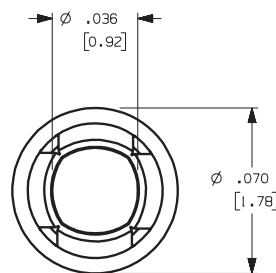
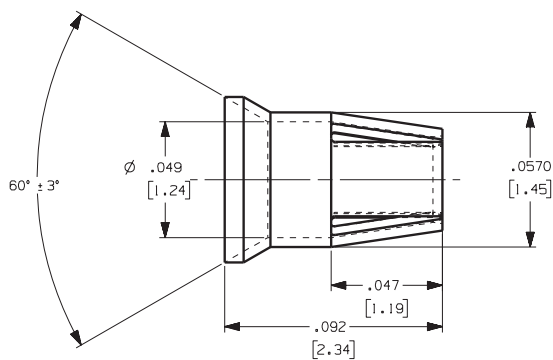


For drawings of our taped parts, please search for this part number on our website, www.zierick.com.

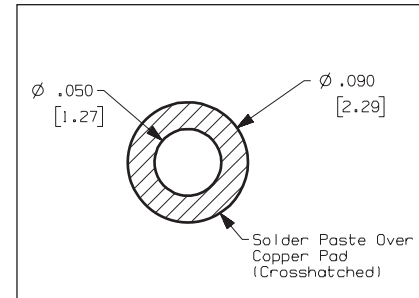
Part Numbers
1280, 1280T, 1280T-SR

Zierick recommends .006" stencil thickness for most applications. For other stencil thicknesses, call Zierick's product development department.

Loose Part No.	1280
Taped Part Number	1280T
Small Reel Part No.	1280T-SR
Mating Pin Size	0.038–0.044" (0.97–1.12mm) Diameter Round Pins
Material Thickness / Type	0.005"(0.13mm) CDA 17200 Beryllium Copper
Standard Finish	Bright Tin over Copper
Current Rating	7 Amperes
Feeder System	Standard 16mm Tape Feeder for Taped Parts



Recommended Solder Pad Geometry

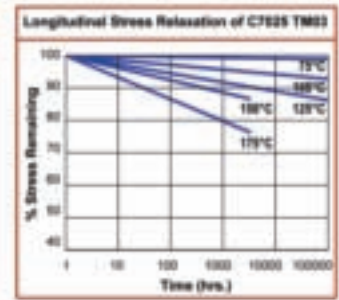


For drawings of our taped parts, please search for this part number on our website, www.zierick.com.

High Temperature / High Current Terminals

In newer automotive applications, operating temperatures and power throughput are steadily increasing. Most of today's terminals designed for such demanding applications are made of beryllium copper, which is very expensive. Zierick's response is a new way to create economically priced high temperature terminals. These components can operate at higher temperatures and have a higher current rating than their standard equivalents. They are stamped from an alloy with high temperature, high conductivity and improved stress relaxation properties. The stress relaxation feature is far superior to that of cartridge brass in elevated

Physical and Engineering Properties of C7025		
Physical Properties	English Units	Metric Units
Melting Point (Liquid)	2003°F	1096°C
Melting Point (Solid)	1967°F	1075°C
Density	.318 lb/in ³	8.82 g/cm ³
Thermal Conductivity	85-110 Btu-in/ft ² -in ² -°F @ 88°F	0.35-0.46 cal/cm ² -sec ² -°C @ 20°C
Electrical Resistivity	22.9 ohm-circ mil @ 88°F	147 μΩ-cm @ 20°C
Electrical Conductivity		4.2 mhos/cm @ 20°C
TMS	40% IACS @ 88°F	0.23 megohm-cm @ 20°C
TMS	40% IACS @ 88°F	0.23 megohm-cm @ 20°C
TMS	40% IACS @ 88°F	0.23 megohm-cm @ 20°C
TMS	35% IACS @ 88°F	0.28 megohm-cm @ 20°C
Modulus of Elasticity (Tensile)	18,000,000 psi	13,000 kg/cm ²



temperatures and heating applications.

Zierick's Part Number 1275 is standard, but many other parts can be produced with the same properties. This material easily lends itself to being used with our existing tooling and fabrication methods with little or no additional cost to the custom receptacle required.

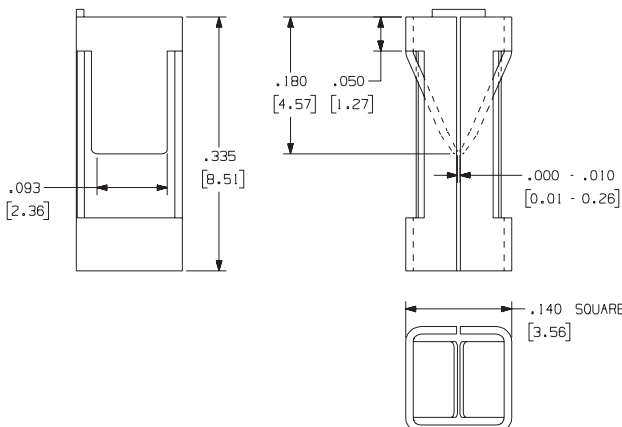
Stress relaxation is a critical inherent property of the material since the spring design feature in many receptacles is needed to maintain reliable connections at elevated temperatures. The tables above illustrate the various physical attributes of Alloy C7025. Call Zierick for more information.

Part Numbers 1275, 6275, 1275T, 1275TH

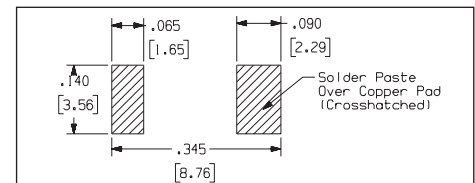
Zierick recommends .006" stencil thickness for most applications. For other stencil thicknesses, call Zierick's product development department.

For drawings of our taped parts, please search for this part number on our website, www.zierick.com.

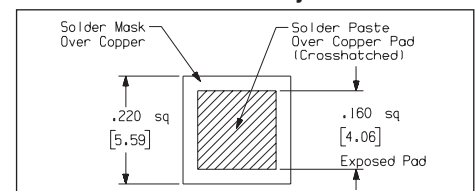
Loose Part No.	1275
Reeled Part No.	6275
Taped Part No.	1275T 1275TH
Mating Terminal Size	0.025" (0.64mm) and 0.032" (0.81mm) Round or Square
Mounting Type	Surface Mount
Material Thickness / Type	0.010" (0.25mm) CDA 70250 High Performance Alloy
Standard Finish	Loose: 100% Tin over Copper Reeled: 100% Tin over Copper
Mating Entry	Top and Bottom
Current Rating	20 Amperes
Resistance Rating	10mΩ Max
Temperature Rating	Up to 175°C
Feeder System	Surf-Shooter SMT™ Continuous Strip Feeder Standard 24mm Tape Feeder

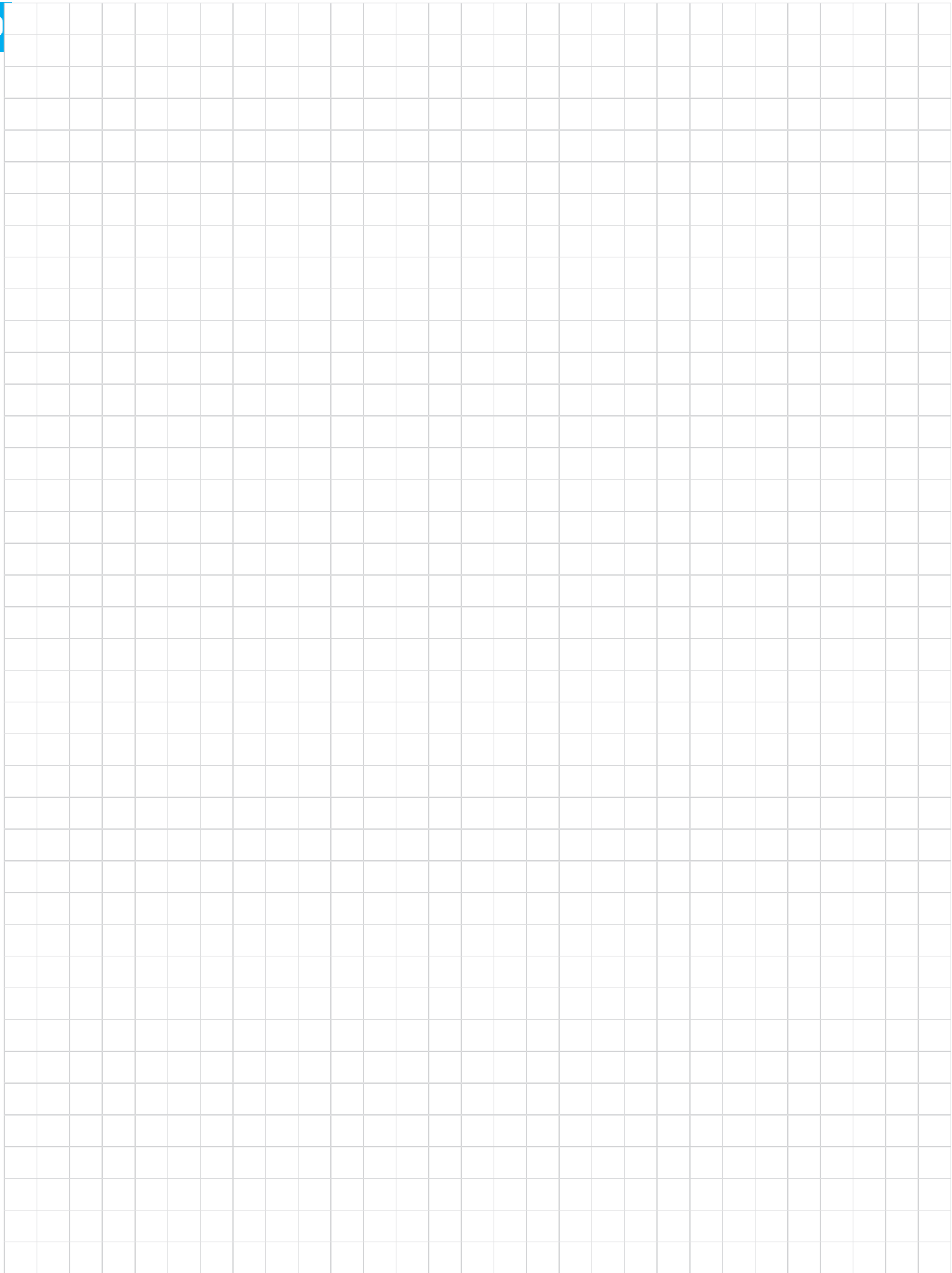


Recommended Solder Pad Geometry for Horizontal Mount



Recommended Solder Pad Geometry for Vertical Mount



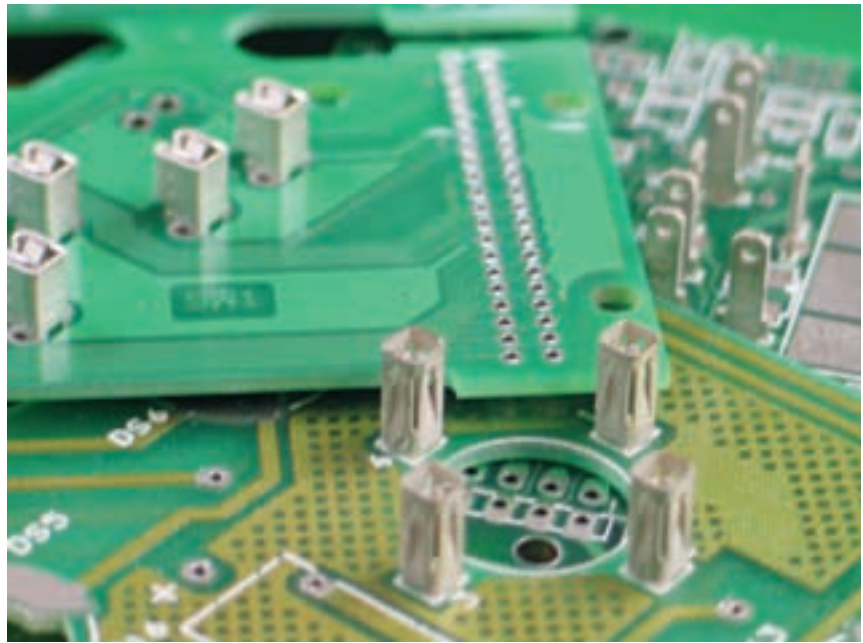


If your annual terminal usage is so low that you cannot justify the purchase of a terminal insertion machine, or if you have a work overload, Zierick has an alternative. We can insert Zierick terminals into your printed circuit board per your individual requirement.

All you do is ship us your bare boards, and we will insert all the Zierick terminals you need. Our Quality Control department will carefully inspect and certify these boards to assure they are within specifications.

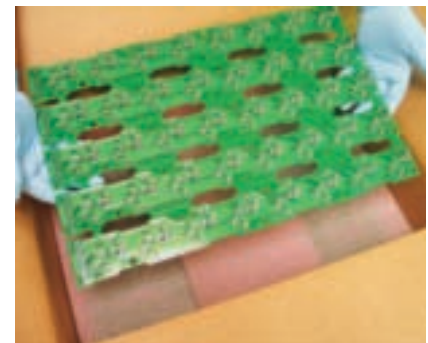
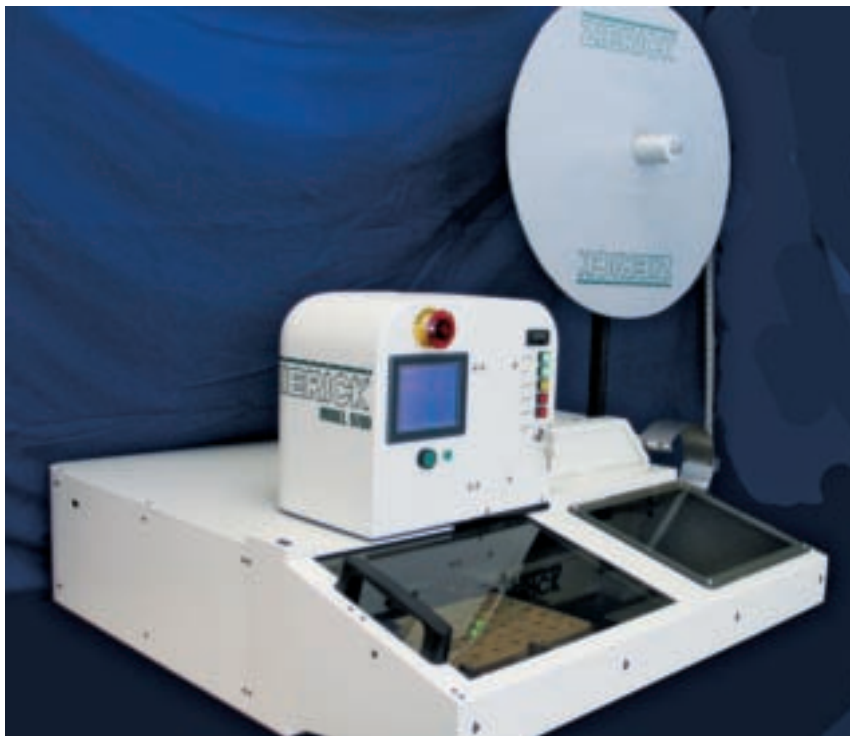
Then we ship the completed boards back to you for further processing. Your savings: capital equipment investment, large terminal inventory, and the need to use your own personnel to do the job.

Send a print of your board with the part numbers of the Zierick terminals required clearly marked to: Zierick Board Stuffing Service, 131 Radio Circle, Mount Kisco,



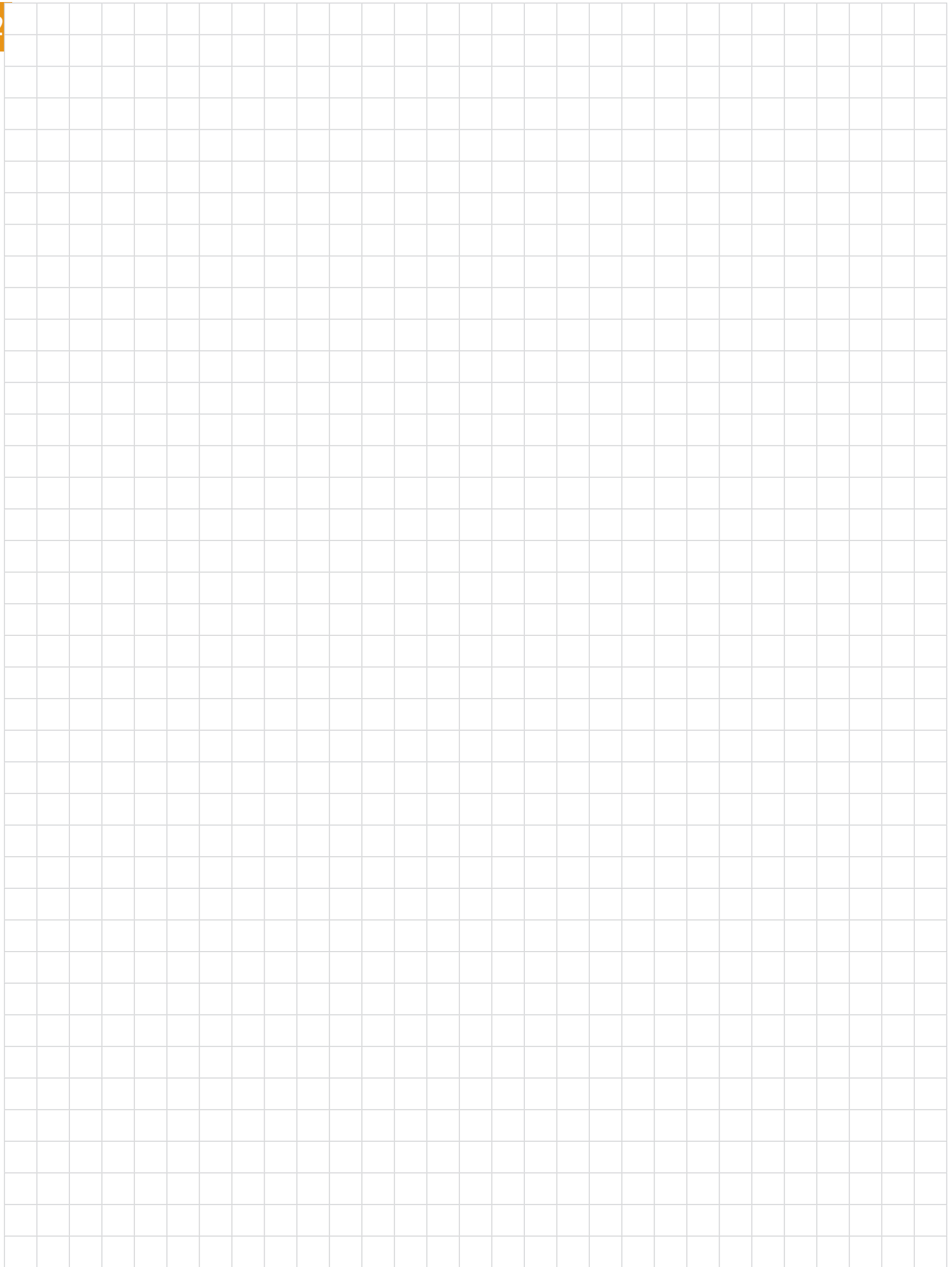
NY 10549. Include the number of boards you are expecting to need and we will provide you with a quote.

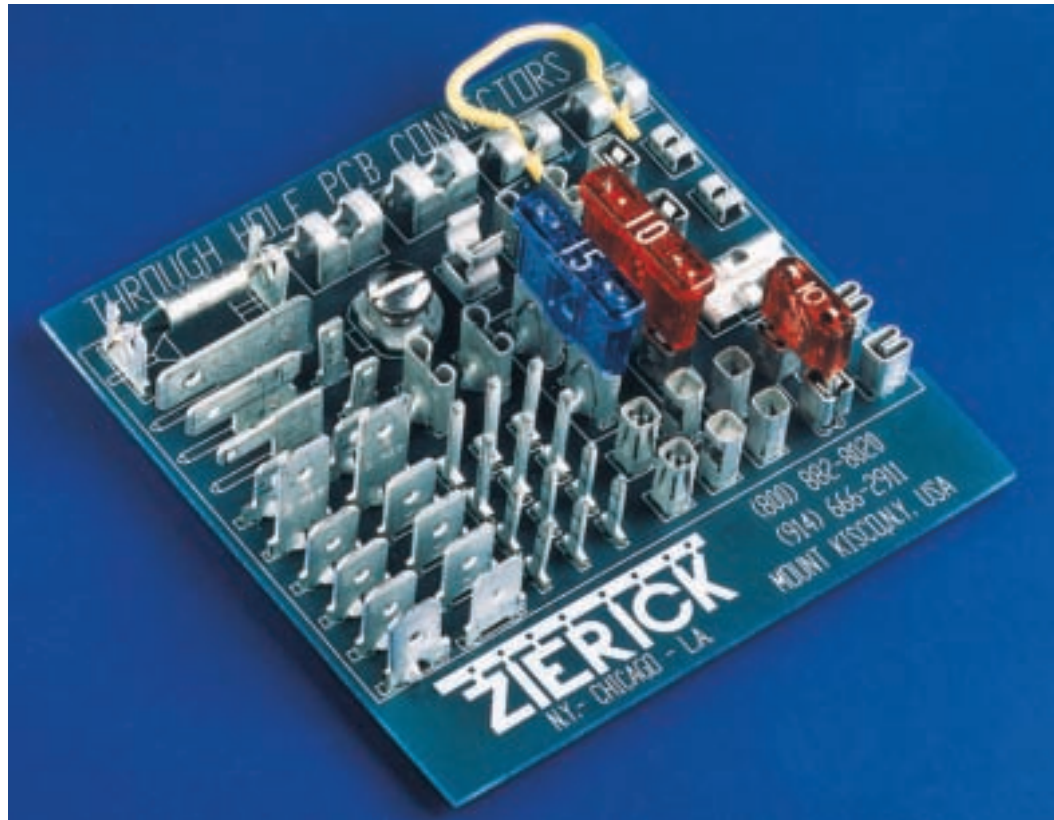
We can populate your boards with any of our standard parts.



Your Printed Circuit Boards will be handled with the utmost of care by our experienced staff. From receipt of your boards, through the population process, to packing and shipping, your satisfaction is our number one concern.

Zierick's family of automated and semi-automated terminal insertion systems is known for its reliability. Combine this with our knowledgeable applicator service department for a trouble-free experience. Our machines provide a great range of functionality and flexibility so that your job will be done quickly and reliably. Our machines can handle Printed Circuit Board Panels up to 12" x 12" in size.





Whether your Through-Hole Technology applications require a Quick Disconnect Tab, an Insulation Displacement Connector, a Test Point Terminal, a Screw Terminal, a Receptacle, a Post, or a Multi-Layer Circuit Board Connector, we can fulfill your needs.

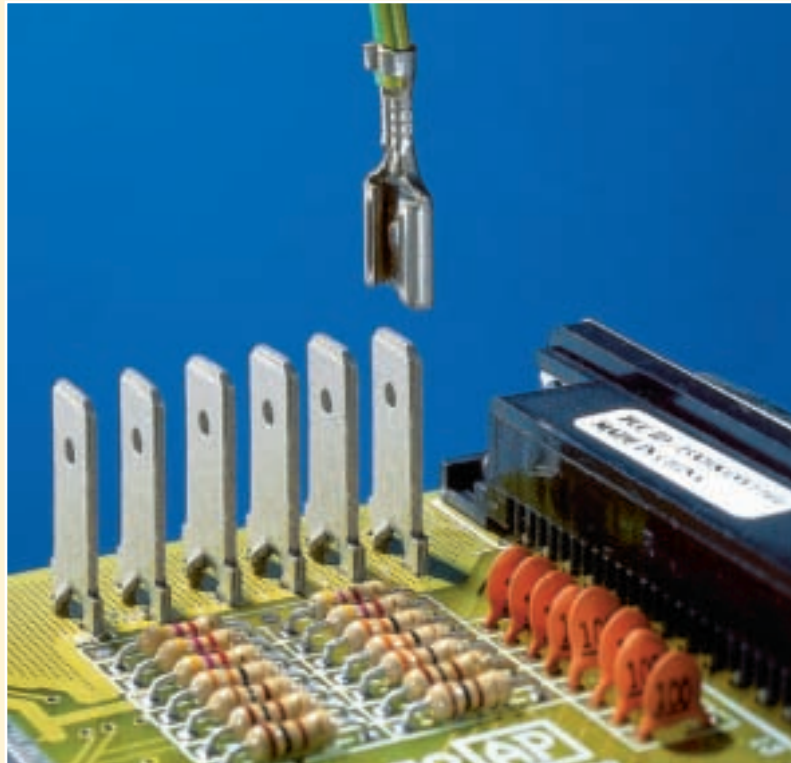
Zierick's unique features solve your most difficult interconnection problems: The **Accu-Lok™** retentive mounting feature, Zierick's **Torsion-Lok®** IDC, the **Stable-Lok®** feature which doubles terminal strength against deflection, the **Snap-In™** fuse clips' exclusive spring-load mounting technology,

and our **Accu-Pak™** receptacles are some of the reasons Zierick should be your choice for all your THT products.



Features and Benefits

- Zierick's **Stable-Lok**® and **Accu-Lok**™ mounting features improve the terminal retention of quick disconnect terminals to the PCB.
- The **Stable-Lok**® mounting option doubles terminal strength against fracture or mounting leg breakage.
- The **Stable-Lok**® concept shifts pivot points to outer mounting areas for a stabilizing resistive torque.
- Tabs/Quick Disconnects are available in vertical or horizontal configurations, in loose piece or reels.
- **Stable-Lok**® terminals are available in 0.187" (4.75mm), 0.205" (5.21mm), and 0.250" (6.35mm) application sizes.
- Assembly can be accomplished with Zierick hand tools or Zierick semi- and fully-automated applicators.
- **Accu-Lok**™ mounting is designed for hole diameter tolerances as great as ±0.004" (±0.10mm) for either **Accu-Lok**™ or splay mounting types. The terminal leg enters freely

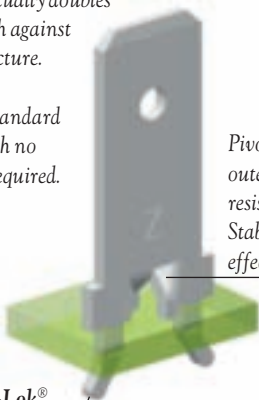


within the hole, with controlled splitting and forming of the leg. This eliminates stress and withstands repeated mating, withdrawal, and shock.

Stable-Lok® actually doubles terminal strength against deflection or fracture.

Easily replaces standard tab terminal, with no board redesign required.

Stable-Lok® minimizes leg breakage.

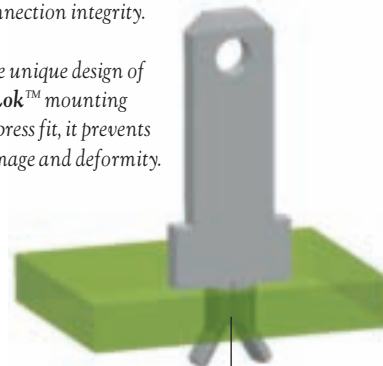


Pivot points are shifted to outer areas for a stabilizing resistive torque. Stabilizers are most effective when "domed."

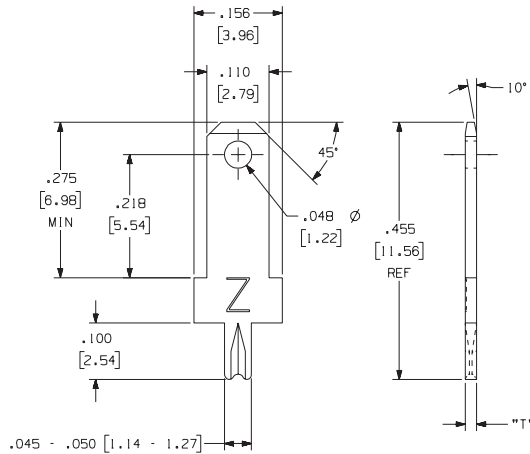
The **Accu-Lok**™ retentive mounting feature produces exceptional PCB assembly and interconnection integrity.

Since the unique design of **Accu-Lok**™ mounting is not a press fit, it prevents hole damage and deformity.

The PCB retention of **Accu-Lok**™ mounting is accomplished by a controlled splitting and forming of the terminal leg during insertion.

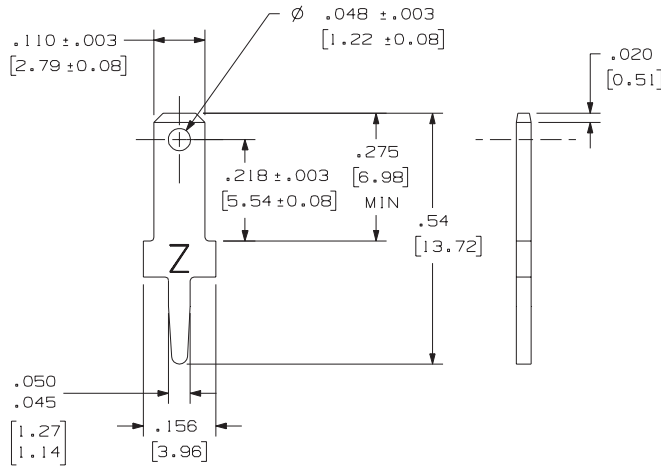


Part Numbers 1063, 1064, 6063, 6064



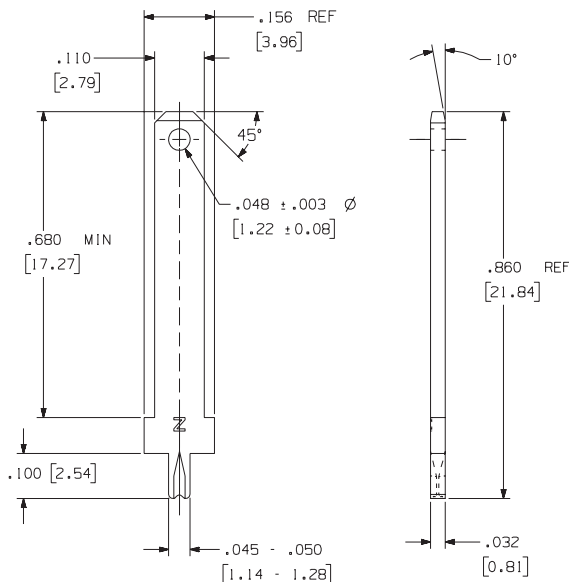
Loose Part No.	1063	1064
Reeled Part No.	6063	6064
Mounting Type	Splay	Splay
Material Thickness / Type	0.020" (0.51mm) Brass	0.032" (0.81mm) Brass
Standard Finish	Loose: 100% Tin over Copper Reeled: 100% Tin over Copper	
Mounting Hole Diameter	0.055" \pm 0.003" (1.40mm \pm 0.076mm)	0.061" \pm 0.003" (1.55mm \pm 0.076mm)
Current Rating	10 Amperes	
Applicator System	Loose: ZPT81-A Reeled: Model 9700, 9700 XY	

Part Numbers 834, 835, 6834, 6835



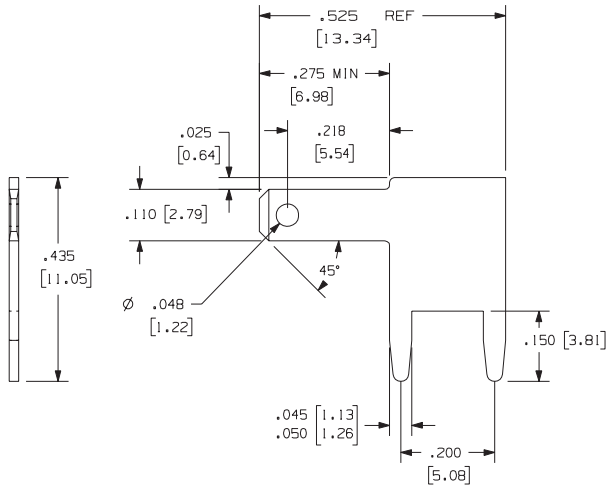
Loose Part No.	834	835
Reeled Part No.	6834	6835
Mounting Type	Press-Fit	Press-Fit
Material Thickness / Type	0.020" (0.51mm) Brass	0.032" (0.81mm) Brass
Standard Finish	Loose: 100% Tin over Copper Reeled: 100% Tin over Copper	
Mounting Hole Diameter	0.044" \pm 0.003" (1.12mm \pm 0.076mm)	0.050" \pm 0.003" (1.27mm \pm 0.076mm)
Current Rating	10 Amperes	
Applicator System	Loose: ZPT81-A Reeled: Model 9700, 9700 XY	

Part Numbers 1201, 6201



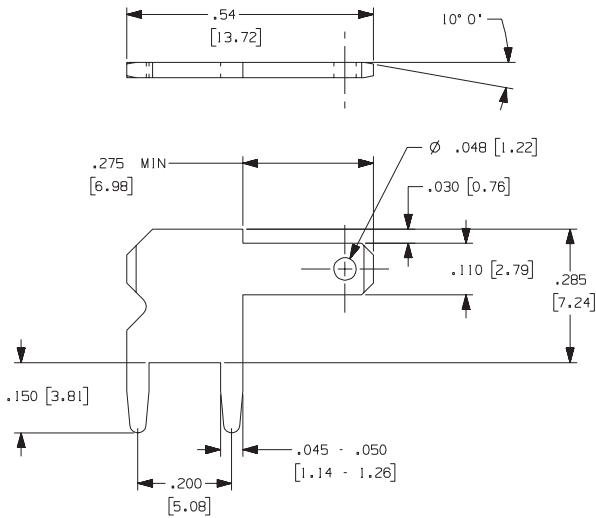
Loose Part No.	1201
Reeled Part No.	6201
Mounting Type	Splay
Material Thickness / Type	0.032" (0.81mm) Brass
Standard Finish	Loose: 100% Tin over Copper Reeled: 100% Tin over Copper
Mounting Hole Diameter	0.055" \pm 0.003" (1.40mm \pm 0.076mm)
Current Rating	10 Amperes
Applicator System	Loose: ZPT81-A Reeled: Model 9700 XY

46 0.110" (2.79mm) Tabs / Quick Disconnect Terminals



Part Numbers 948, 949

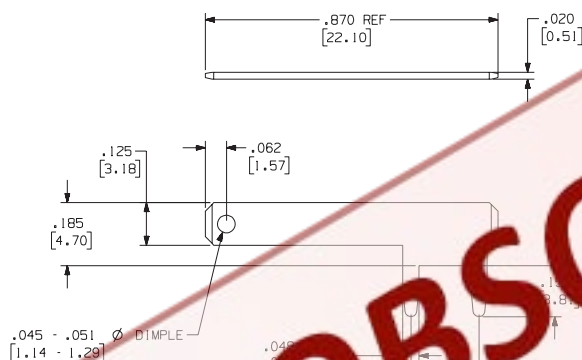
Loose Part No.	948	949
Reeled Part No.	N/A	N/A
Mounting Type	Outward or Inward Splay	
Material Thickness / Type	0.032" (0.81mm) Brass	0.020" (0.51mm) Brass
Standard Finish	100% Tin over Copper	
Mounting Hole Diameter	0.058" ±0.003" (1.47mm ±0.076mm)	0.050" ±0.003" (1.27mm ±0.076mm)
Current Rating	20 Amperes	
Applicator System	ZPT92-110	



Part Numbers 6948, 6949

Loose Part No.	N/A	N/A
Reeled Part No.	6948	6949
Mounting Type	Outward or Inward Splay	
Material Thickness / Type	0.032" (0.81mm) Brass	0.020" (0.51mm) Brass
Standard Finish	Loose: 100% Tin over Copper	
Mounting Hole Diameter	0.058" ±0.003" (1.47mm ±0.076mm)	0.050" ±0.003" (1.27mm ±0.076mm)
Current Rating	20 Amperes	
Applicator System	Model 9700, 9700 XY	

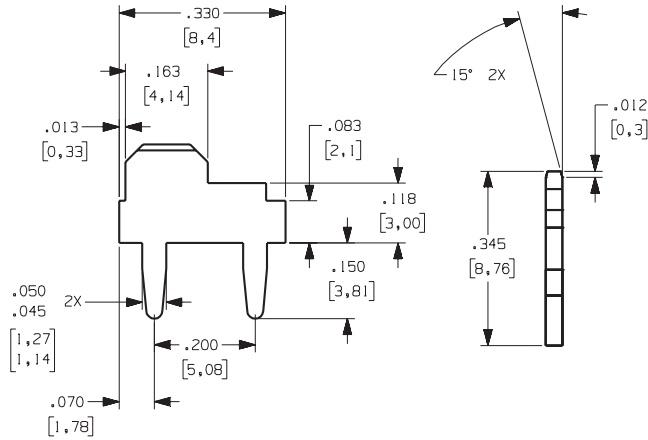
0.125" (3.18mm) Tabs / Quick Disconnect Terminals



Part Number 6186

Loose Part No.	N/A
Reeled Part No.	6186
Mounting Type	Outward or Inward Splay
Material Thickness / Type	0.020" (0.51mm) Brass
Standard Finish	Loose: 100% Tin over Copper
Mounting Hole Diameter	0.050" ±0.003" (1.27mm ±0.076mm)
Current Rating	20 Amperes
Applicator System	Model 9700, 9700 XY

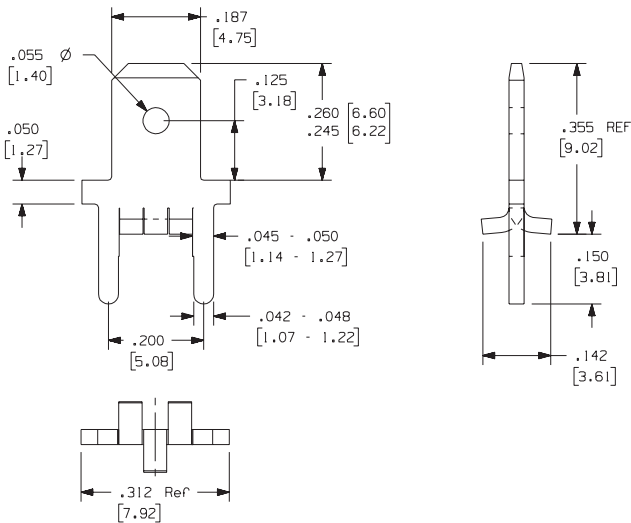
Part Number 6267



Loose Part No.	N/A
Reeled Part No.	6267
Mounting Type	Outward or Inward Splay
Material Thickness / Type	0.032" (0.81mm) Brass
Standard Finish	100% Tin over Copper
Mounting Hole Diameter	0.058" ±0.003" (1.47mm ±0.076mm)
Current Rating	15 Amperes
Applicator System	Model 9700, 9700 XY

0.187" (3.18mm) Tabs / Quick Disconnect Terminals

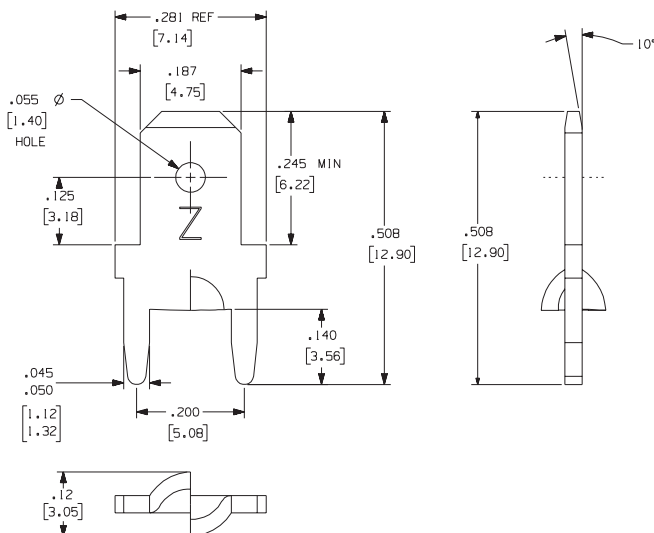
Part Number 6291



Loose Part No.	N/A
Reeled Part No.	6291
Mounting Type	Drop-In Fit
Hole Dimension	0.055" (1.408mm) hole
Material Thickness / Type	0.032" (0.81mm) Brass
Standard Finish	100% Tin over Copper
Mounting Hole Diameter	0.058" ±0.003" (1.47mm ±0.076)
Current Rating	20 AMPS
Feeder/Applicator System	For SMT Applications: Surf-Shooter SMT™ Continuous Strip Feeder For THT Applications: Model 9700 Model 9700 XY

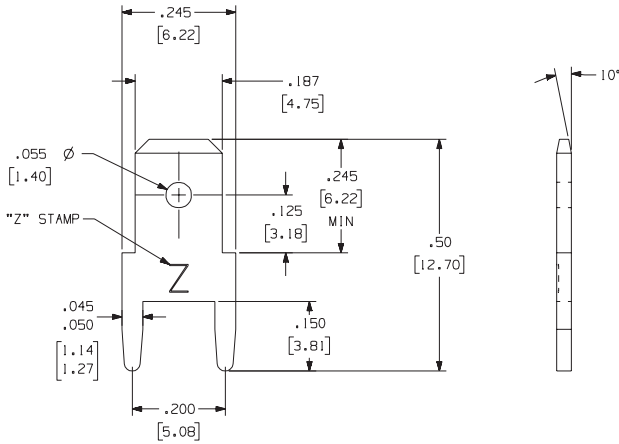
Zierick recommends .006" stencil thickness for most applications. For other stencil thicknesses, call Zierick's product development department.

Part Numbers 1027, 1024, 6027, 6024



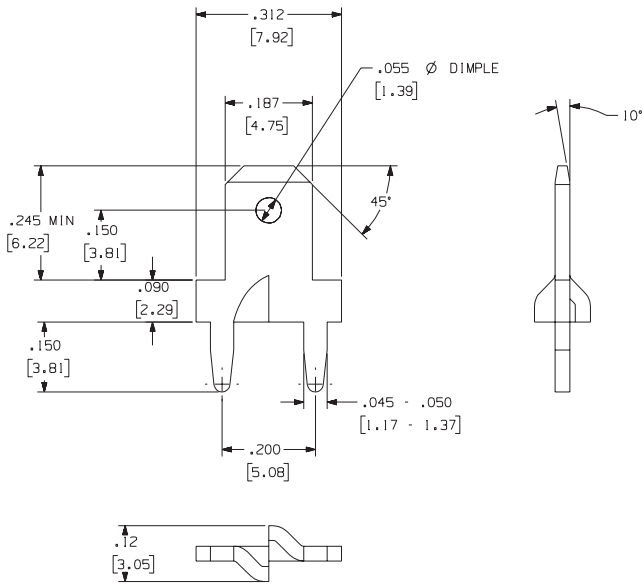
Loose Part No.	1027	1024
Reeled Part No.	6027	6024
Mounting Type	Outward or Inward Splay	
Material Thickness / Type	0.020" (0.51mm) Brass	0.032" (0.81mm) Brass
Standard Finish	Loose: 100% Tin over Copper Reeled: 100% Tin over Copper	
Mounting Hole Diameter	0.050" ±0.003" (1.27mm ±0.076mm)	0.058" ±0.003" (1.47mm ±0.076mm)
Current Rating	20 Amperes	
Applicator System	Loose: ZPT81-A Reeled: Model 9700, 9700 XY	

Part Numbers 895, 894, 6895, 6894



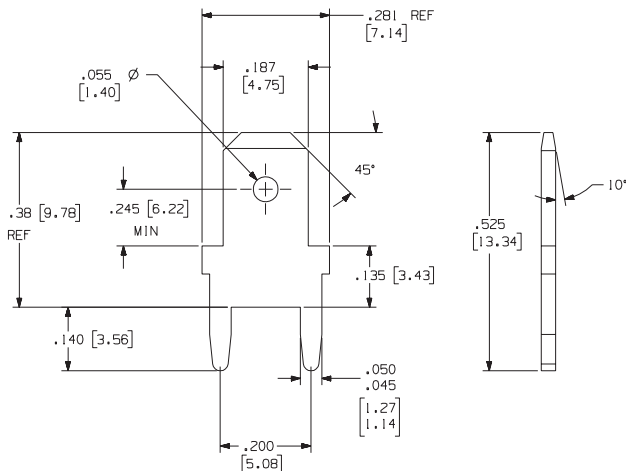
Loose Part No.	895	894
Reeled Part No.	6895	6894
Mounting Type	Outward or Inward Splay	
Material Thickness / Type	0.020" (0.51mm) Brass	0.032" (0.81mm) Brass
Standard Finish	Loose: 100% Tin over Copper Reeled: 100% Tin over Copper	
Mounting Hole Diameter	0.050" ±0.003" (1.27mm ±0.076mm)	0.058" ±0.003" (1.47mm ±0.076mm)
Current Rating	20 Amperes	
Applicator System	Loose: ZPT81-A Reeled: Model 9700, 9700 XY	

Part Numbers 1282, 6282

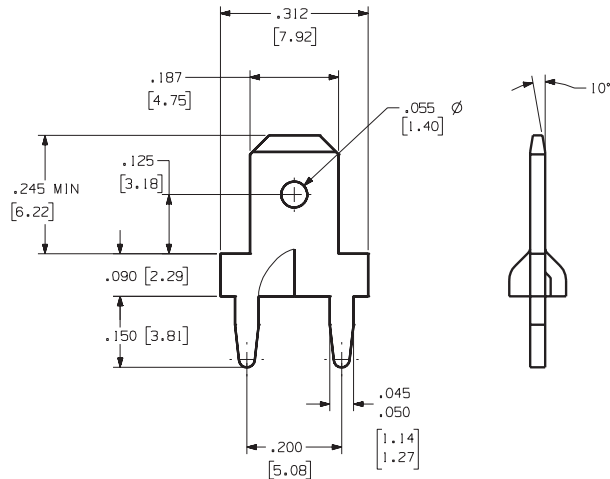


Loose Part No.	1282
Reeled Part No.	6282
Mounting Type	Outward or Inward Splay
Material Thickness / Type	0.020" (0.51mm) Brass
Standard Finish	Loose: 100% Tin over Copper
Mounting Hole Diameter	0.050" ±0.003" (1.27mm ±0.076mm)
Current Rating	10 Amperes
Applicator System	Loose: ZPT81-A Reeled: Model 9700, 9700 XY

Part Numbers 6134, 6142

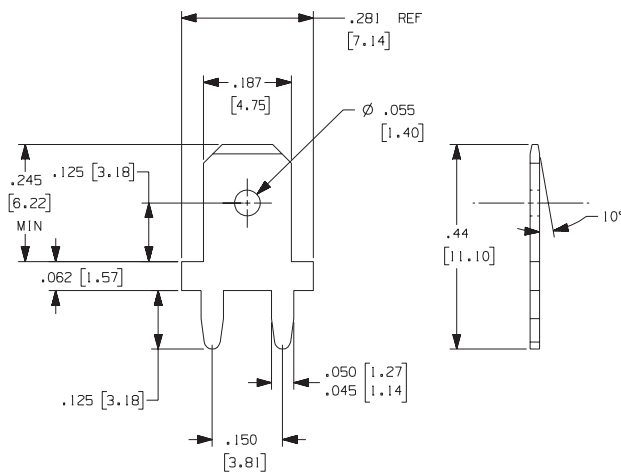


Loose Part No.	N/A	N/A
Reeled Part No.	6134	6142
Mounting Type	Outward or Inward Splay	
Material Thickness / Type	0.020" (0.51mm) Brass	0.032" (0.81mm) Brass
Standard Finish	100% Tin over Copper	
Mounting Hole Diameter	0.050" ±0.003" (1.27mm ±0.076mm)	0.058" ±0.003" (1.47mm ±0.076mm)
Current Rating	20 Amperes	
Applicator System	Reeled: Model 9700, 9700 XY	



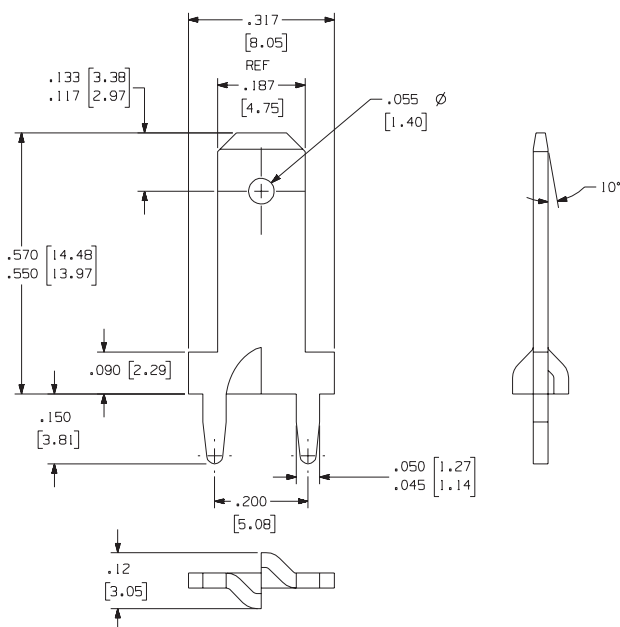
Part Numbers 1141, 6140, 6141

Loose Part No.	N/A	1141
Reeled Part No.	6140	6141
Mounting Type	Outward or Inward Splay	
Material Thickness / Type	0.020" (0.51mm) Brass	0.032" (0.81mm) Brass
Standard Finish	Loose: 100% Tin over Copper Reeled: 100% Tin over Copper	
Mounting Hole Diameter	0.050" ±0.003" (1.27mm ±0.076mm)	0.058" ±0.003" (1.47mm ±0.076mm)
Current Rating	20 Amperes	
Applicator System	Loose: ZPT81-A Reeled: Model 9700, 9700 XY	



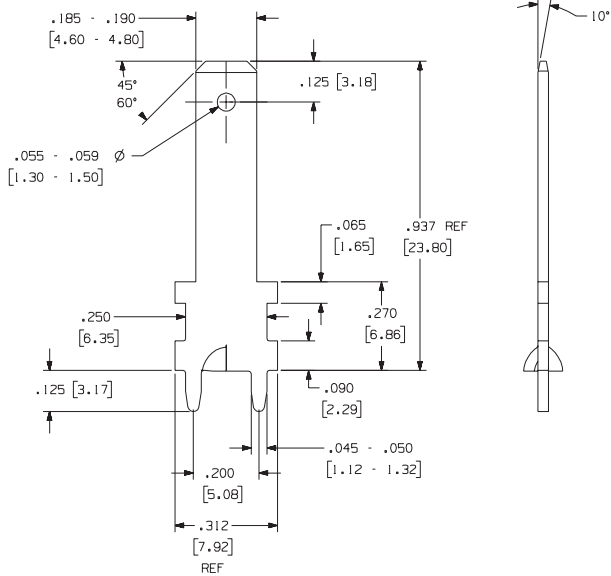
Part Numbers 1077, 6078, 6077

Loose Part No.	N/A	1077
Reeled Part No.	6078	6077
Mounting Type	Outward Splay	
Material Thickness / Type	0.020" (0.51mm) Brass	0.032" (0.81mm) Brass
Standard Finish	Loose: 100% Tin over Copper Reeled: 100% Tin over Copper	
Mounting Hole Diameter	0.050" ±0.003" (1.27mm ±0.076mm)	0.058" ±0.003" (1.47mm ±0.076mm)
Current Rating	20 Amperes	
Applicator System	Loose: ZPT81-A Reeled: Model 9700, 9700 XY	



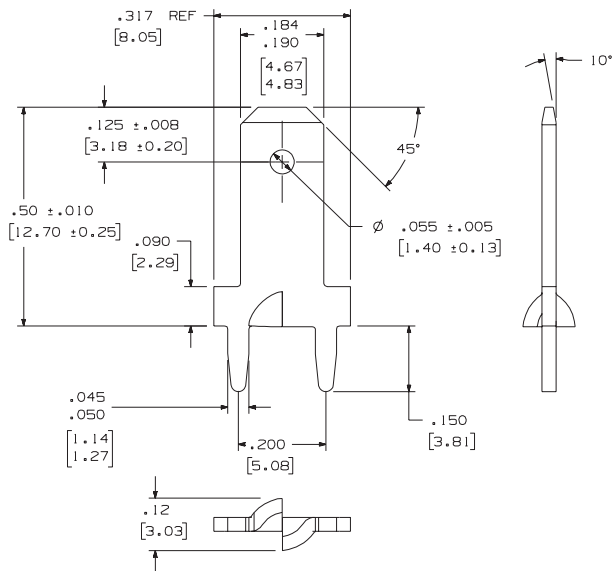
Part Numbers 1042, 6042

Loose Part No.	1042	
Reeled Part No.	6042	
Mounting Type	Outward or Inward Splay	
Material Thickness / Type	0.032" (0.81mm) Brass	
Standard Finish	Loose: 100% Tin over Copper Reeled: 100% Tin over Copper	
Mounting Hole Diameter	0.058" ±0.003" (1.47mm ±0.076mm)	
Current Rating	20 Amperes	
Applicator System	Loose: ZPT81-A Reeled: Model 9700, 9700 XY	



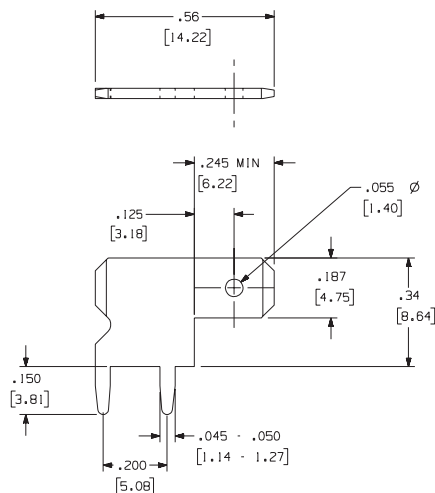
Part Numbers 1172, 6172

Loose Part No.	1172
Reeled Part No.	6172
Mounting Type	Outward or Inward Splay
Material Thickness / Type	0.032" (0.81mm) Brass
Standard Finish	Loose: 100% Tin over Copper Reeled: 100% Tin over Copper
Mounting Hole Diameter	0.058" ±0.003" (1.47mm ±0.076)
Current Rating	20 Amperes
Applicator System	Loose: ZPT81-A Reeled: Model 9700, 9700 XY



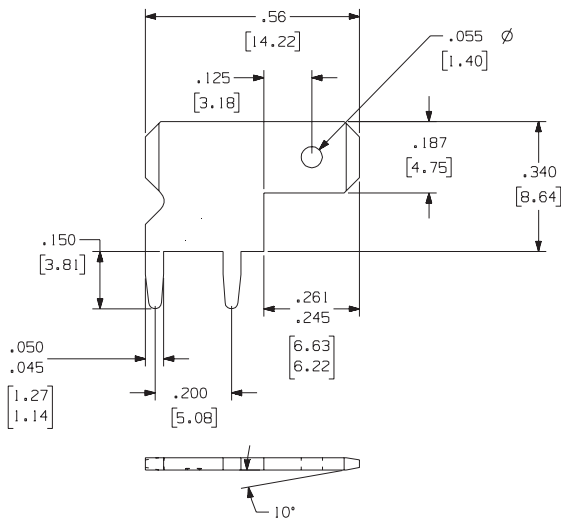
Part Number 1166

Loose Part No.	1166
Reeled Part No.	N/A
Mounting Type	Outward Splay
Material Thickness / Type	0.020" (0.51mm) Brass
Standard Finish	Loose: 100% Tin over Copper Reeled: 100% Tin over Copper
Mounting Hole Diameter	0.058" ±0.003" (1.47mm ±0.076)
Current Rating	20 Amperes
Applicator System	Loose: ZPT81-A Reeled: Model 9700, 9700 XY



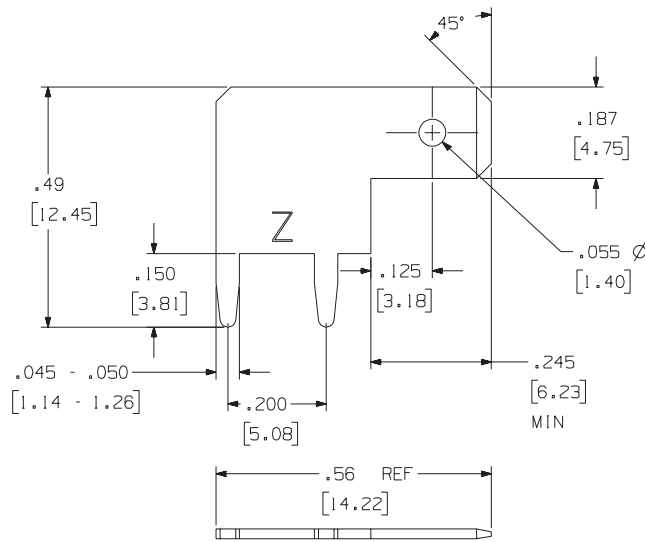
Part Numbers 6956, 6957

Loose Part No.	N/A	N/A
Reeled Part No.	6956	6957
Mounting Type	Outward or Inward Splay	
Material Thickness / Type	0.020" (0.51mm) Brass	0.032" (0.81mm) Brass
Standard Finish	100% Tin over Copper	
Mounting Hole Diameter	0.050" ±0.003" (1.27mm ±0.076mm)	0.058" ±0.003" (1.47mm ±0.076mm)
Current Rating	20 Amperes	
Applicator System	Model 9700, 9700 XY	



Part Numbers 6148, 6149

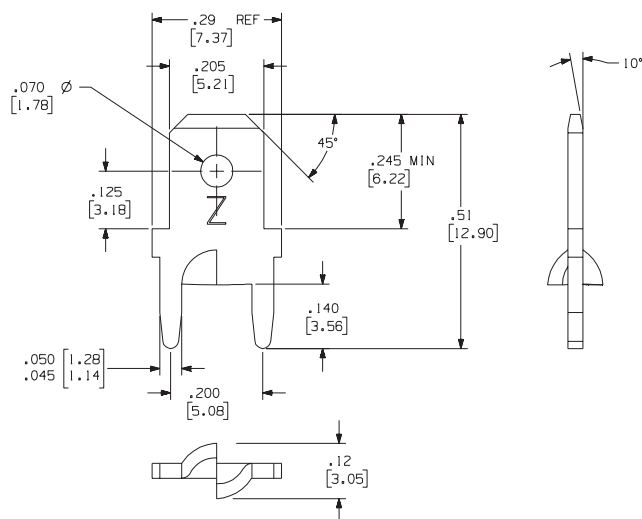
Loose Part No.	N/A	N/A
Reeled Part No.	6148	6149
Mounting Type	Outward or Inward Splay	
Material Thickness / Type	0.032" (0.81mm) Brass	0.020" (0.51mm) Brass
Standard Finish	100% Tin over Copper	
Mounting Hole Diameter	0.058" ±0.003" (1.47mm ±0.076)	0.050" ±0.003" (1.27mm ±0.076)
Current Rating	20 Amperes	
Applicator System	Model 9700, 9700 XY	



Part Numbers 956, 957

Loose Part No.	956	957
Mounting Type	Outward or Inward Splay	
Material Thickness / Type	0.020" (0.51mm) Brass	0.032" (0.81mm) Brass
Standard Finish	100% Tin over Copper	
Mounting Hole Diameter	0.050" ±0.003" (1.27mm ±0.076)	0.058" ±0.003" (1.47mm ±0.076)
Current Rating	20 Amperes	
Applicator System	ZPT92-187	

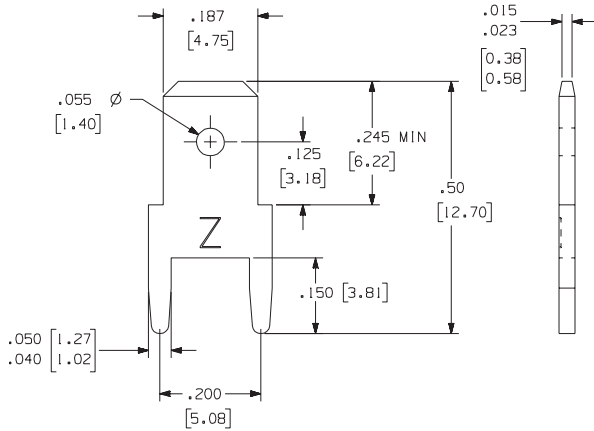
0.205" (5021mm) Tabs / Quick Disconnect Terminals



Part Numbers 1066, 1065, 6065

Loose Part No.	1066	1065
Reeled Part No.		6065
Mounting Type	Outward or Inward Splay	
Material Thickness / Type	0.020" (0.51mm) Brass	0.032" (0.81mm) Brass
Standard Finish	Loose: 100% Tin over Copper Reeled: 100% Tin over Copper	
Mounting Hole Diameter	0.050" ±0.003" (1.27mm ±0.076)	0.058" ±0.003" (1.47mm ±0.076)
Current Rating	20 Amperes	
Applicator System	Loose: ZPT81-A Reeled: Model 9700, 9700 XY	

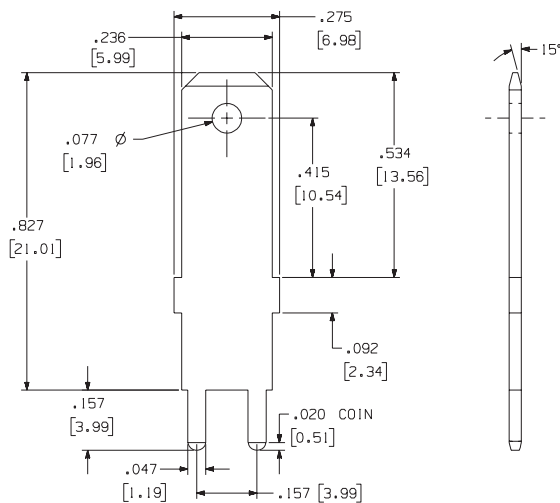
52 0.205" (5.21mm) Tabs / Quick Disconnect Terminals



Part Numbers 893, 892

Loose Part No.	893	892
Reeled Part No.	N/A	N/A
Mounting Type	Outward or Inward Splay	
Material Thickness / Type	0.020" (0.51mm) Brass	0.032" (0.81mm) Brass
Standard Finish	100% Tin over Copper	
Mounting Hole Diameter	0.050" ±0.003" (1.27mm ±0.076)	0.058" ±0.003" (1.47mm ±0.076)
Current Rating	20 Amperes	
Applicator System	ZPT81-A	

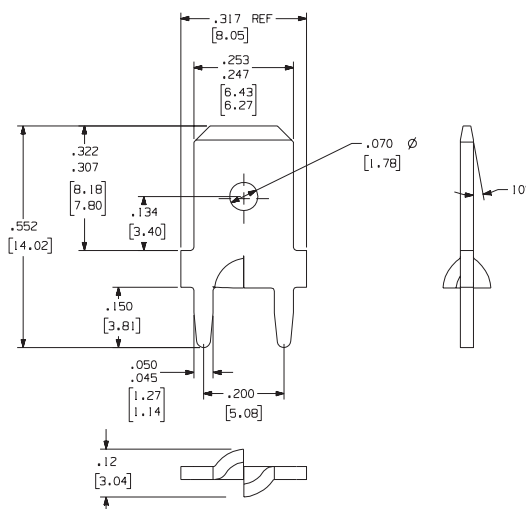
0.236" (5.99mm) Tabs / Quick Disconnect Terminals



Part Numbers 1115, 6115

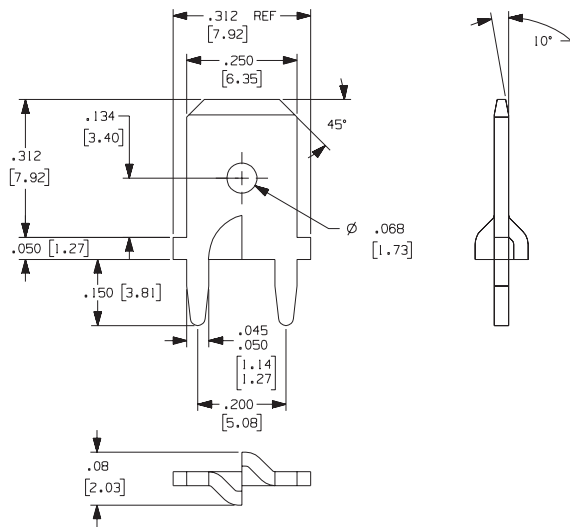
Loose Part No.	1115
Reeled Part No.	6115
Mounting Type	Outward Splay
Material Thickness / Type	0.032" (0.81mm) Brass
Standard Finish	Loose: 100% Tin over Copper Reeled: 100% Tin over Copper
Mounting Hole Diameter	0.058" ±0.003" (1.47mm ±0.076)
Current Rating	20 Amperes
Applicator System	Loose: ZPT81-A Reeled: Model 9700, 9700 XY

0.250" (6.35mm) Tabs / Quick Disconnect Terminals



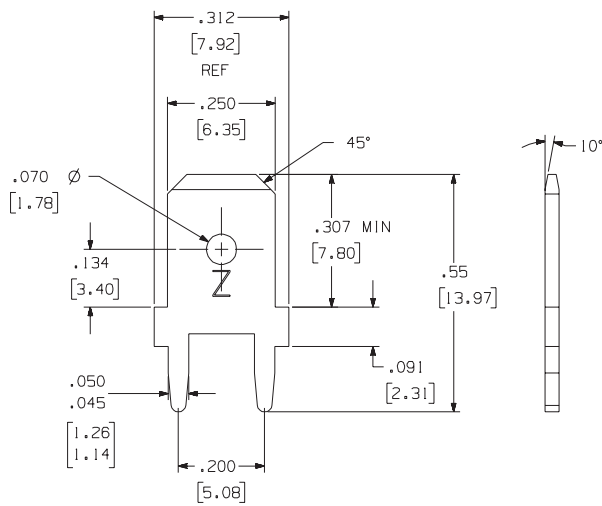
Part Numbers 1021, 6021, 1198, 6198

Loose Part No.	1021	1198
Reeled Part No.	6021	6198
Dim 'A'	0.134" (3.40mm)	0.160" (4.06mm)
Feature 'B'	0.070" (1.78mm) HOLE	0.070" (1.78mm) DIMPLE
Mounting Type	Outward or Inward Splay	
Material Thickness / Type	0.032" (0.81mm) Brass	
Standard Finish	Loose: 100% Tin over Copper Reeled: 100% Tin over Copper	
Mounting Hole Diameter	0.058" ±0.003" (1.47mm ±0.076)	
Current Rating	20 Amperes	
Applicator System	Loose: ZPT81-A Reeled: Model 9700, 9700 XY	



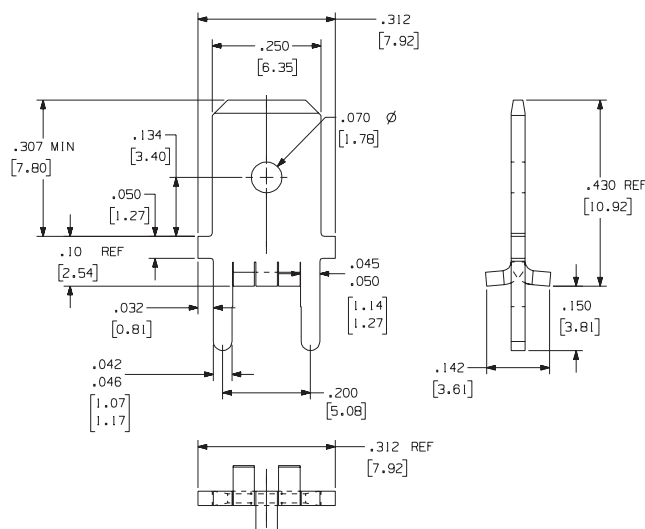
Part Numbers 1061, 6061

Loose Part No.	1061
Reeled Part No.	6061
Mounting Type	Outward or Inward Splay
Material Thickness / Type	0.032" (0.81mm) Brass
Standard Finish	Loose: 100% Tin over Copper Reeled: 100% Tin over Copper
Mounting Hole Diameter	0.058" ±0.003" (1.47mm ±0.076)
Current Rating	20 Amperes
Applicator System	Loose: ZPT81-A Reeled: Model 9700, 9700 XY



Part Numbers 836, 6836

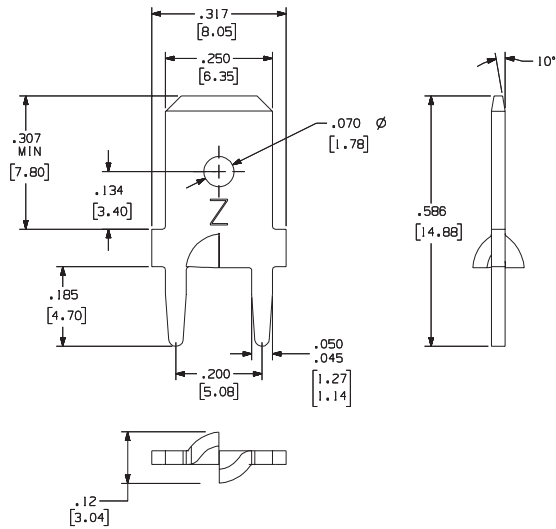
Loose Part No.	836
Reeled Part No.	6836
Mounting Type	Outward or Inward Splay
Material Thickness / Type	0.032" (0.81mm) Brass
Standard Finish	Loose: 100% Tin over Copper Reeled: 100% Tin over Copper
Mounting Hole Diameter	0.058" ±0.003" (1.47mm ±0.076)
Current Rating	20 Amperes
Applicator System	Loose: ZPT81-A Reeled: Model 9700, 9700 XY



Part Number 6284

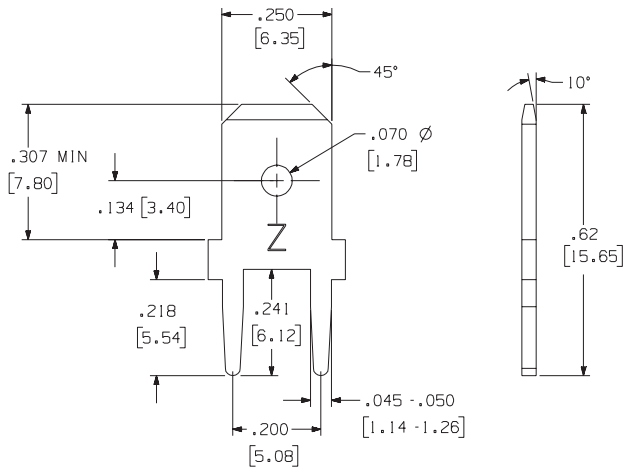
Loose Part No.	N/A
Reeled Part No.	6284
Mounting Type	Drop-In Fit
Hole Dimension	0.070" (1.78mm) hole
Material Thickness / Type	0.032" (0.81mm) Brass
Standard Finish	100% Tin over Copper
Mounting Hole Diameter	0.058" ±0.003" (1.47mm ±0.076)
Current Rating	20 AMPS
Feeder/Applicator System	For SMT Applications: Surf-Shooter SMT Continuous Strip Feeder For THT Applications: Model 9700 Model 9700 XY

Zierick recommends .006" stencil thickness for most applications. For other stencil thicknesses, call Zierick's product development department.



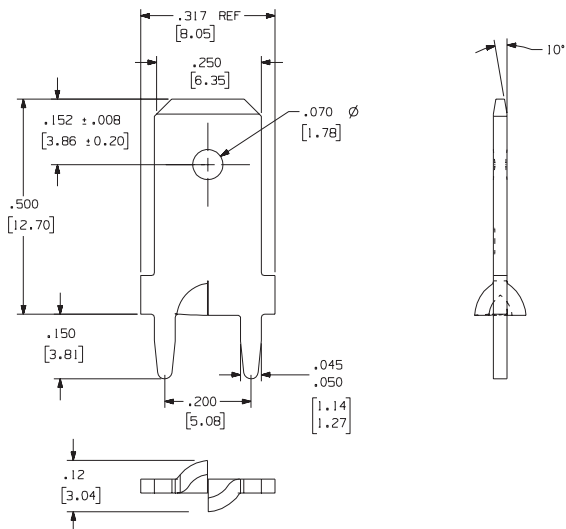
Part Numbers 1060, 6060

Loose Part No.	1060
Reeled Part No.	6060
Mounting Type	Outward or Inward Splay
Material Thickness / Type	0.032" (0.81mm) Brass
Standard Finish	Loose: 100% Tin over Copper Reeled: 100% Tin over Copper
Mounting Hole Diameter	0.058" ±0.003" (1.47mm ±0.076)
Current Rating	20 Amperes
Applicator System	Loose: ZPT81-A Reeled: Model 9700, 9700 XY



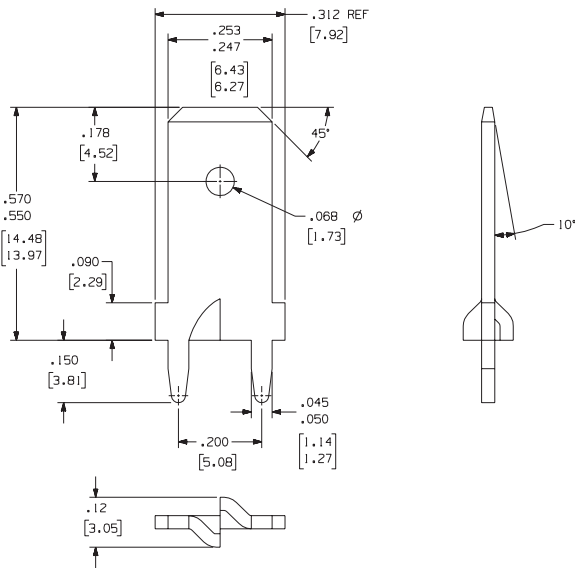
Part Number 906

Loose Part No.	906
Reeled Part No.	N/A
Mounting Type	Outward or Inward Splay
Material Thickness / Type	0.032" (0.81mm) Brass
Standard Finish	100% Tin over Copper
Mounting Hole Diameter	0.058" ±0.003" (1.47mm ±0.076)
Current Rating	20 Amperes
Applicator System	ZPT81-A



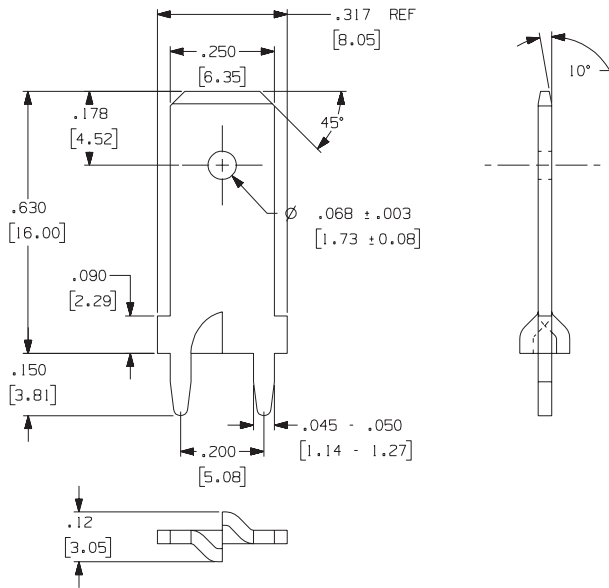
Part Numbers 1045, 6045

Loose Part No.	1045
Reeled Part No.	6045
Mounting Type	Outward or Inward Splay
Material Thickness / Type	0.032" (0.81mm) Brass
Standard Finish	Loose: 100% Tin over Copper Reeled: 100% Tin over Copper
Mounting Hole Diameter	0.058" ±0.003" (1.47mm ±0.076)
Current Rating	20 Amperes
Applicator System	Loose: ZPT81-A Reeled: Model 9700, 9700 XY



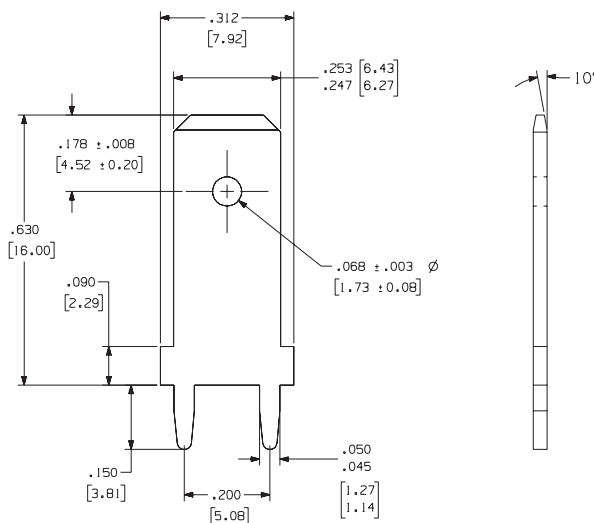
Part Numbers 1041, 6041

Loose Part No.	1041
Reeled Part No.	6041
Mounting Type	Outward or Inward Splay
Material Thickness / Type	0.032" (0.81mm) Brass
Standard Finish	Loose: 100% Tin over Copper Reeled: 100% Tin over Copper
Mounting Hole Diameter	0.058" ±0.003" (1.47mm ±0.076)
Current Rating	20 Amperes
Applicator System	Loose: ZPT81-A Reeled: Model 9700, 9700 XY



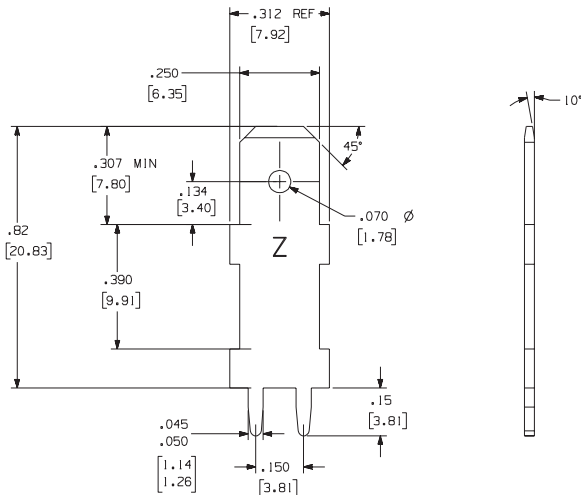
Part Numbers 1057, 6057

Loose Part No.	1057
Reeled Part No.	6057
Mounting Type	Outward or Inward Splay
Material Thickness / Type	0.032" (0.81mm) Brass
Standard Finish	Loose: 100% Tin over Copper Reeled: 100% Tin over Copper
Mounting Hole Diameter	0.058" ±0.003" (1.47mm ±0.076)
Current Rating	20 Amperes
Applicator System	Loose: ZPT81-A Reeled: Model 9700, 9700 XY



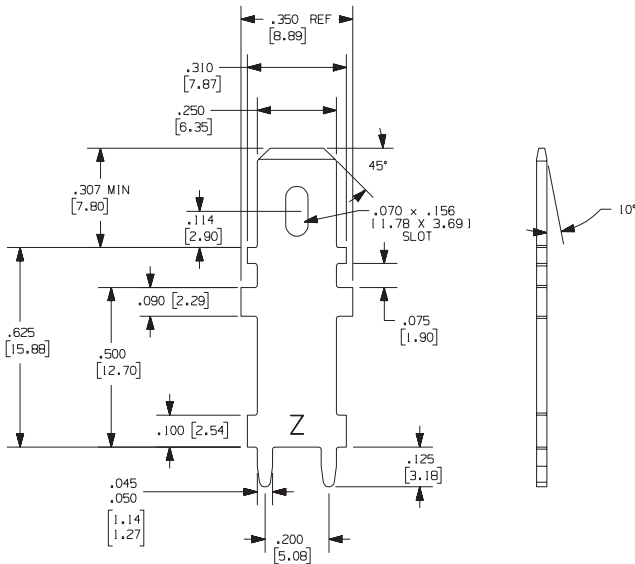
Part Numbers 972, 6224

Loose Part No.	972
Reeled Part No.	6224
Mounting Type	Outward or Inward Splay
Material Thickness / Type	0.032" (0.81mm) Brass
Standard Finish	Loose: 100% Tin over Copper Reeled: 100% Tin over Copper
Mounting Hole Diameter	0.058" ±0.003" (1.47mm ±0.076)
Current Rating	20 Amperes
Applicator System	Loose: ZPT81-A Reeled: Model 9700, 9700 XY



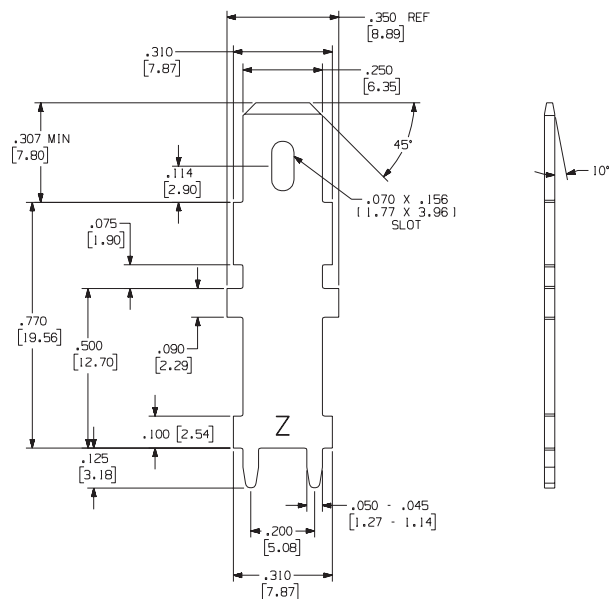
Part Number 953-MOD

Loose Part No.	953-MOD
Reeled Part No.	N/A
Mounting Type	Outward Splay
Material Thickness / Type	0.032" (0.81mm) Brass
Standard Finish	100% Tin over Copper
Mounting Hole Diameter	0.058" ±0.003" (1.47mm ±0.076)
Current Rating	20 Amperes
Applicator System	ZPT81-A



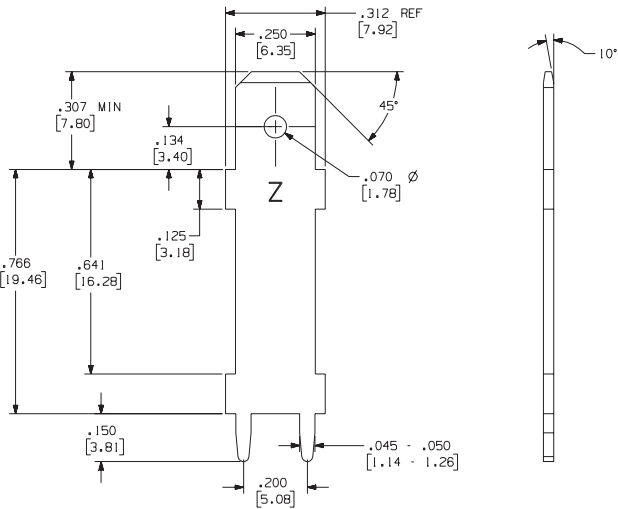
Part Numbers 1113, 6113

Loose Part No.	1113
Reeled Part No.	6113
Mounting Type	Outward or Inward Splay
Material Thickness / Type	0.032" (0.81mm) Brass
Standard Finish	Loose: 100% Tin over Copper Reeled: 100% Tin over Copper
Mounting Hole Diameter	0.058" ±0.003" (1.47mm ±0.076)
Current Rating	20 Amperes
Applicator System	Loose: ZPT81-A Reeled: Model 9700, 9700 XY



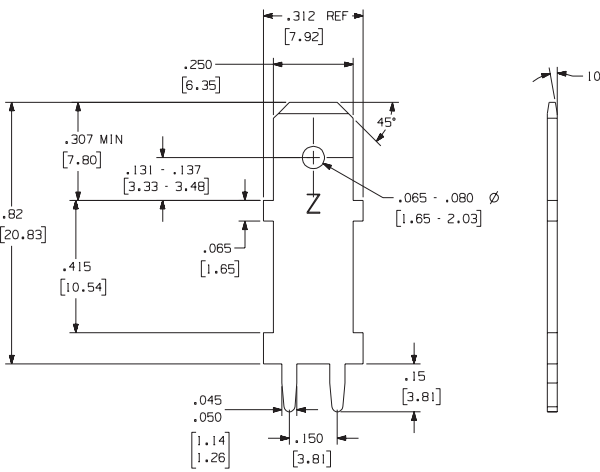
Part Numbers 1112, 6112

Loose Part No.	1112
Reeled Part No.	6112
Mounting Type	Outward or Inward Splay
Material Thickness / Type	0.032" (0.81mm) Brass
Standard Finish	Loose: 100% Tin over Copper Reeled: 100% Tin over Copper
Mounting Hole Diameter	0.058" ±0.003" (1.47mm ±0.076)
Current Rating	20 Amperes
Applicator System	Loose: ZPT81-A Reeled: Model 9700, 9700 XY



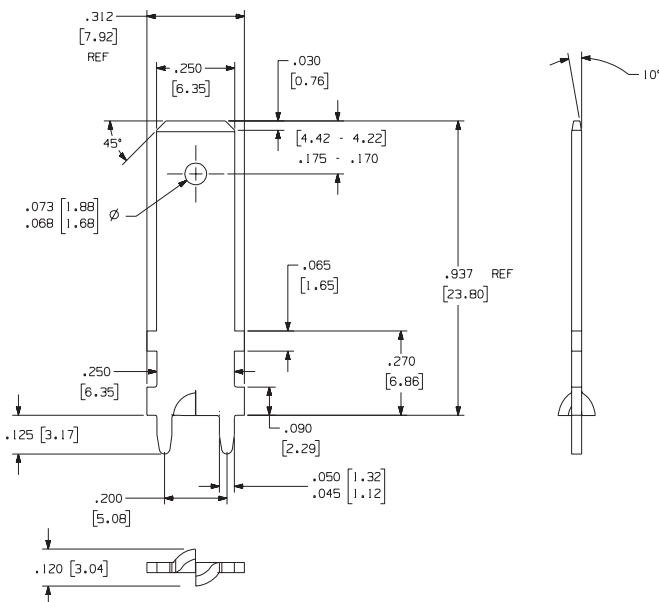
Part Number 953

Loose Part No.	953
Reeled Part No.	N/A
Mounting Type	Outward Splay
Material Thickness / Type	0.032" (0.81mm) Brass
Standard Finish	100% Tin over Copper
Mounting Hole Diameter	0.058" ±0.003" (1.47mm ±0.076)
Current Rating	20 Amperes
Applicator System	ZPT81-A



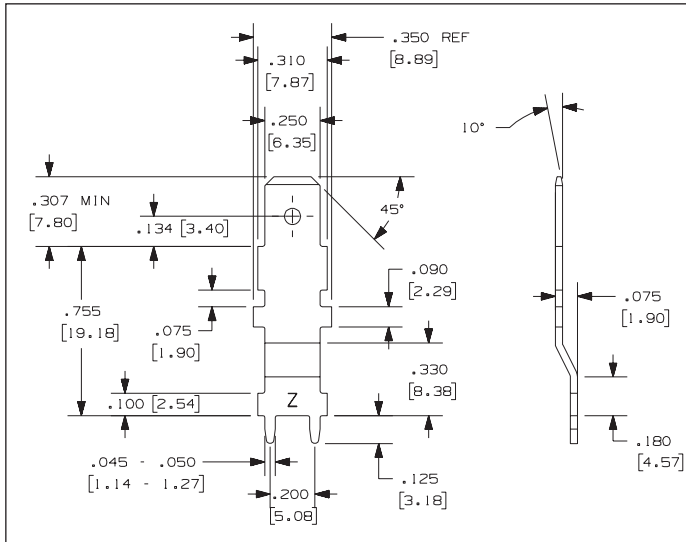
Part Number 6110

Loose Part No.	N/A
Reeled Part No.	6110
Mounting Type	Outward Splay
Material Thickness / Type	0.032" (0.81mm) Brass
Standard Finish	100% Tin over Copper
Mounting Hole Diameter	0.058" ±0.003" (1.47mm ±0.076)
Current Rating	20 Amperes
Applicator System	Model 9700, 9700 XY



Part Numbers 1173, 6173

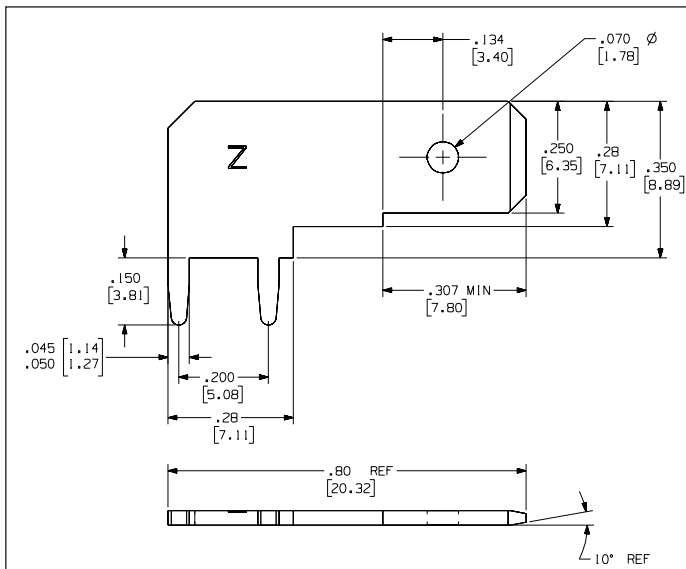
Loose Part No.	1173
Reeled Part No.	6173
Mounting Type	Outward or Inward Splay
Material Thickness / Type	0.032" (0.81mm) Brass
Standard Finish	Loose: 100% Tin over Copper Reeled: 100% Tin over Copper
Mounting Hole Diameter	0.058" ±0.003" (1.47mm ±0.076)
Current Rating	20 Amperes
Applicator System	Loose: ZPT81-A Reeled: Model 9700, 9700 XY



Part Number 1131

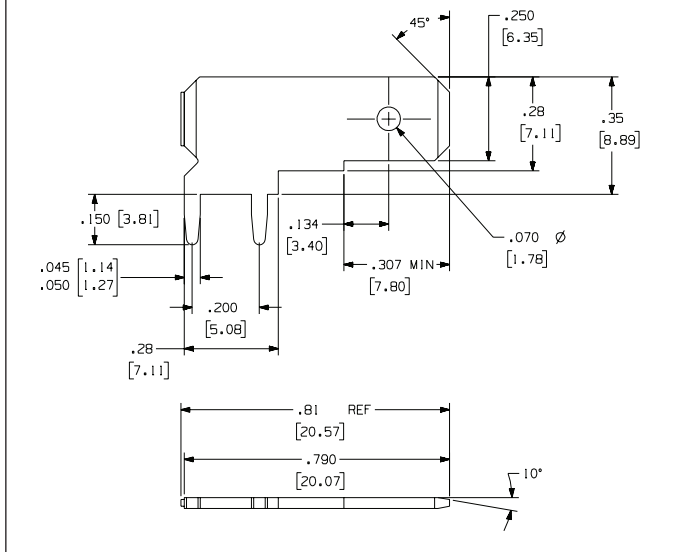
Loose Part No.	1131
Reeled Part No.	N/A
Mounting Type	Outward or Inward Splay
Material Thickness / Type	0.032" (0.81mm) Brass
Standard Finish	100% Tin over Copper
Mounting Hole Diameter	0.058" ±0.003" (1.47mm ±0.076)
Current Rating	30 Amperes
Applicator System	ZPT81-1131

0.250" (6.35mm) Right Angle Tabs / Quick Disconnect Terminals



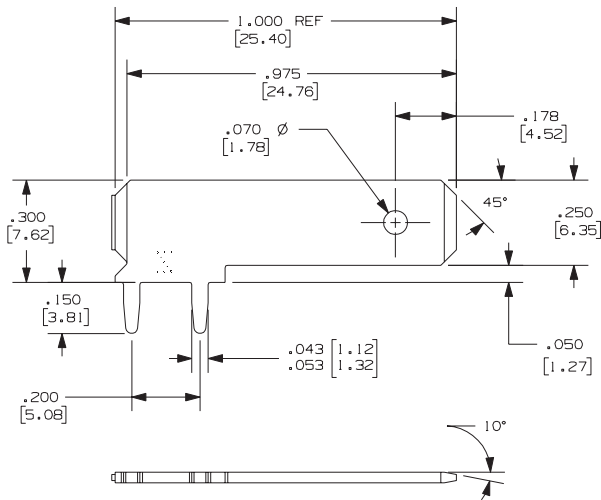
Part Number 901

Loose Part No.	901
Reeled Part No.	N/A (see PN 6901)
Mounting Type	Outward or Inward Splay
Material Thickness / Type	0.032" (0.81mm) Brass
Standard Finish	100% Tin over Copper
Mounting Hole Diameter	0.058" ±0.003" (1.47mm ±0.076)
Current Rating	20 Amperes
Applicator System	ZPT92-250



Part Number 6901

Loose Part No.	N/A (see PN 901)
Reeled Part No.	6901
Mounting Type	Outward or Inward Splay
Material Thickness / Type	0.032" (0.81mm) Brass
Standard Finish	100% Tin over Copper
Mounting Hole Diameter	0.058" ±0.003" (1.47mm ±0.076)
Current Rating	20 Amperes
Applicator System	Model 9700, 9700 XY



Part Numbers 6080, 6152

Reeled Part No.	6080	6152
Feature 'A'	0.070" (1.78mm) HOLE	No Hole
Mounting Type	Outward or Inward Splay	
Material Thickness / Type	0.032" (0.81mm) Brass	
Standard Finish	100% Tin over Copper	
Mounting Hole Diameter	0.058" ±0.003" (1.47mm ±0.076)	
Current Rating	20 Amperes	
Applicator System	Model 9700, 9700 XY	

Underwriters Lab

Zierick Manufacturing Corporation is pleased to advise that the majority of our quick disconnect tabs are recognized to U.S. and Canadian requirements under the Component Recognition Program of Underwriters Laboratories, Inc. The Component Program of Underwriters Laboratories, Inc. assures that quick disconnect terminals meet the requirements of the Underwriters Laboratories, Inc. specification number ANSI UL 310.

For a complete listing of Zierick's UL recommended Quick Disconnect terminals, visit the Zierick website, www.zierick.com and search for UL. There you will see direct links to the UL listings for the United States and for Canada.

Or you can visit the UL website, www.ul.com, and scroll to the bottom of the page. Under "Tools", select "Online Certifications Directory". In the box next to "Company Name" type "Zierick" and scroll down to press the "Search" button. A page will open which shows our Quick-Connects certified for the US and for Canada. Under "Link to File" select the country of choice and you will find the Zierick part numbers that are recognized by UL.



Features and Benefits

- Zierick's **Stable-Lok®** and **Accu-Lok™** mounting features improve the terminal retention of quick disconnect terminals to the PCB.
- Test point terminals offer exceptional designed-in flexibility allowing test engineers to easily attach test probes.
- They are available with **Accu-Lok™** mounting, for maximum PCB retention and solder joint integrity.
- The **Accu-Lok™** feature assures mounting repeatability and reduces the occurrence of fractured terminals.
- Press-fit test points are also available.
- PCB retention is achieved through a controlled splitting and forming of the terminal leg during insertion, preventing extreme hole deformation, hole damage or board warpage commonly caused by traditional press-fit terminal designs.

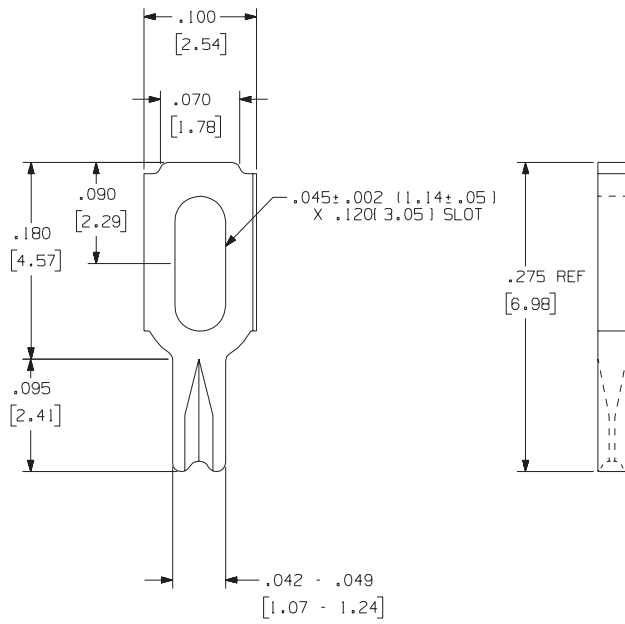


Since the unique design of **Accu-Lok™** mounting is not a press fit, it prevents hole damage and deformity.

The **Accu-Lok™** retentive mounting feature produces exceptional PCB assembly and interconnection integrity. The PCB retention of **Accu-Lok™** mounting is accomplished by a controlled splitting and forming of the terminal leg during insertion.

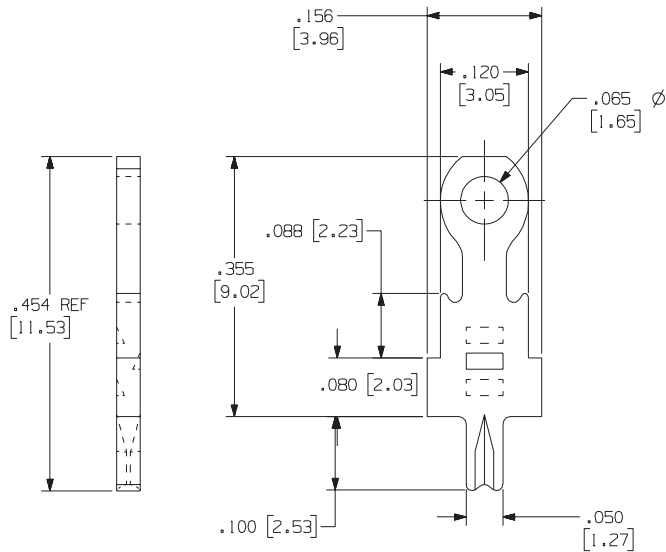


Part Numbers 1069, 6069



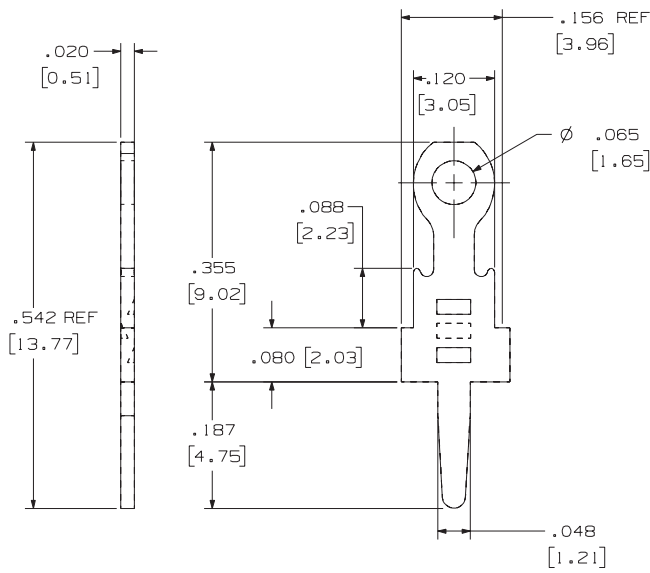
Loose Part No.	1069
Reeled Part No.	6069
Mounting Type	Split Leg Splay
Material Thickness / Type	0.025" (0.64mm) Brass
Standard Finish	Loose: 100% Tin over Copper Reeled: 100% Tin over Copper
Mounting Hole Diameter	0.055" ±0.003" (1.40mm ±0.076)
Current Rating	10 Amperes
Applicator System	Loose: ZPT81-TP Reeled: Model 9700, 9700 XY

Part Numbers 1058, 1059, 6059

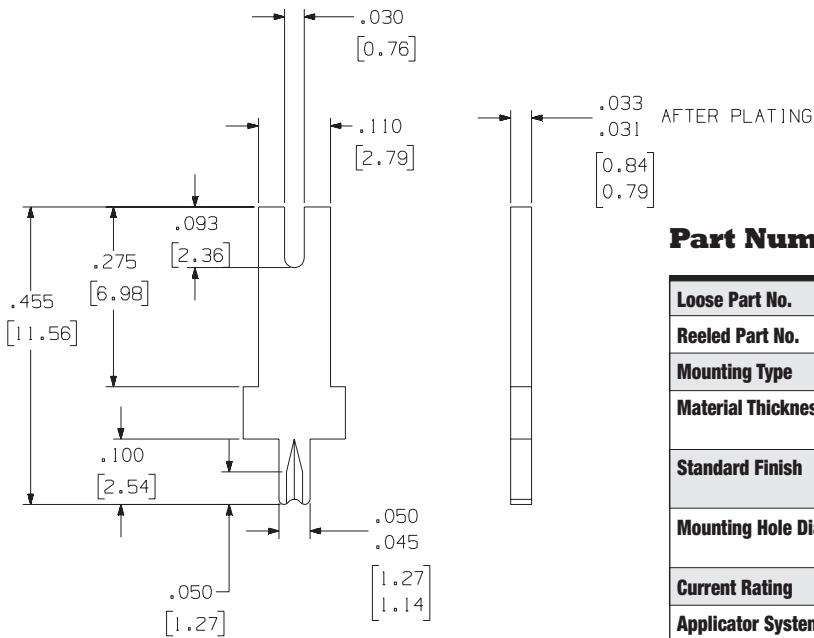


Loose Part No.	1058	1059
Reeled Part No.		6059
Mounting Type	Split Leg Splay	Split Leg Splay
Material Thickness / Type	0.020" (0.51mm) Brass	0.032" (0.81mm) Brass
Standard Finish	Loose: 100% Tin over Copper Reeled: 100% Tin over Copper	
Mounting Hole Diameter	0.046" ±0.003" (1.17mm ±0.076)	0.052" ±0.003" (1.32mm ±0.076)
Current Rating	10 Amperes	
Applicator System	Loose: ZPT81-TP Reeled: Model 9700, 9700 XY	

Part Number 1032



Loose Part No.	1032
Mounting Type	Press-Fit
Material Thickness / Type	0.020" (0.51mm) Brass
Standard Finish	Loose: 100% Tin over Copper
Mounting Hole Diameter	0.046" ±0.003" (1.17mm ±0.076)
Current Rating	10 Amperes
Applicator System	Loose: ZPT81-TP

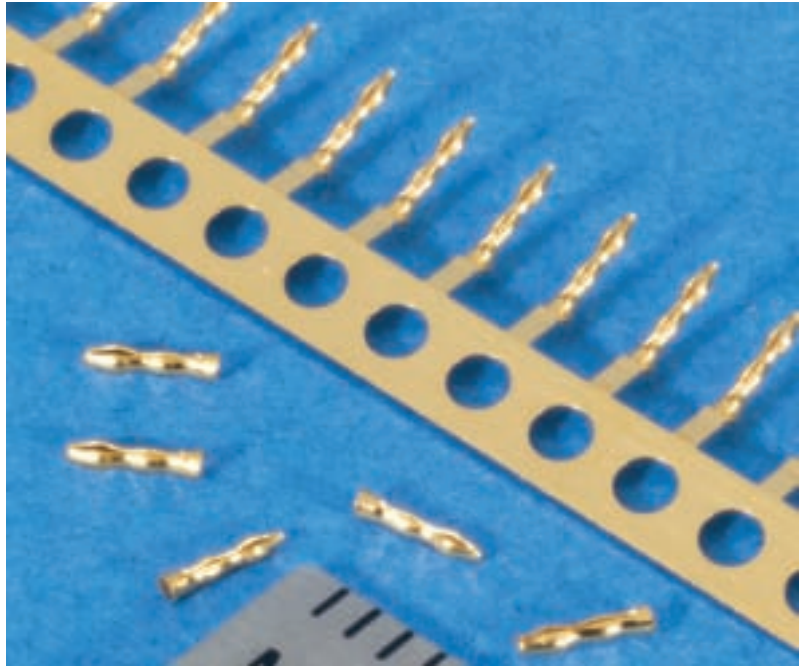


Part Numbers 6050-030, 1049-030

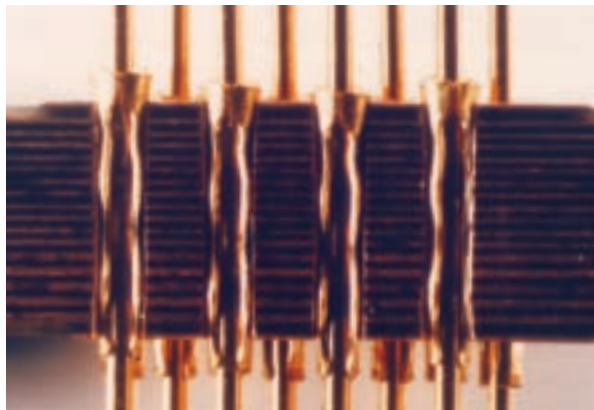
Loose Part No.	N/A	1049-030
Reeled Part No.	6050-030	N/A
Mounting Type	Split Leg Splay	Split Leg Splay
Material Thickness / Type	0.020" (0.51mm) Brass	0.032" (0.81mm) Brass
Standard Finish	Loose: 100% Tin over Copper Reeled: 100% Tin over Copper	
Mounting Hole Diameter	0.050" ±0.003" (1.27mm ±0.076)	0.054" ±0.003" (1.37mm ±0.076)
Current Rating	10 Amperes	
Applicator System	Loose: ZPT81-TP Reeled: Model 9700, 9700 XY	

Features and Benefits

- This connector enables the creation of a three-dimensional circuit by connecting stacked multi-layer circuit boards.
- It is a solderless interconnection system which utilizes pins and internal sockets.
- The system allows a staggered row grid density of 0.50" and a minimum PCB-to-PCB interface of 0.062".
- It accommodates boards with through-holes varying from 0.020" to 0.025" in diameter.
- Continuous format Pro-Wave sockets permit placement by automatic equipment in any number of pin counts on both standard and special grid spacings.

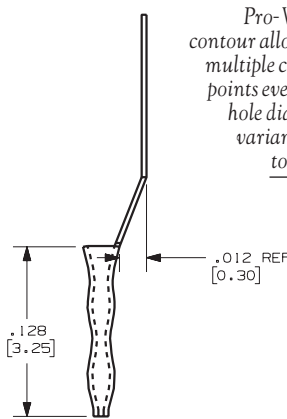
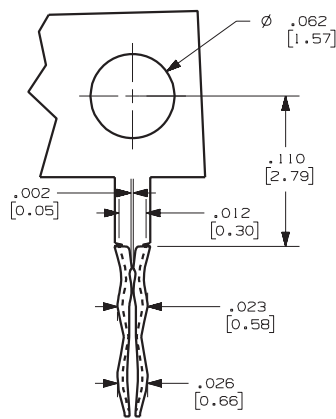
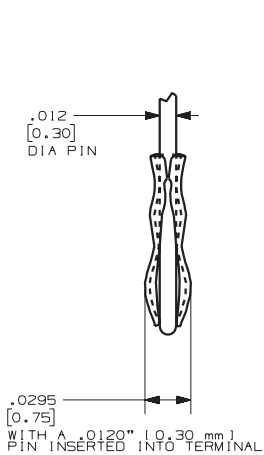


The uniquely shaped Pro-Wave socket fulfills parallel PCB stacking needs in a high-speed matched impedance environment.



Part Number 608213-22

Loose Part No.	608213-22
Material Thickness / Type	0.0035" (0.09mm) Beryllium Copper
Standard Finish	Hard Gold
Mating Pin Diameter	0.012" (0.31mm)
Receiving PCB Hole Diameter	0.020"/0.025" (0.51mm/0.64mm)
PCB Thickness	0.096" min. (2.44mm)



Pro-Wave's contour allows for multiple contact points even with hole diameter variances up to 0.005"

Beryllium copper construction with a hard gold finish ensures dependable performance.

Features and Benefits

- **Accu-Pak™** Box Connectors ensure reliable PCB-to-PCB, PCB-to-Component and PCB-to-Lead Wire interconnections.
- They come with top- or bottom-entry configurations.
- They mate easily with square, round, and rectangular terminals and posts, and are auto insertable.
- Our Box Connectors feature non-destructive beam motion, built-in overstress barriers and offer regular or high retention force configurations.
- Zierick's exclusive **Accu-Pak™** spring technology ensures predictable mating forces with ample stored energy.
- **Accu-Pak™** Connectors are highly resistant to permanent deformation even when misaligned.

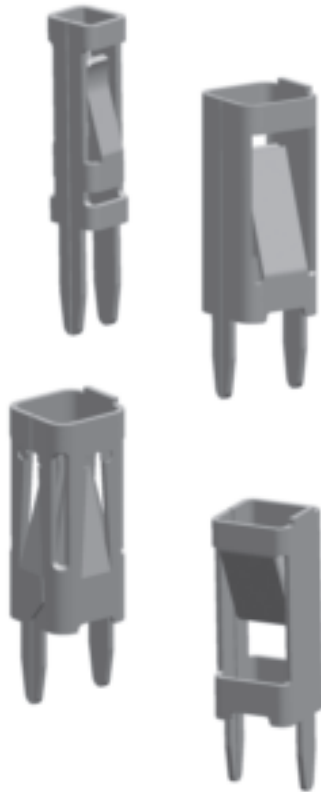


Some of Zierick's **Accu-Pak™** connector line now feature optional technology to prevent solder from wicking onto the internal contact areas during the wave solder process. Zierick's TapeResist solder masking technology is a remarkable advancement for PCB assembly as it utilizes pre-applied 0.001" (0.03mm) thick polyester film as the solder resist agent.

TapeResist allows stamped connectors to withstand internal solder wicking without the need for expensive, nonsolderable

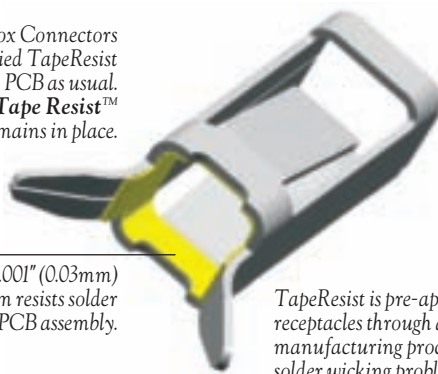
selective plated finishes. Secondary plugging or taping operations are also eliminated. The TapeResist film is precision-applied via an exclusive stamping process which eliminates the secondary processing needed with selective plating.

TapeResist connectors are applied to the PCB and processed in the exact same manner as standard connectors. Once the terminal is placed and soldered, the TapeResist film remains in place. There is no need for specialized preparation or cleaning with TapeResist connectors.

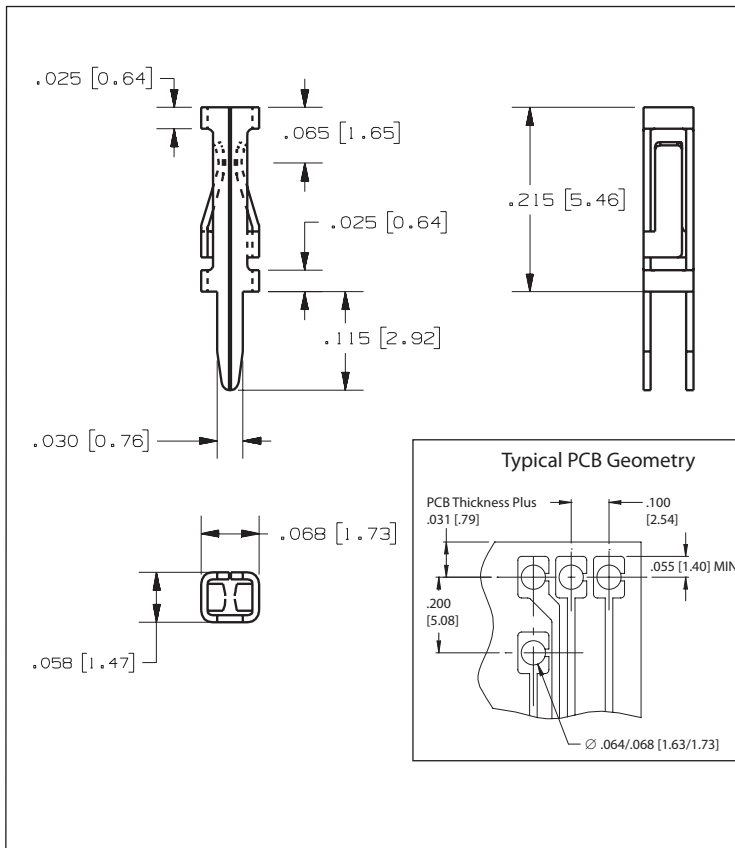


Zierick Box Connectors with pre-applied TapeResist are inserted in the PCB as usual. After soldering, the **Tape Resist™** remains in place.

The 0.001" (0.03mm) thick film resists solder during PCB assembly.



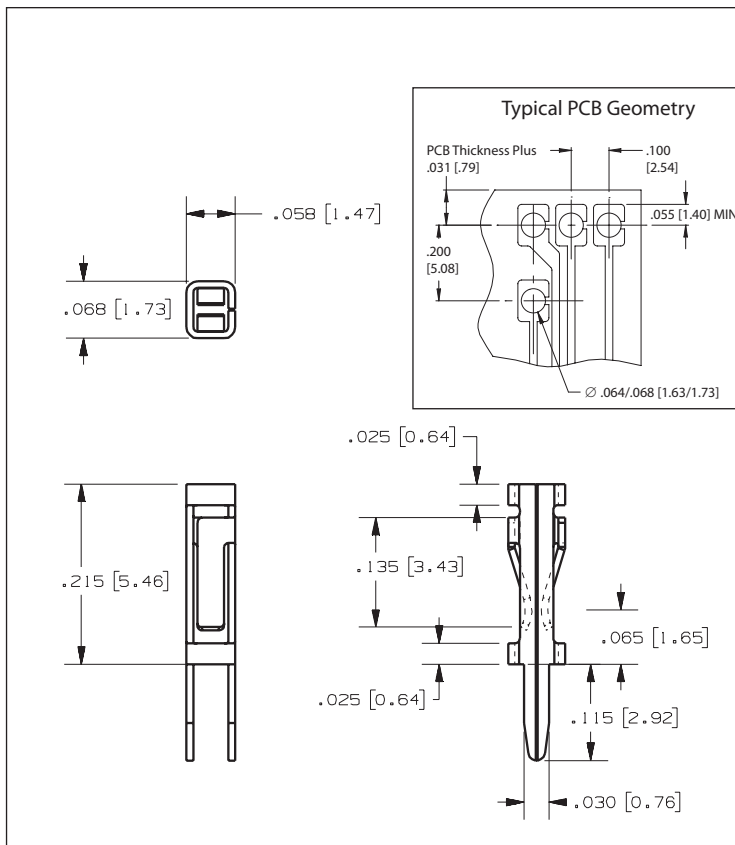
TapeResist is pre-applied to Zierick receptacles through a proprietary manufacturing process to prevent solder wicking problems.



Part Number 6100

Loose Part No.	N/A
Reeled Part No.	6100
Mating Terminal Size	0.025" (0.64mm) Rd. or Sq.
Mounting Type	Outward Splay
Material Thickness / Type	0.008" (0.20mm) Phosphor Bronze
Standard Finish	100% Tin over Copper
Mating Type	Vertical
Mating Entry	Bottom
Current Rating	3 Amperes
Resistance Rating	10mOhm Max
Temperature Rating	-65° to 105°C
Insertion Force-Max.	Application Dependent / Submit Mating Terminal Sample to Factory
Withdrawal Force-Max.	Application Dependent / Submit Mating Terminal Sample to Factory
Applicator System	Model 9700, 9700 XY

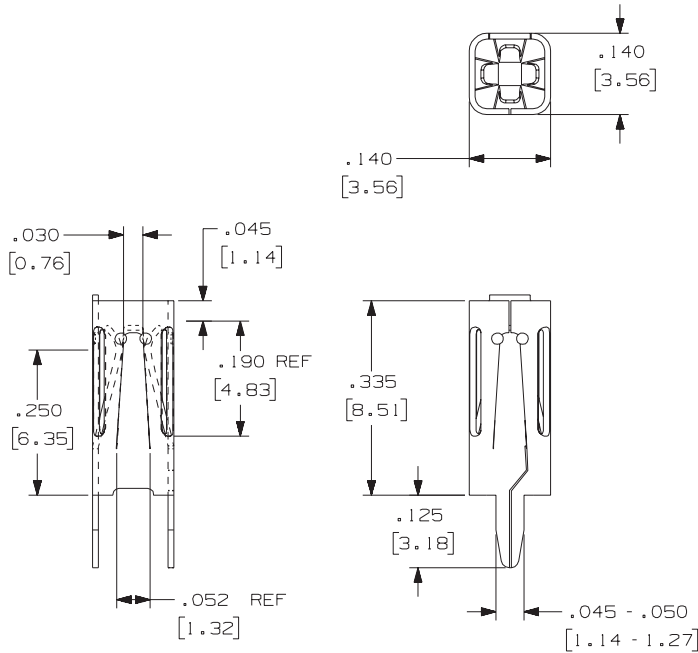
0.025" (0.64mm) Box Receptacles - Top Entry



Part Number 6101

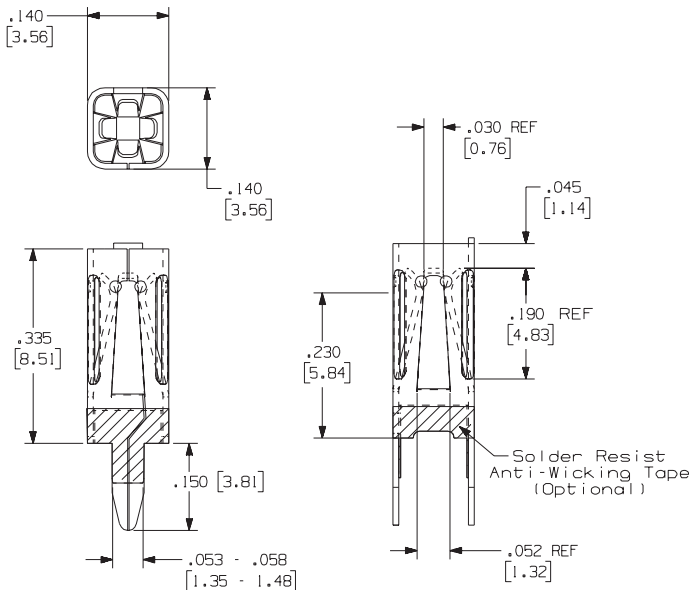
Loose Part No.	N/A
Reeled Part No.	6101
Mating Terminal Size	0.025" (0.64mm) Rd. or Sq.
Mounting Type	Outward Splay
Material Thickness / Type	0.008" (0.20mm) Phosphor Bronze
Standard Finish	100% Tin over Copper
Mating Type	Vertical
Mating Entry	Top
Current Rating	3 Amperes
Resistance Rating	10mOhm Max
Temperature Rating	-65° to 105°C
Insertion Force-Max.	Application Dependent / Submit Mating Terminal Sample to Factory.
Withdrawal Force-Max.	Application Dependent / Submit Mating Terminal Sample to Factory.
Applicator System	Model 9700, 9700 XY

Part Numbers 1062, 6062

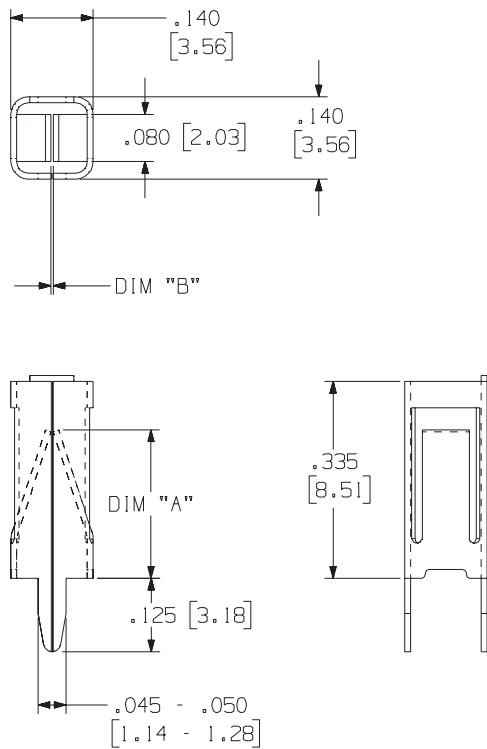


Loose Part No.	1062
Reeled Part No.	6062
Mating Terminal Size	0.045" (1.14mm) and 0.060" (1.52mm) Rd. or Sq.
Mounting Type	Outward Splay
Material Thickness / Type	0.010" (0.25mm) Phosphor Bronze
Standard Finish	Loose: 100% Tin over Copper Reeled: 100% Tin over Copper
Mating Type	Vertical
Mating Entry	Bottom
Mounting Hole Diameter	0.150" ±0.003" (3.81mm ±0.076mm)
Current Rating	10 Amperes
Resistance Rating	10mOhm Max
Temperature Rating	-65° to 105°C
Insertion Force-Max.	Application Dependent / Submit Mating Terminal Sample to Factory.
Withdrawal Force-Max.	Application Dependent / Submit Mating Terminal Sample to Factory.
Applicator System	Reeled: Model 9700, 9700 XY

Part Number 6062-101



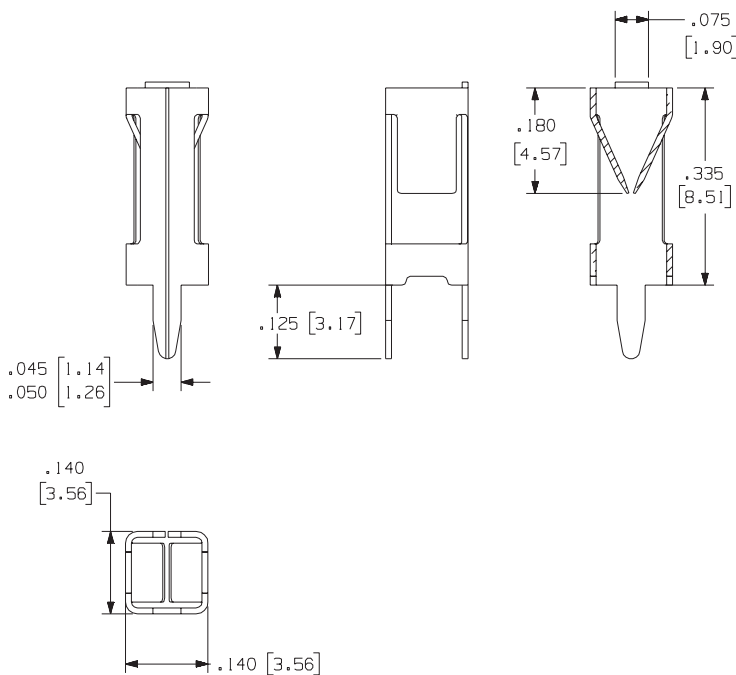
Loose Part No.	N/A
Reeled Part No.	6062-101
TapeResist™	Optional
Mating Terminal Size	0.060" (1.52mm) Rd. or Sq. 0.095" (2.41mm) Rd. or Sq.
Mounting Type	Outward Splay
Material Thickness / Type	0.010" (0.25mm) Phosphor Bronze
Standard Finish	Reeled: 100% Tin over Copper
Mating Type	Vertical
Mating Entry	Bottom
Mounting Hole Diameter	0.150" ±0.003" (3.81mm ±0.076mm)
Current Rating	10 Amperes
Resistance Rating	10mOhm Max
Temperature Rating	-65° to 105°C
Insertion Force-Max.	Application Dependent / Submit Mating Terminal Sample to Factory
Withdrawal Force-Max.	Application Dependent / Submit Mating Terminal Sample to Factory
Applicator System	Reeled: Model 9700, 9700 XY



Part Numbers 1193, 6193, 1200, 6200

Loose Part No.	1193	1200
Reeled Part No.	6193	6200
TapeResist™	Optional (6193-TR)	
Mating Terminal Size	0.025" to 0.095" (0.64mm to 2.41mm) Rd. or Sq.	0.020" to 0.095" (0.51mm to 2.41mm) Rd. or Sq.
Dim A	0.200" (5.08mm)	0.250" (6.35mm)
Dim B	0.015" (0.38mm)	0.003" (0.07mm)
Mounting Type	Outward Splay	
Material Thickness / Type	0.010" (0.25mm) Phosphor Bronze	
Standard Finish	Loose: 100% Tin over Copper Reeled: 100% Tin over Copper	
Mating Type	Vertical	
Mating Entry	Bottom	
Mounting Hole Diameter	0.150" ±0.003" (3.81mm ±0.076mm)	
Current Rating	10 Amperes	
Resistance Rating	10mOhm Max	
Temperature Rating	-65° to 105°C	
Insertion Force-Max.	Application Dependent / Submit Mating Terminal Sample to Factory.	
Withdrawal Force-Max.	Application Dependent / Submit Mating Terminal Sample to Factory.	
Applicator System	Loose: Consult Factory Reeled: Model 9700, 9700 XY	

Top Entry 2 Beam Box Receptacles

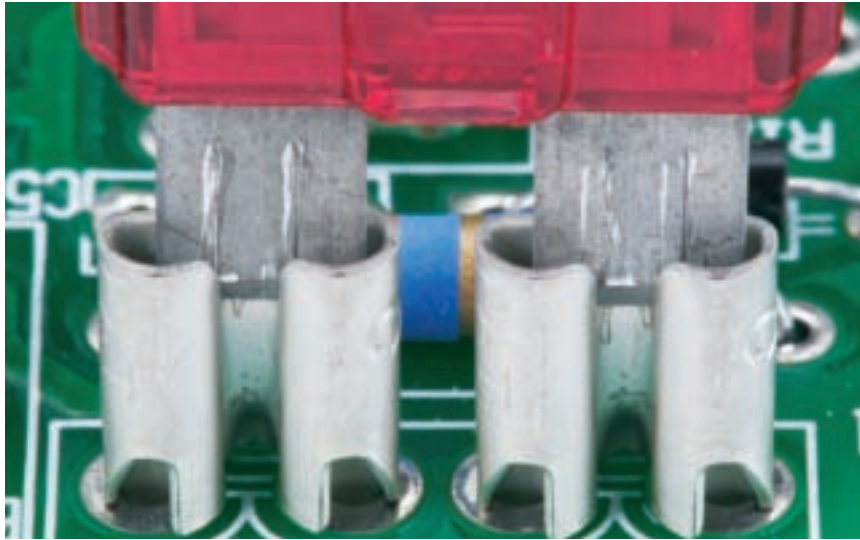


Part Numbers 1187, 6187

Loose Part No.	1187
Reeled Part No.	6187
Mating Terminal Size	0.025" (0.64mm) to 0.095" (2.41mm) Rd. or Sq.
Mounting Type	Outward Splay
Material Thickness / Type	0.010" (0.25mm) Phosphor Bronze
Standard Finish	Loose: 100% Tin over Copper Reeled: 100% Tin over Copper
Mating Type	Vertical
Mating Entry	Top
Mounting Hole Diameter	2 holes 0.050" ±0.003" (3.81mm ±0.076mm) on 0.130" ±0.003" (3.302mm ±0.003mm) centers
Current Rating	10 Amperes
Resistance Rating	10mOhm Max
Temperature Rating	-65° to 105°C
Insertion Force-Max.	Application Dependent / Submit Mating Terminal Sample to Factory.
Withdrawal Force-Max.	Application Dependent / Submit Mating Terminal Sample to Factory.
Applicator System	Loose: Consult factory Reeled: Model 9700, 9700 XY

Features and Benefits

- *Accu-Pak™* receptacles are available in many geometries.
- They provide dependable connections and exhibit exceptional performance.
- The contact spring design ensures predictable mating forces and high resistance to permanent deformation.
- These receptacles mate easily with standard male terminals, posts, and blade or fuse type terminals.
- They withstand repeated mating, shock, vibration, and thermal cycling.
- Options include **Stable-Lok®** mounting.
- PCB assembly can be done manually with Zierick hand tools, or automatically with Zierick semi- and fully-automated applicators.



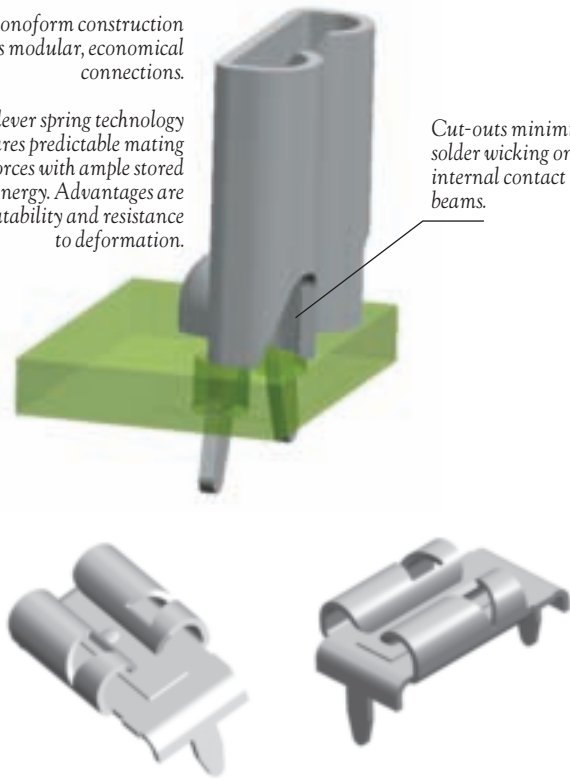
For highly repeatable PCB-to-PCB, PCB-to-Component, PCB-to-Lead Wire, and auto fuse interconnections, **Accu-Pak™** PCB mountable receptacles offer outstanding yet economical performance. Vertical and horizontal configurations are easily accomplished.

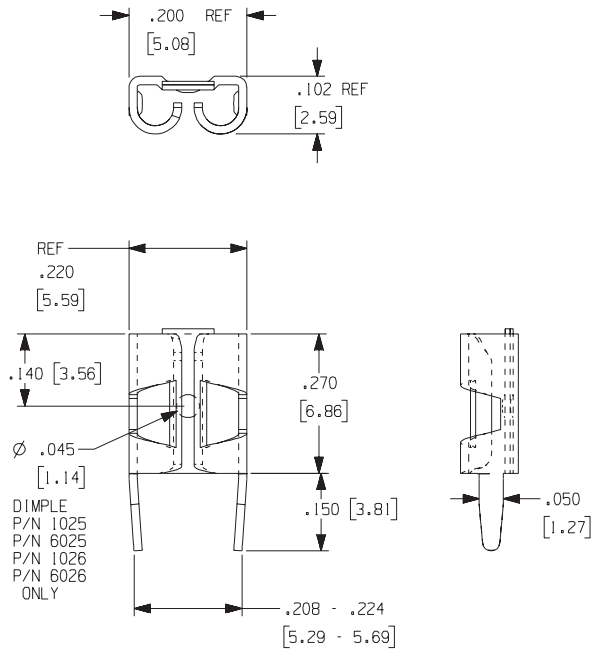


Monoform construction allows modular, economical connections.

Cantilever spring technology ensures predictable mating forces with ample stored energy. Advantages are repeatability and resistance to deformation.

Cut-outs minimize solder wicking onto internal contact beams.

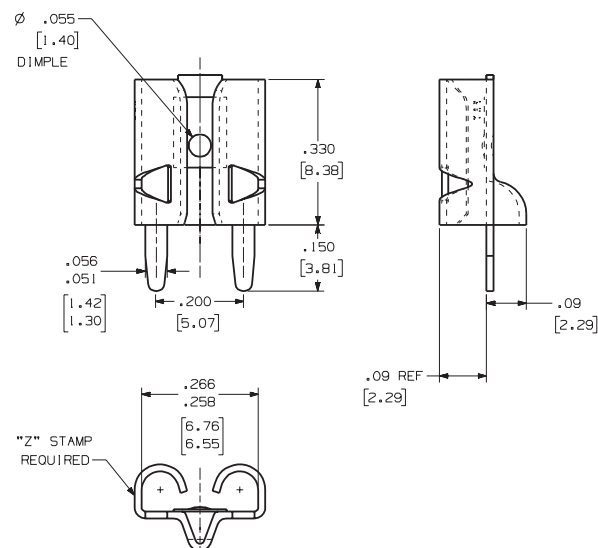




Part Numbers
1241, 6241, 1026, 6026, 1025, 6025

Loose Part No.	1241	1026	1025
Reeled Part No.	6241	6026	6025
Mating Terminal Size	0.187" x 0.015" (4.75mm x 0.38mm) Tab	0.187" x 0.020" (4.75mm x 0.51mm) Tab	0.187" x 0.032" (4.75mm x 0.81mm) Tab
Mounting Type	Outward or Inward Splay		
Material Thickness / Type	0.016" (0.41mm) Brass		
Standard Finish	Loose: 100% Tin over Copper Reeled: 100% Tin over Copper		
Mounting Hole Diameter	2 holes 0.058" ±0.003" (1.473mm ±0.076mm) on 0.200" ±0.003" (5.08mm ±0.076mm) centers		
Current Rating	15 Amperes		
Resistance Rating	10mOhm Max		
Temperature Rating	-65° to 85°C		
Applicator System	Loose: ZPT81-A Reeled: Model 9700, 9700 XY		

0.205" (5.21mm) and 0.250" (6.35mm) Tab Receptacles

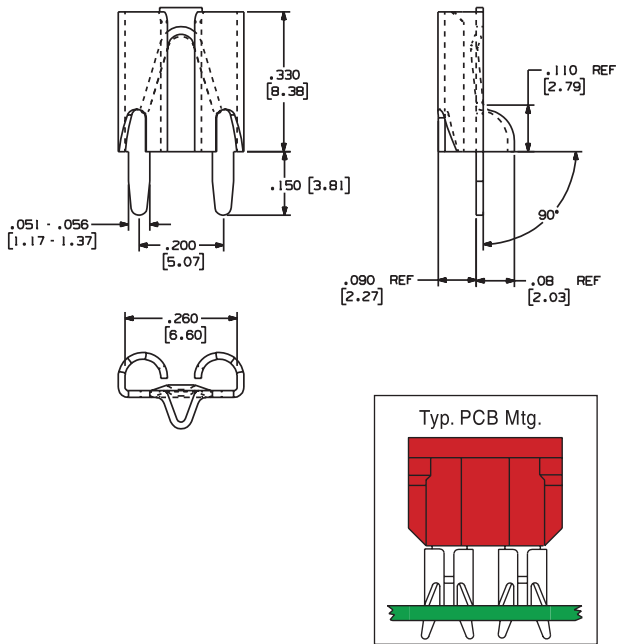


Part Numbers
1022, 6022, 1037, 6037, 1123, 6123

Loose Part No.	1022	1037	1123
Reeled Part No.	6022	6037	6123
Mating Terminal Size	0.250" x 0.032" (6.35mm x 0.81mm) Tab*	0.250" x 0.032" (6.35mm x 0.81mm) Tin/Brass - Tab - (Low Insertion Force)	0.250" x 0.025" (6.35mm x 0.63mm) Tin/Non-Brass - Relays or Fuses - Dual/Multiple Mating
	0.205" x 0.032" (5.21mm x 0.81mm) Tab*	0.205" x 0.032" (5.21mm x 0.81mm) Tin/Brass - Tab - (Low Insertion Force)	0.205" x 0.025" (5.21mm x 0.64mm) Tin/Non-Brass - Relays or Fuses - Dual/Multiple Mating
Mounting Type	Outward or Inward Splay		
Material Thickness / Type	0.016" (0.41mm) Brass		
Standard Finish	Loose: 100% Tin over Copper Reeled: 100% Tin over Copper		
Mating Entry	Top		
Mounting Hole Diameter	0.058" ±0.003" (1.473mm ±0.076mm) on 0.200" ±0.003" (5.08mm ±0.076mm) centers		
Current Rating	20 Amperes*		
Resistance Rating	10mOhm Max		
Temperature Rating	-65° to 85°C		
Applicator System	Loose: ZPT81-A Reeled: Model 9700, 9700 XY		

*With Brass Tab

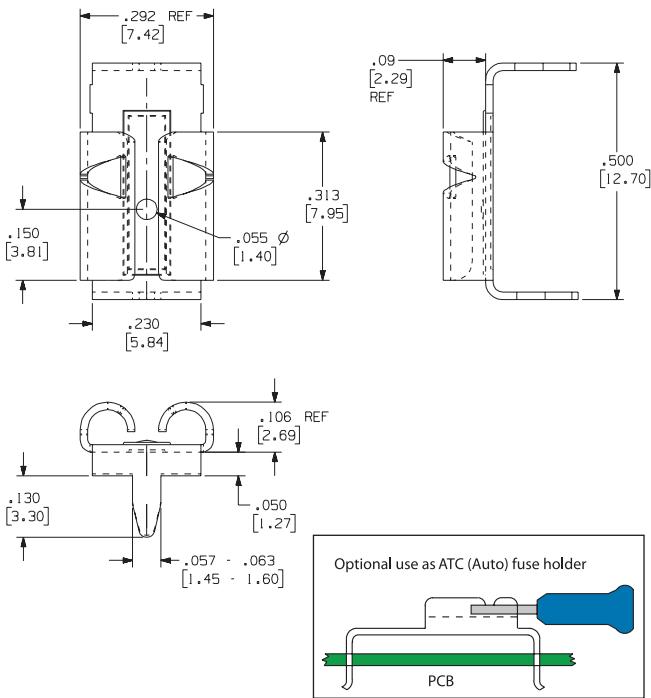
Part Numbers 1154, 6154, 1225, 6225



Loose Part No.	1154	1225
Reeled Part No.	6154	6225
Mating Terminal Size	0.250" x 0.025" (6.35mm x 0.64mm) Tab or Fuse	0.250" x 0.032" (6.35mm x 0.81mm) Tab
Insertion Force-Max.	5.0 lbs. (22.24N)*	10.0 lbs. (44.48N)*
Withdrawal Force-Min.	1.5 lbs. (6.73N)*	
Mounting Type	Outward or Inward Splay	
Material Thickness / Type	0.016" (0.41mm) Brass	
Standard Finish	Loose: 100% Tin over Copper Reeled: 100% Tin over Copper	
Mating Entry	Top	
Mounting Hole Diameter	0.058" ±0.003" (1.473mm ±0.076mm) on 0.200" ±0.003" (5.08mm ±0.076mm) centers	
Current Rating	20 Amperes (with Brass Tab)	
Resistance Rating	10mOhm Max	
Temperature Rating	-65° to 85°C	
Applicator System	Loose: ZPT81-A Reeled: Model 9700, 9700 XY	

*With Steel Test Tab

Note: Insertion/Extraction withdrawal forces may vary when using commercial fuses.

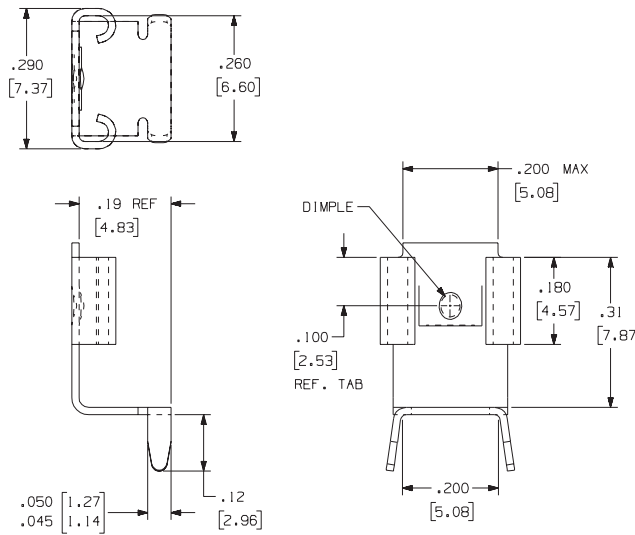


Part Numbers 1093, 1090

Loose Part No.	1093	1090
Mating Terminal Size	0.250" x 0.032" (6.35mm x 0.81mm) Tab	0.250" x 0.025" (6.35mm x 0.64mm) Tab
	0.205" x 0.032" (5.21mm x 0.81mm) Tab	0.205" x 0.025" (5.21mm x 0.64mm) Tab
Insertion Force-Max.	10.0 lbs. (44.48N)*	5.0 lbs. (22.24N)*
Withdrawal Force-Min.	2.0 lbs. (8.90N)*	1.0 lb. (4.45N)*
Mounting Type	Outward or Inward Splay	
Mating Type	Horizontal	
Material Thickness Type	0.016" (0.41mm) Brass	
Standard Finish	Loose: 100% Tin over Copper	
Mating Entry	Horizontal	
Mounting Hole Diameter	2 holes 0.063" ±0.003" (1.6mm ±0.076mm) on 0.500" ±0.003" (12.7mm ±0.076mm) centers	
Current Rating	20 Amperes	
Resistance Rating	10mOhm Max	
Temperature Rating	-65° to 85°C	

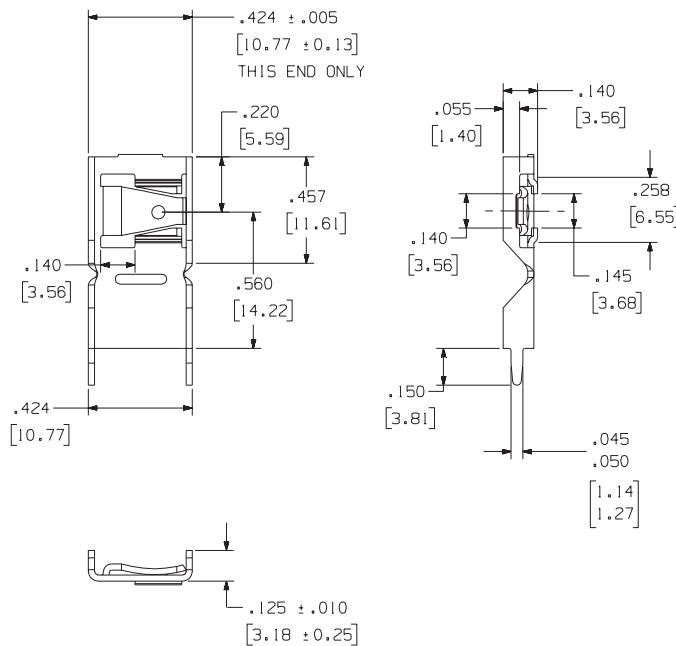
*With Steel Test Tab

Part Numbers 983, 984



Loose Part No.	983	984
Reeled Part No.	N/A	N/A
Mating Terminal Size	0.250" x 0.016" (6.35mm x 0.41mm) Tin/Brass Male	0.250" x 0.032" (6.35mm x 0.81mm) Tin/Brass Male
Mounting Type	Outward or Inward Splay	
Material Thickness / Type	0.015" (0.38mm) Brass	
Standard Finish	100% Tin over Copper	
Mating Type	Vertical	
Mating Entry	Top Side	
Mounting Hole Diameter	2 holes 0.058" ±0.003" (1.473mm ±0.076mm) on 0.200" ±0.005" (5.08mm ±0.127mm) centers	
Current Rating	10 Amperes	15 Amperes
Resistance Rating	10mOhm Max	
Temperature Rating	-65° to 85°C	
Applicator System	Consult Factory	

Part Number 6120



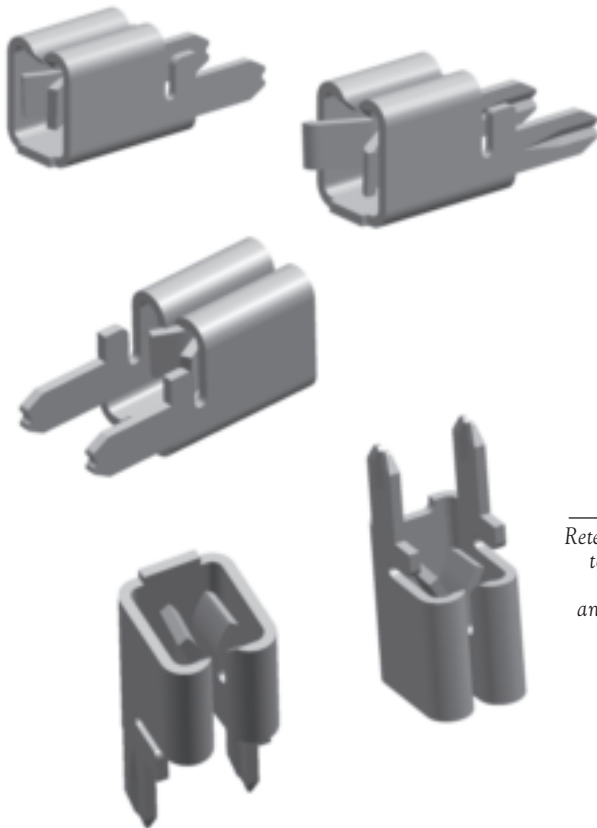
Loose Part No.	N/A
Reeled Part No.	6120
Mating Terminal Size	0.250" x 0.032" (6.35mm x 0.81mm) Tin/Brass Male and Relays Dual/Multiple Matings
Mounting Type	Outward or Inward Splay
Mating Type	Horizontal
Material Thickness / Type	0.025" (0.64mm) Brass
Standard Finish	100% Tin over Copper
Mating Entry	Horizontal
Mounting Hole Diameter	2 holes 0.052" ±0.003" (1.32mm ±0.076mm) on 0.400" ±0.005" (10.16mm ±0.127mm) centers
Current Rating	25 Amperes
Resistance Rating	20mOhm Max
Temperature Rating	-65° to 85°C
Applicator System	Model 9700, 9700 XY Bending Tool: ZPT-1120BT

Features and Benefits

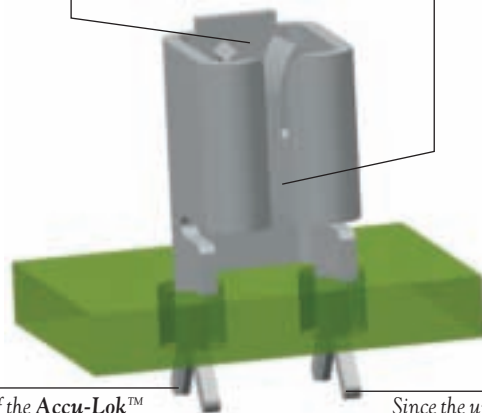
- These Tab Receptacles provide dependable connections and exhibit exceptional performance.
- The contact spring design ensures predictable mating forces and high resistance to permanent deformation.
- These receptacles mate easily with standard male terminals, posts, and blade or fuse type terminals.
- They withstand repeated mating, shock, vibration, and temperature cycling.
- They feature **Accu-Lok™** mounting for maximum PCB retention and solder joint integrity.
- PCB assembly can be done manually with Zierick hand tools, or automatically with Zierick semi- and fully-automated applicators.



These **Accu-Pak™** PCB mountable receptacles are offered in many geometries including vertical, horizontal, parallel, perpendicular and stacking PCB packaging configurations. They offer outstanding yet economical performance.



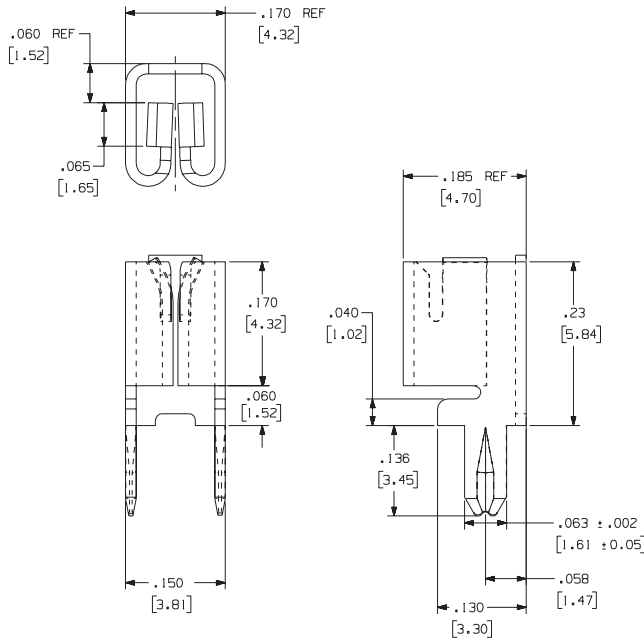
Universal Tab Receptacles can mate with Tabs placed vertically into the top (or bottom of Bottom Entry Receptacles), or perpendicular to the PCB between the two contact beams.



Retention of the **Accu-Lok™** to the PCB is accomplished by a controlled splitting and forming of the terminal leg during insertion.

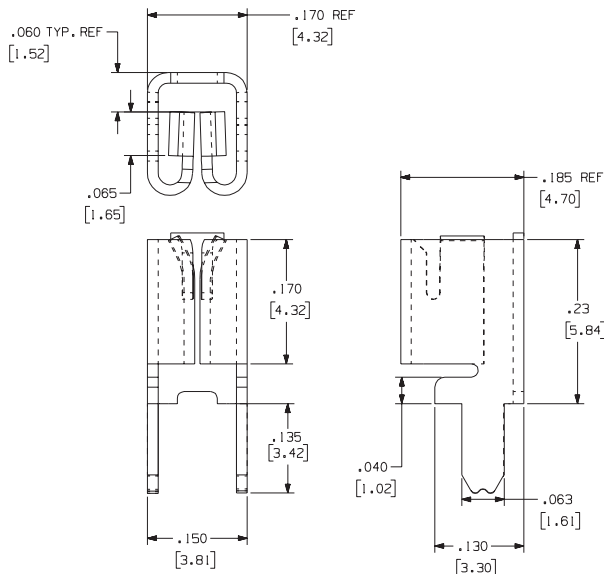
Since the unique design of the **Accu-Lok™** mounting leg is not a press fit, it causes no damage or deformity to the PCB hole.

**Part Numbers 1092, 6092,
1092T-KT, 1274, 1274T, 6274**



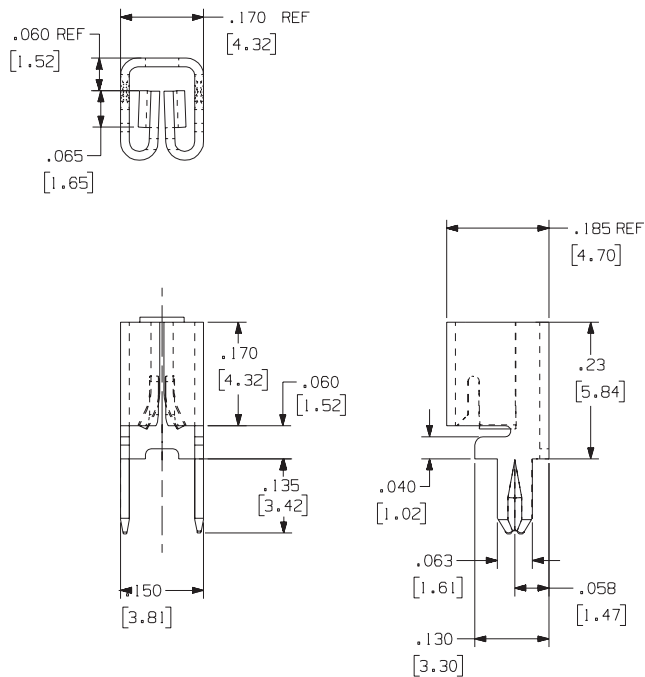
Loose Part No.	1092	1274
Reeled Part No.	6092	6274
Taped Part No.	1092T-KT	1274T
Mating Terminal Size	0.025" (0.64mm) and 0.032" (0.81mm)	0.020" (0.51mm) and 0.032" (0.81mm)
Mounting Type	Split Leg Inward Splay	
Material Thickness / Type	0.016" (0.41mm) Brass	
Standard Finish	Loose: 100% Tin over Copper Reeled: 100% Tin over Copper	
Mating Entry	Top and Horizontal	
Mounting Hole Diameter	2 holes 0.066" ±0.003" (1.68mm ±0.76mm) on 0.134" ±0.003" (3.40mm ±0.76mm) centers	
Current Rating	20 Amperes	
Resistance Rating	10mOhm Max	
Temperature Rating	-65° to 85°C	
Applicator System	Loose: ZPT81-1092 Reeled: Model 9700, 9700 XY	

Part Numbers 1290, 6290



Loose Part No.	1290
Reeled Part No.	6290
Mating Terminal Size	0.025" (0.64mm) and 0.032" (0.81mm)
Mounting Type	Inward or Outward Splay
Material Thickness / Type	0.016" (0.41mm) Brass
Standard Finish	Loose: 100% Tin over Copper Reeled: 100% Tin over Copper
Mating Entry	Top and Horizontal
Mounting Hole Diameter	2 holes 0.066" ±0.003" (1.68mm ±0.76mm) on 0.134" ±0.003" (3.40mm ±0.76mm) centers
Current Rating	20 Amperes
Resistance Rating	10mOhm Max
Temperature Rating	-65° to 85°C
Applicator System	Loose: ZPT81-1092 Reeled: Model 9700, 9700 XY

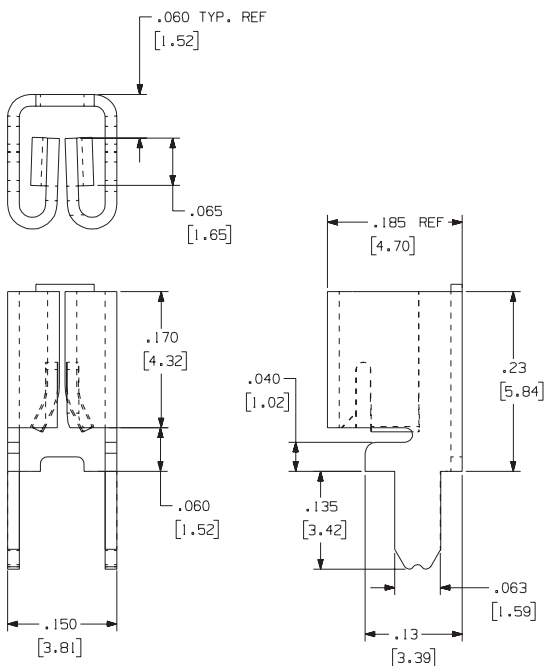
Universal Tab Receptacles for 0.025" (0.64mm) and 0.032" (0.81mm) Thick Terminals



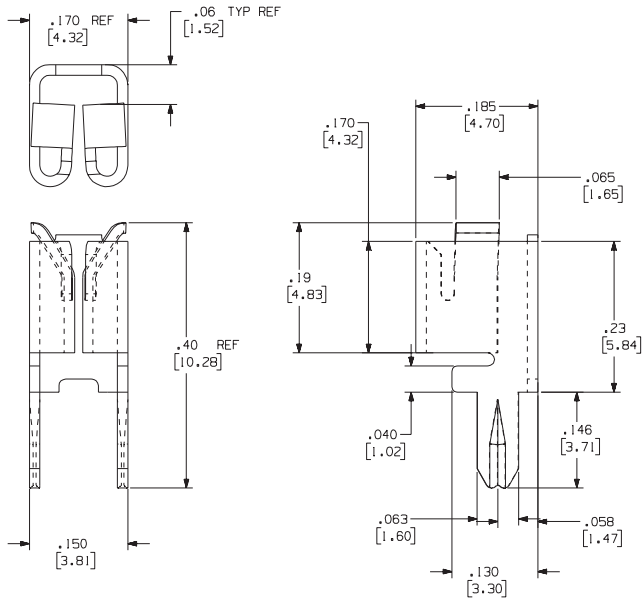
Part Numbers 1118, 1118T, 6118, 1188, 6188

Loose Part No.	1118	1188
Reeled Part No.	6118	6188
Taped Part No.	1118T	N/A
Mating Terminal Size	0.025" (0.64mm) and 0.032" (0.81mm)	0.015" (0.38mm) and 0.025" (0.64mm)
Mounting Type	Split Leg Outward Splay	
Material Thickness / Type	0.016" (0.41mm) Brass	
Standard Finish	Loose: 100% Tin over Copper Reeled: 100% Tin over Copper	
Mating Type	Bottom and Horizontal	
Mounting Hole Diameter	2 holes 0.066" ±0.003" (1.68mm ±0.76mm) on 0.134" ±0.003" (3.40mm ±0.76mm) centers	
Current Rating	20 Amperes	
Resistance Rating	10mOhm Max	
Temperature Rating	-65° to 85°C	
Applicator System	Loose: ZPT81-1092 Reeled: Model 9700, 9700 XY	

Part Numbers 1288, 6288



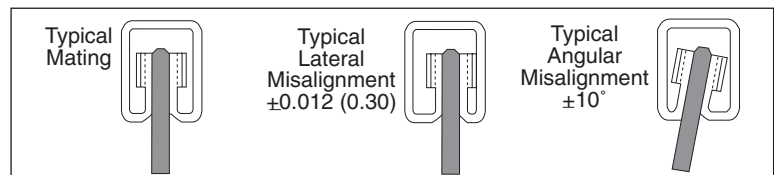
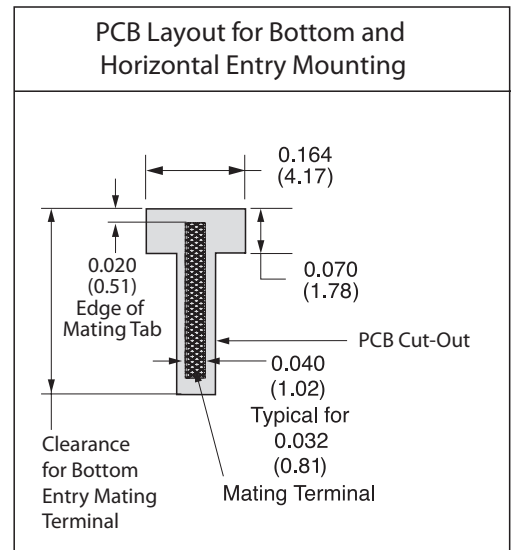
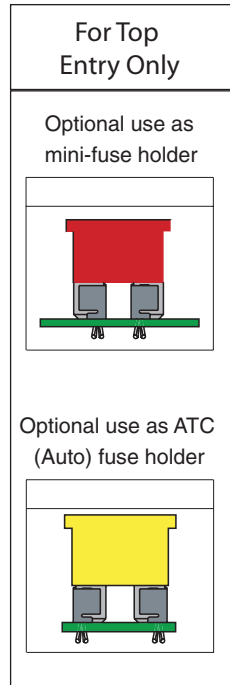
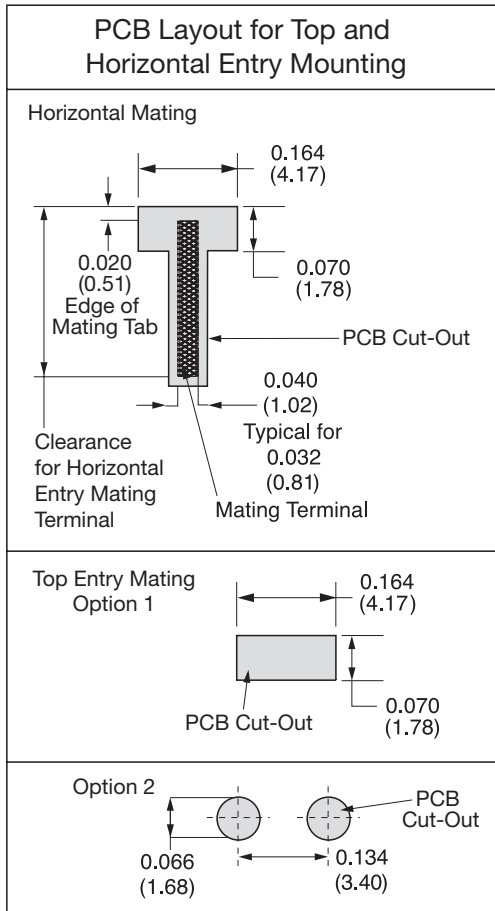
Loose Part No.	1288
Reeled Part No.	6288
Mating Terminal Size	0.015" (0.38mm) and 0.025" (0.64mm)
Mounting Type	Inward or Outward Splay
Material Thickness / Type	0.016" (0.41mm) Brass
Standard Finish	Loose: 100% Tin over Copper Reeled: 100% Tin over Copper
Mating Type	Bottom and Horizontal
Mounting Hole Diameter	2 holes 0.066" ±0.003" (1.68mm ±0.76mm) on 0.134" ±0.003" (3.40mm ±0.76mm) centers
Current Rating	20 Amperes
Resistance Rating	10mOhm Max
Temperature Rating	-65° to 85°C
Applicator System	Loose: ZPT81-1092 Reeled: Model 9700, 9700 XY



Part Numbers 1299, 6299

Loose Part No.	1299
Reeled Part No.	6299
Mating Terminal Size	0.015" (0.38mm) and 0.025" (0.64mm)
Mounting Type	Split Leg Inward Splay
Material Thickness / Type	0.016" (0.41mm) Brass
Standard Finish	Loose: 100% Tin over Copper Reeled: 100% Tin over Copper
Mating Type	Bottom and Horizontal
Mounting Hole Diameter	2 holes 0.066" ±0.003" (1.68mm ±0.76mm) on 0.134" ±0.003" (3.40mm ±0.76mm) centers
Current Rating	20 Amperes
Resistance Rating	10mOhm Max
Temperature Rating	-65° to 85°C
Applicator System	Loose: ZPT81-1092 Reeled: Model 9700, 9700 XY

Recommended PCB Layouts for Universal Tab Receptacles



Features and Benefits

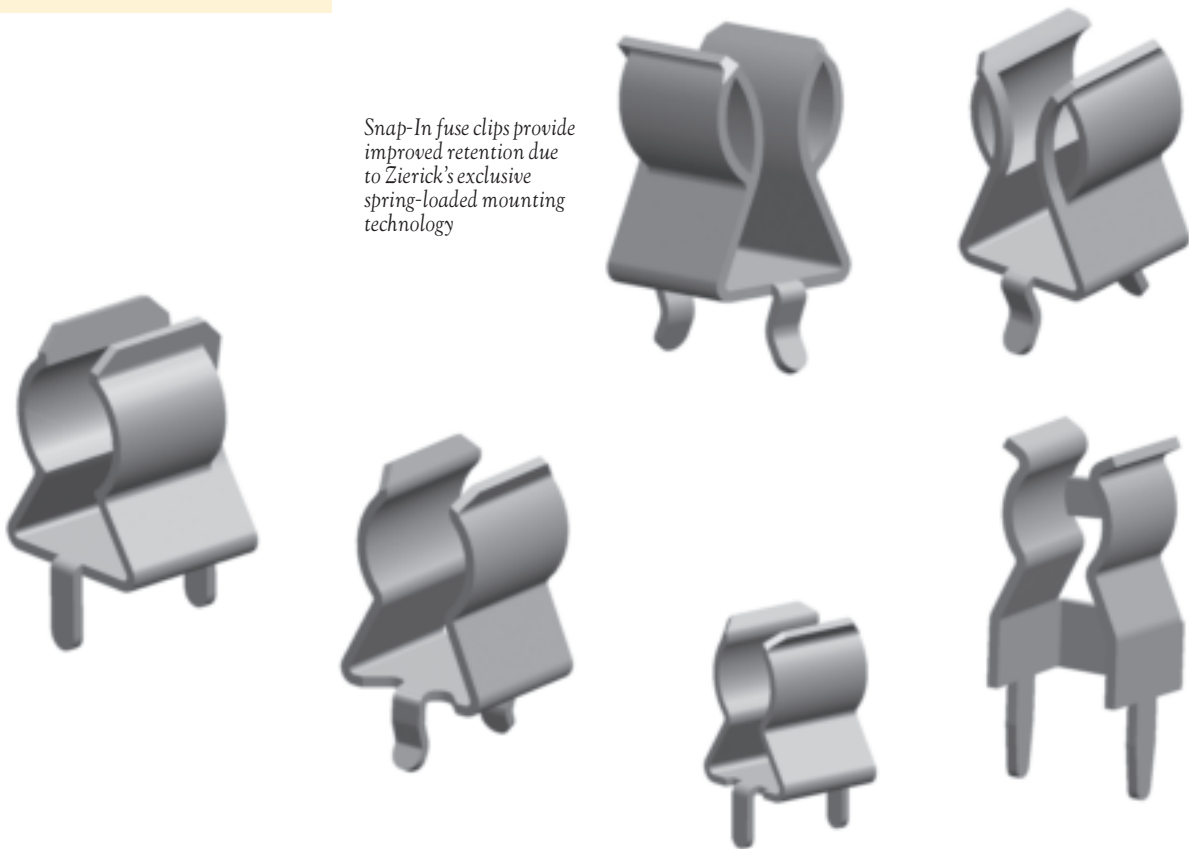
- Zierick's Snap-In fuse clips ensure reliable mounting through the incorporation of a spring-loaded mounting leg.
- Snap-In terminals will withstand side loading and rough PCB handling.
- The Snap-In feature is especially useful with manually inserted and robotic assembly applications where an extremely low terminal mounting force is required.
- Both Snap-In and standard fuse clips are available for 1/4" (6.35mm) and 0.197" (5mm) cylindrical fuse sizes.

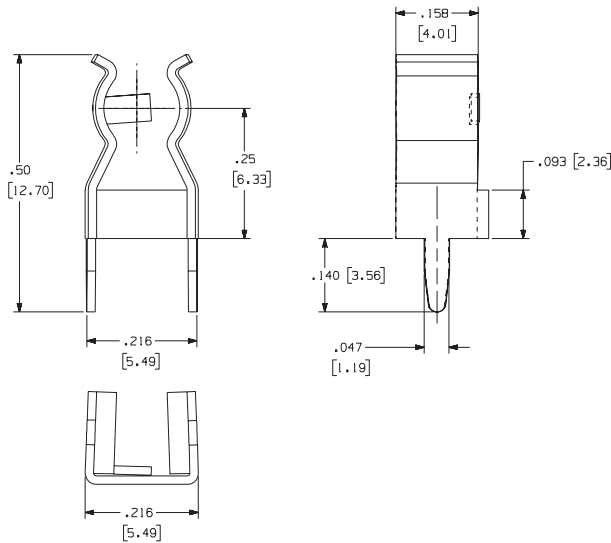


Zierick's exclusive Snap-In PCB fuse mounting technology features a spring-loaded mounting leg which enhances PCB quality and reliability. When inserted in a PCB, Snap-In terminals exhibit

increased retention, strength, and durability. Snap-In and standard fuse clips are available in loose piece format, with or without integral fuse stops.

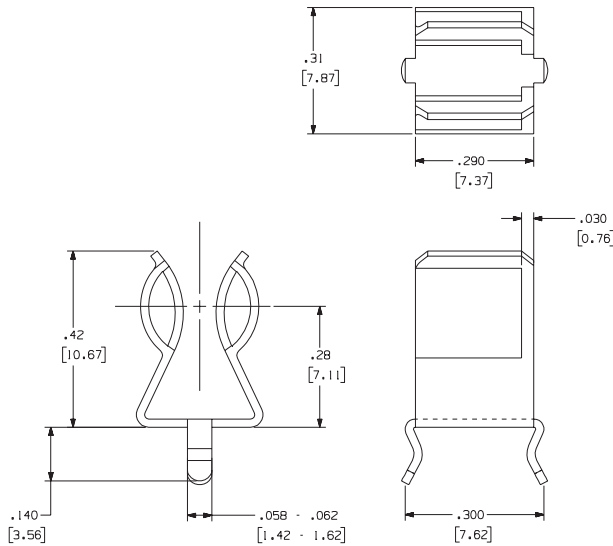
Snap-In fuse clips provide improved retention due to Zierick's exclusive spring-loaded mounting technology





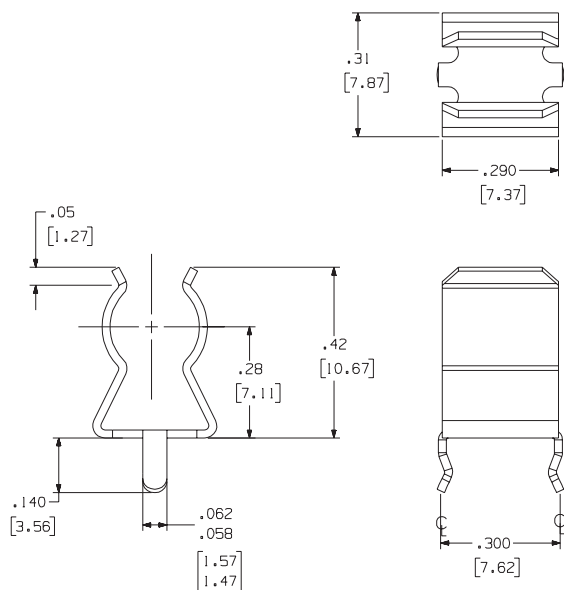
Part Number 990

Loose Part No.	990
Fuse Size	0.197" (5mm)
Fuse Receptacle Type	With Fuse Stop
Material Thickness / Type	0.016" (0.41mm) Brass
Standard Finish	100% Tin over Copper
Mounting Hole Diameter	0.052" (1.32mm)
Current Rating	15 Amperes



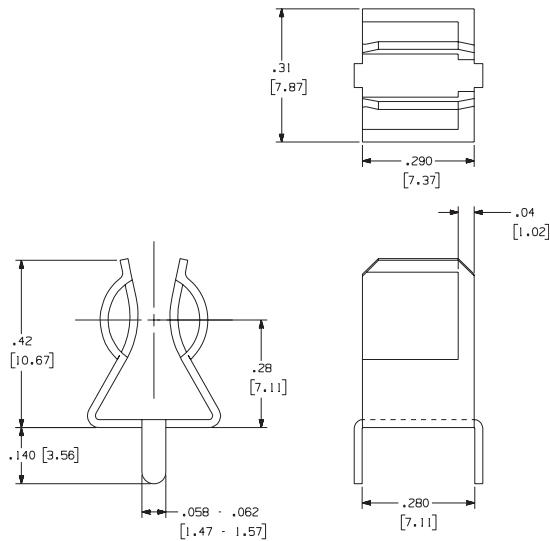
Part Number 1047

Loose Part No.	1047
Fuse Size	1/4" (6.35mm)
Fuse Receptacle Type	With Fuse Stop
Material Thickness / Type	0.020" (0.51mm) Brass
Standard Finish	100% Tin over Copper
Current Rating	15 Amperes
Mounting Hole Diameter	0.067" (1.70mm)



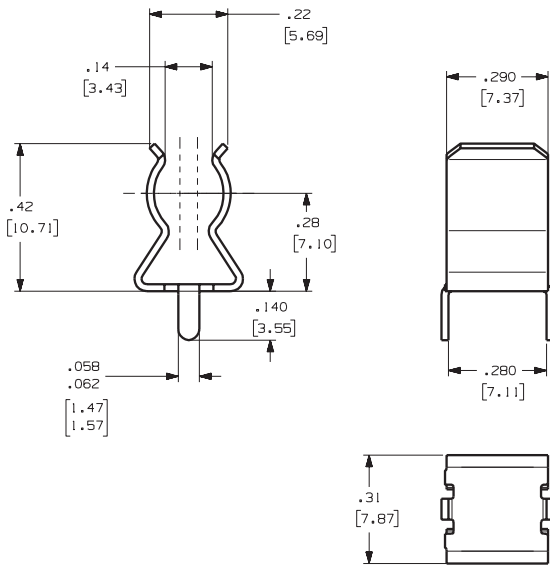
Part Number 1048

Loose Part No.	1048
Fuse Size	1/4" (6.35mm)
Fuse Receptacle Type	Without Fuse Stop
Material Thickness / Type	0.020" (0.51mm) Brass
Standard Finish	100% Tin over Copper
Current Rating	15 Amperes
Mounting Hole Diameter	0.067" (1.70mm)



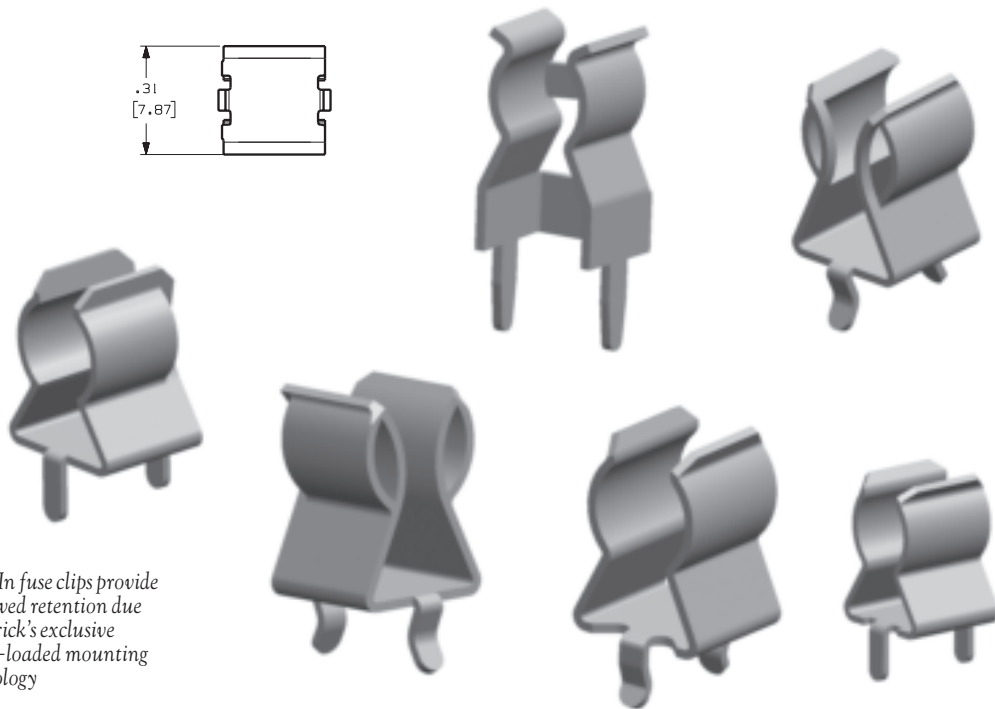
Part Number 926

Loose Part No.	926
Fuse Size	1/4" (6.35mm)
Fuse Receptacle Type	With Fuse Stop
Material Thickness / Type	0.020" (0.51mm) Brass
Standard Finish	100% Tin over Copper
Mounting Hole Diameter	0.067" (1.70mm)
Current Rating	15 Amperes



Part Number 927

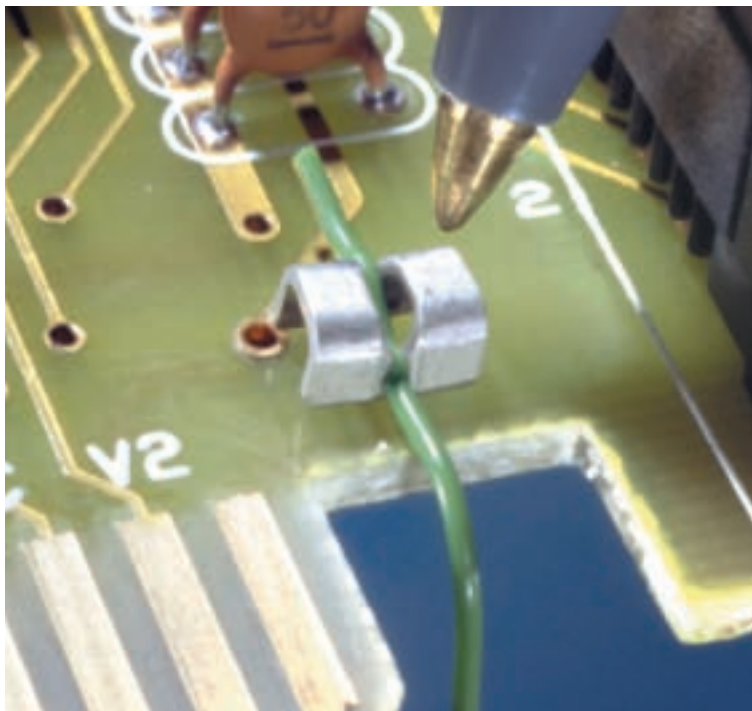
Loose Part No.	927
Fuse Size	1/4" (6.35mm)
Fuse Receptacle Type	Without Fuse Stop
Material Thickness / Type	0.020" (0.51mm) Brass
Standard Finish	100% Tin over Copper
Mounting Hole Diameter	0.067" (1.70mm)
Current Rating	15 Amperes



Snap-In fuse clips provide improved retention due to Zierick's exclusive spring-loaded mounting technology

Features and Benefits

- Zierick's **Torsion-Lok™** IDC allows connection and insulation shear in one motion, eliminating pre-stripping.
- These IDC's provide superior performance compared to rigid contact beam IDC styles.
- They can be a cost-effective wire connection alternative.
- The high-deflection contact beam design withstands repeated mating cycles and harsh conditions such as extreme shock and vibration.
- The **Torsion-Lok™** design provides a predictable, pre-loaded connection force.
- The torsion beams provide ample stored energy and are highly resistant to permanent deformation and stress relaxation.
- The gas-tight interconnection is maintained without wire creep and slip.



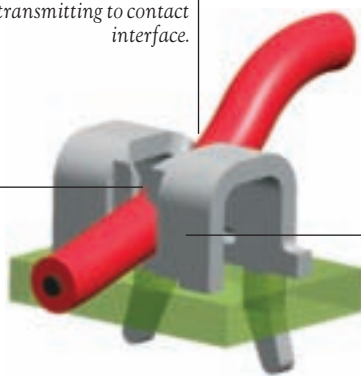
The **Torsion-Lok™** IDC received the PMA-Higgins Design Award based on its ability to deliver exceptional performance while saving costs. Designed for rigorous PCB and wire-end connection requirements, **Torsion-Lok™** IDC's out-perform traditional rigid contact beam IDC styles. Unlike a rigid IDC, the **Torsion-Lok™** permits a high degree of movement by the connection contacts. This

greater movement allows a contact beam deflection range that is many times greater than traditional IDC's. Connection is achieved by simply pushing the wire into the high deflection, zero-clearance connection slot for a reliable, gas-tight connection. This IDC is a cost-effective method of wire connection, providing exceptional flexibility and superior performance compared to traditional rigid contact beam IDC styles.

Built-in wire strain relief prevents wire motion from transmitting to contact interface.

Unlike rigid contact beam styles providing only one-time use, **Torsion-Lok™** beams allow ample movement for repeated mating.

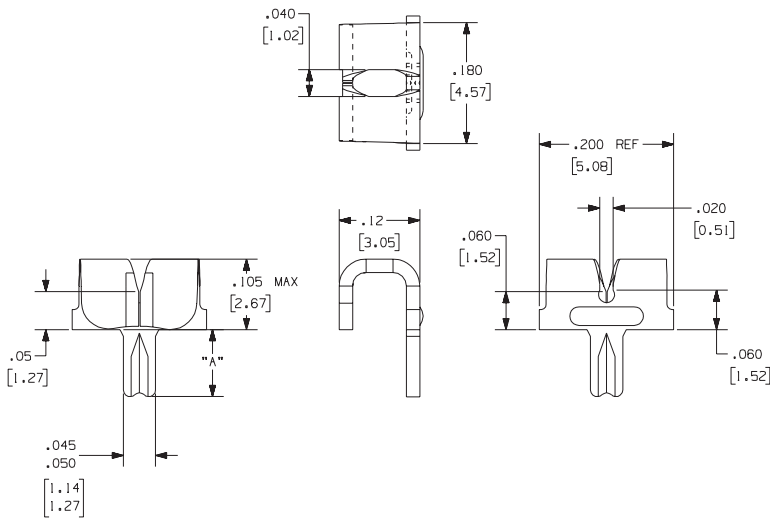
Insulation is cut with wire insertion, eliminating pre-stripping.



Continuous clamping provides a gas-tight interconnection.

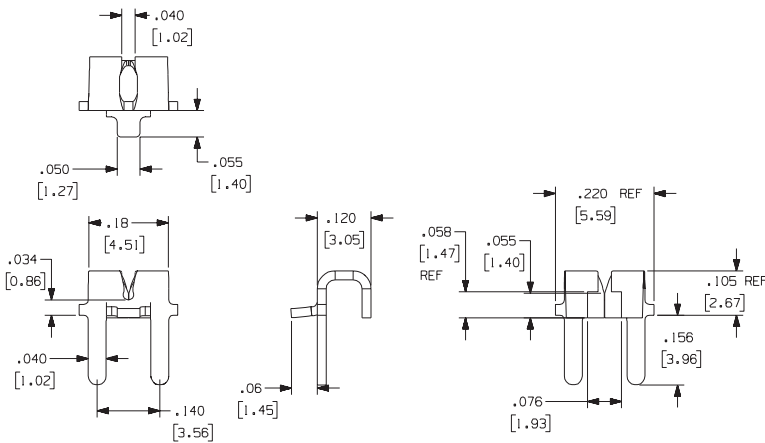
Zierick's family of **Torsion-Lok™** IDC's are available in loose and reeled formats for #30 through #14 AWG solid or stranded wire sizes. PCB and wire assembly can be done manually with Zierick hand tools and fixtures or automatically with Zierick semi- and fully-automated applicator systems.

Part Numbers 1182, 1183, 6183

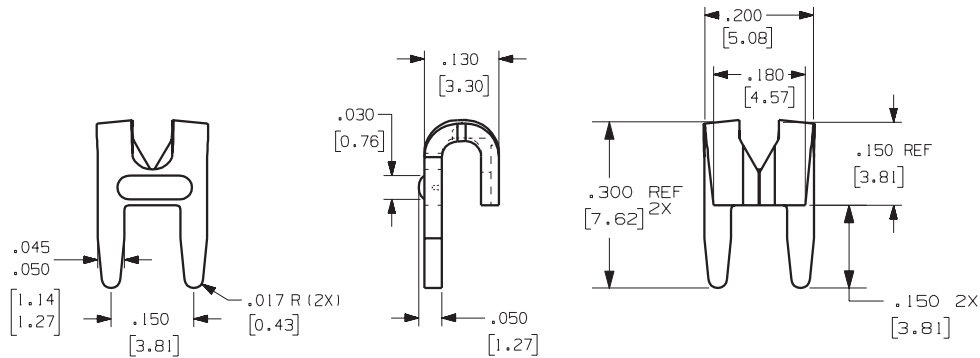


Loose Part No.	1182	1183
Reeled Part No.		6183
Mounting Type	Split Leg Splay for 0.031" (0.79mm) thick PCB	Split Leg Splay for 0.062" (1.57mm) thick PCB
Material Thickness / Type	0.020" (0.51mm) Brass	
Standard Finish	Loose: 100% Tin over Copper Reeled: 100% Tin over Copper	
Wire Gauge Range	#30-26 AWG	
Mounting Hole Diameter	Single Hole 0.055" ±0.003" (1.40mm ±0.076mm)	
Current Rating	10 Amperes	
"A" Dim	0.070" (1.78mm)	0.100" (2.54mm)
Applicator System	Loose: WTP-4ALL Reeled: Model 9700, 9700 XY Wire Termination: Consult factory.	

Part Number 6114



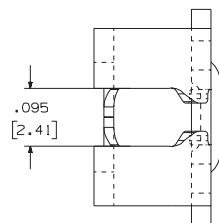
Loose Part No.	N/A
Reeled Part No.	6114
Mounting Type	Outward or Inward Splay Surface Mount Solder 0.062" (1.57mm) thick PCB
Material Thickness / Type	0.020" (0.51mm) Brass
Standard Finish	Loose: 100% Tin over Copper Reeled: 100% Tin over Copper
Wire Gauge Range	#30-26 AWG
Mounting Hole Diameter	2 holes 0.050" ±0.003" (1.27mm ±0.076mm) on 0.140" (3.56mm) centers
Current Rating	10 Amperes
Applicator System	Loose: ZPT-1114 Reeled: Model 9700, 9700 XY Wire Termination: Consult factory.



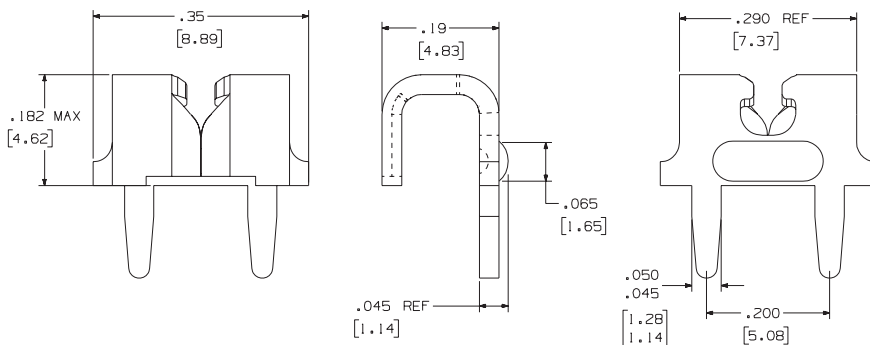
Part Numbers 1119, 6119

Loose Part No.	1119
Reeled Part No.	6119
Mounting Type	Outward or Inward Splay 0.062" (1.57mm) thick PCB
Material Thickness / Type	0.032" (0.81mm) Brass
Standard Finish	Loose: 100% Tin over Copper Reeled: 100% Tin over Copper
Wire Gauge Range	#24-18 AWG
Mounting Hole Diameter	2 holes 0.058" ±0.003" (1.47mm ±0.076) on 0.150" (3.81mm) centers
Current Rating	30 Amperes
Applicator System	Loose: WTP-4ALL Reeled: Model 9700, 9700 XY Wire Termination: Consult factory.

Part Number 1039

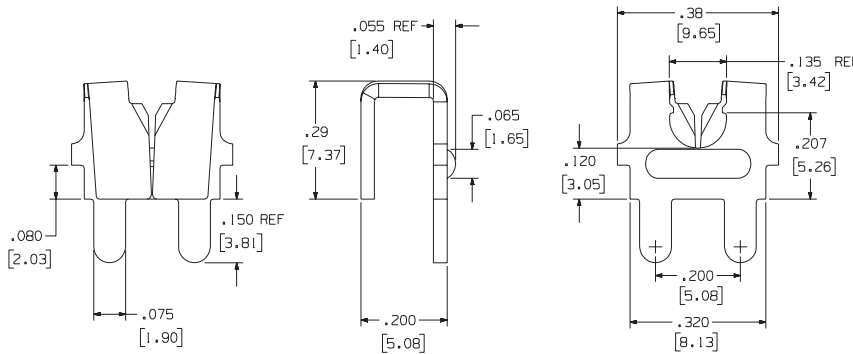


Loose Part No.	1039
Reeled Part No.	N/A
Mounting Type	Outward or Inward Splay 0.062" (1.57mm) thick PCB
Material Thickness / Type	0.032" (0.81mm) Brass
Standard Finish	Loose: 100% Tin over Copper Reeled: 100% Tin over Copper
Wire Gauge Range	#24-18 AWG
Mounting Hole Diameter	2 holes 0.058" ±0.003" (1.47mm ±0.076) on 0.200" (5.08mm) centers
Current Rating	20 Amperes
Applicator System	Loose: WTP-4ALL Reeled: Model 9700, 9700 XY Wire Termination: Consult factory.



Part Numbers 1174, 6174

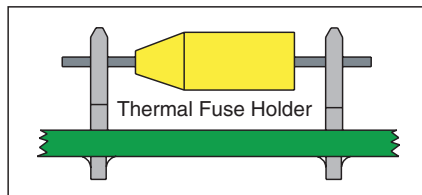
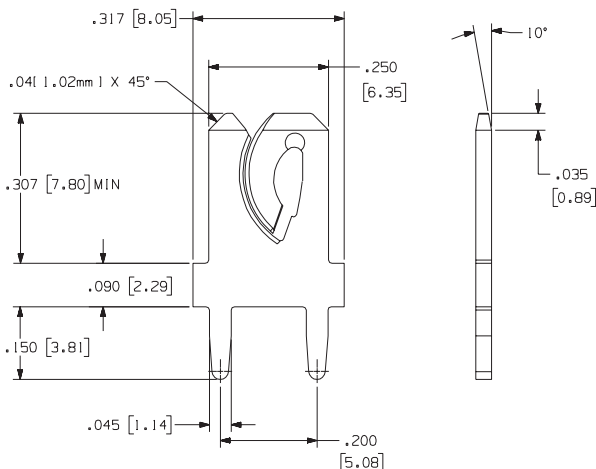
Loose Part No.	1174
Reeled Part No.	6174
Mounting Type	Outward or Inward Splay
Material Thickness / Type	0.032" (0.81mm) Brass
Standard Finish	Loose: 100% Tin over Copper Reeled: 100% Tin over Copper
Wire Gauge Range	#16-14 AWG
Mounting Hole Diameter	2 holes 0.080" ±0.003" (2.03mm ±0.076mm) on 0.200" (5.08mm) centers
Current Rating	20 Amperes
Applicator System	Loose: WTW-1174 Reeled: Model 9700, 9700 XY Wire Termination Tool: WTPPL-1174-1



IDC / Quick Disconnect Tab For #24-18 AWG Wire

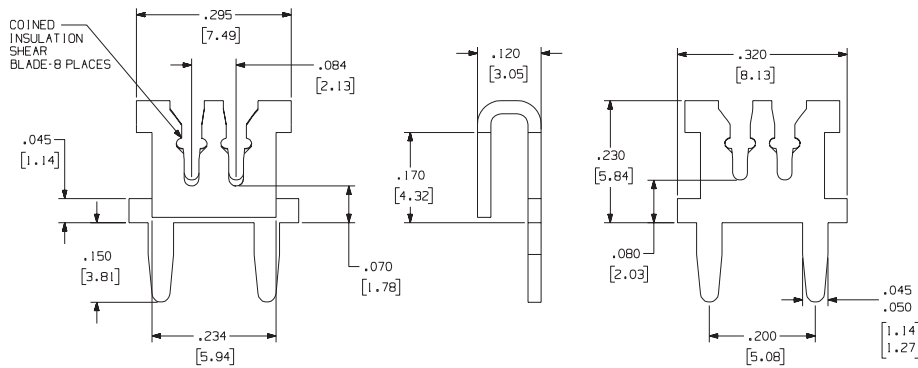
Part Numbers 1185, 6185

Loose Part No.	1185
Reeled Part No.	6185
Mounting Type	Outward or Inward Splay
Material Thickness / Type	0.032" (0.81mm) Brass
Standard Finish	Loose: 100% Tin over Copper Reeled: 100% Tin over Copper
Wire Gauge Range	#24-18 AWG
Mounting Hole Diameter	2 x .058" ±0.003" (1.47mm ±0.076) holes on 0.20" (5.08mm) centers
Current Rating	20 Amperes
Applicator System	Loose: WTP-4ALL Reeled: Model 9700, 9700 XY Wire Termination: Consult factory.



Part Number 6072

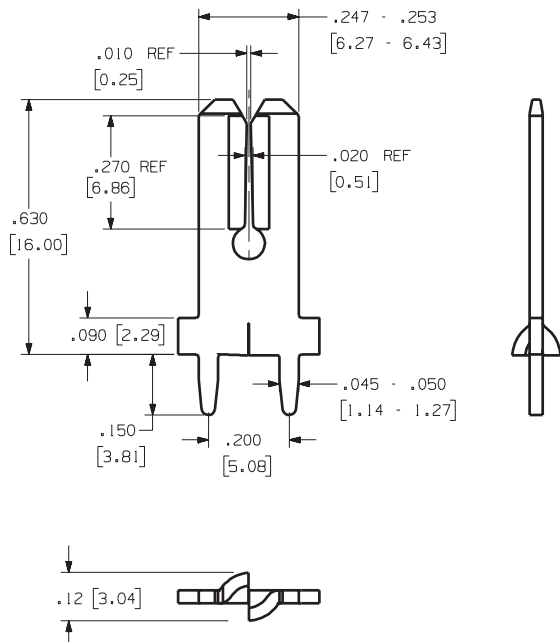
Loose Part No.	N/A
Reeled Part No.	6072
Mounting Type	Outward or Inward Splay
Material Thickness / Type	0.025" (0.64mm) Brass
Standard Finish	Loose: 100% Tin over Copper Reeled: 100% Tin over Copper
Wire Gauge Range	#19-18 AWG Magnet Wire
Mounting Hole Diameter	2 holes 0.058" ±0.003" (1.47mm ±0.076mm) on 0.200" (5.08mm) centers
Current Rating	15 Amperes
Applicator System	Reeled: Model 9700, 9700 XY Wire Termination: Consult factory.



0.025" (6.35mm) Tab / IDC

Part Number 6205

Loose Part No.	N/A
Reeled Part No.	6205
Mounting Type	Outward or Inward Splay
Material Thickness / Type	0.032" (0.81mm) Brass
Standard Finish	100% Tin over Copper
Wire Gauge Range	#19-18 AWG Magnet Wire
Mounting Hole Diameter	0.058" ±0.003" (1.47mm ±0.076mm)
Current Rating	20 Amperes
Applicator System	Model 9700, 9700 XY



**Manual and Semi-Automatic
IDC Wire Insertion Tools**

Zierick offers a variety of wire insertion tools for wire-to-IDC connections. These include wire insertion hand tools for limited volume applications, and pneumatic hand tools for faster and easier connections for higher volumes.

The "XXXX" in the names of the Tools stands for the part numbers they are inserting.



WTCP-XXXX



WTW-XXXX



WTPPS-XXXX

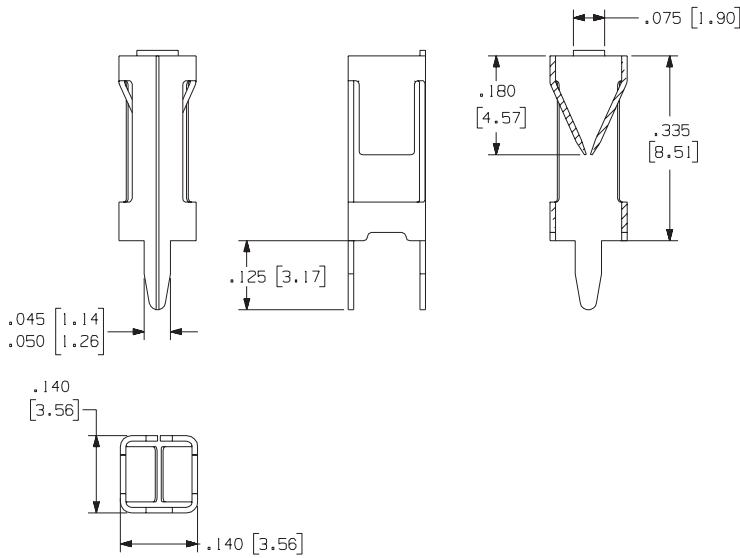


WTP-4ALL



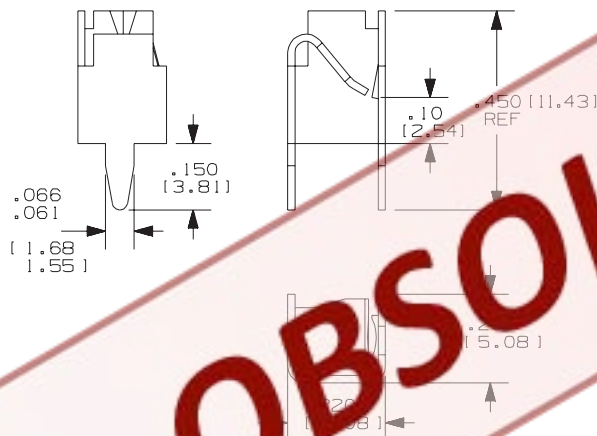
WTPPL-XXXX

Part Numbers 1187, 6187



Loose Part No.	1187
Reeled Part No.	6187
Mating Wire Size	#20-#14 AWG
Mounting Type	Outward Splay
Material Thickness / Type	0.010" (0.25mm) Phosphor Bronze
Standard Finish	Loose: 100% Tin over Copper Reeled: 100% Tin over Copper
Mating Type	Vertical
Mating Entry	Top
Mounting Hole Diameter	2 holes 0.050" ±0.003" (3.81mm ±0.076mm) on 0.130" ±0.003" (3.302mm ±0.076mm) centers
Current Rating	10 Amperes
Resistance Rating	10mOhm Max
Temperature Rating	-65° to 105°C
Insertion Force-Max.	Application Dependent / Submit Mating Terminal Sample to Factory
Withdrawal Force-Max.	Application Dependent / Submit Mating Terminal Sample to Factory
Applicator System	Loose: Consult factory Reeled: Model 9700, 9700 XY

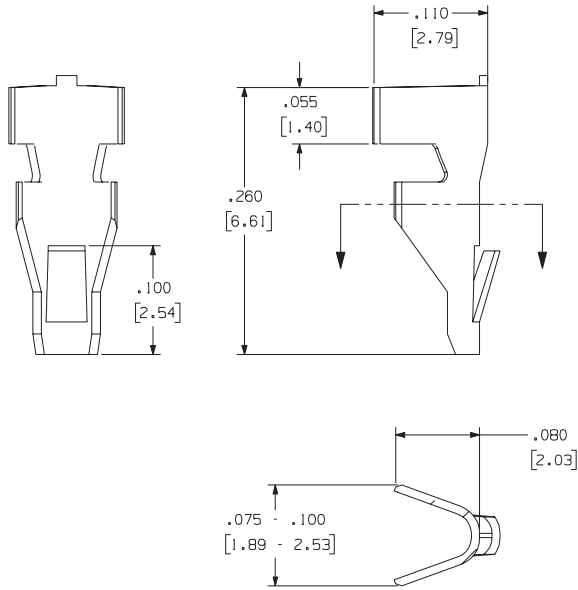
Part Numbers 1176, 6176



Loose Part No.	1176
Reeled Part No.	6176
Mating Wire Size	#14-#10 AWG
Mounting Type	Outward Splay
Material Thickness / Type	0.016" (0.41mm) C26000 Brass
Standard Finish	Loose: 100% Tin over Copper Reeled: 100% Tin over Copper
Mating Type	Vertical
Mating Entry	Top
Mounting Hole Diameter	2 holes 0.072" ±0.003" (1.83mm ±0.076mm) on 0.200" ±0.003" (5.08mm ±0.076mm) centers
Current Rating	10 Amperes
Resistance Rating	10mOhm Max
Temperature Rating	-65° to 75°C
Insertion Force-Max.	Application Dependent / Submit Mating Terminal Sample to Factory
Withdrawal Force-Max.	Application Dependent / Submit Mating Terminal Sample to Factory
Applicator System	Loose: Consult factory Reeled: Model 9700, 9700 XY

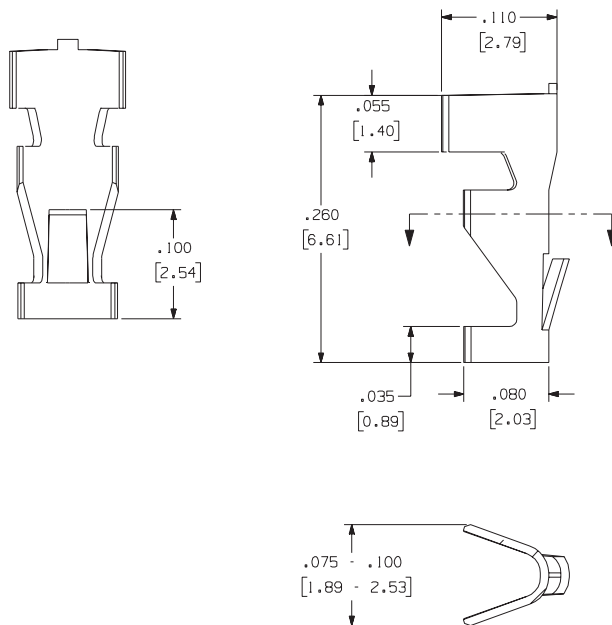
OBSOLETE

Part Number 5044



Loose Part No.	5044
Material Thickness / Type	.020 C26000 Brass
Finish Code	Pre-Finished 100% Hot Tin Dip (consult factory for thickness). Material edges will be bare.
Wire Range	22-18 AWG
Mounting Hole Diameter	0.073" (1.85mm)
Applicator System	Model 4000

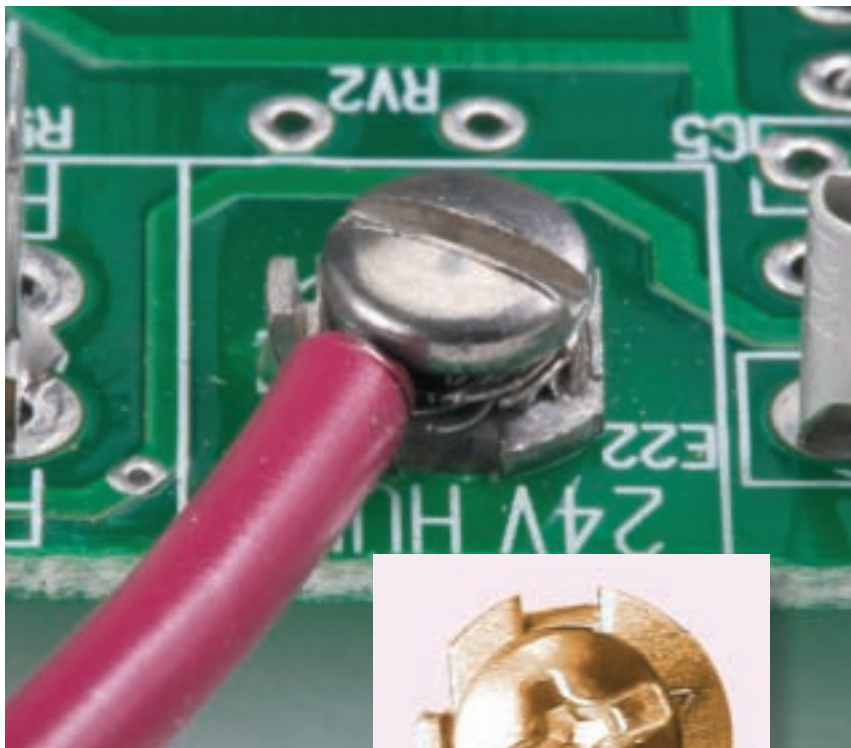
Part Number 5088



Loose Part No.	5088
Material Thickness / Type	.020 C26000 Brass
Finish Code	Pre-Finished 100% Hot Tin Dip (consult factory for thickness). Material edges will be bare.
Wire Range	22-18 AWG
Mounting Hole Diameter	0.073" (1.85mm)
Applicator System	Model 4000

Features and Benefits

- Zierick screw terminals allow reliable attachment of discrete lead wires to printed circuit boards.
- They are an alternative to expensive PCB mountable terminal strips and barrier blocks.
- Our screw terminals provide a solid gas-tight connection with improved vibration resistance and minimal long-term stress relaxation.
- They are available in seven basic configurations, and are acceptable for most common wire gauges.
- Available with or without screws, they can be staked or unstaked, turned-down or backed-out.
- They may be ordered in a variety of thread and screw sizes, in addition to our Combination Head Screw.
- They are assembled with solder-resistant 100% stainless steel screws or custom screws if required.
- They are plated with tin overplate and copper underplate for improved solderability.
- Zierick's new Combination Head Screw allows the use of either slot or Phillips head screwdrivers. It is currently available for PN 934 ST.SC. Consult the factory for information on availability of this product.

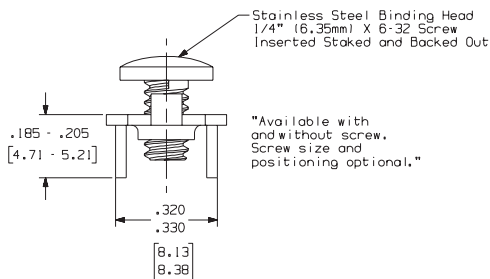
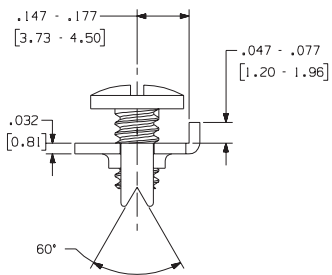
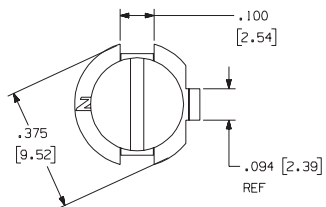


Combination Head Screw
Part Number 934 ST.SC

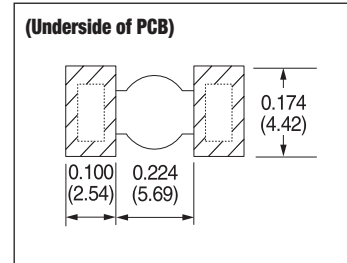
Part Numbers 731, 934 ST.S, 934 ST.SC

Loose Part No.	731	934 ST.S	934 ST.SC
Material Thickness / Type	0.032" (0.81mm) Brass		
Standard Finish	100% Tin over Copper		
Screw Type	No Screw	Stainless Steel Binding Head 1/4" (6.35) x 6-32	
Screw Position	No Screw	Inserted, Staked & Backed out	
Current Rating	30 Amperes		

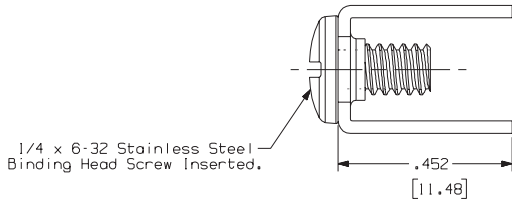
ST.S stands for Stainless Steel Screw. ST.SC stands for Stainless Steel Screw with a Combination Head which can be turned with either a slot head or Phillips screwdriver.



Recommended Pad Geometry

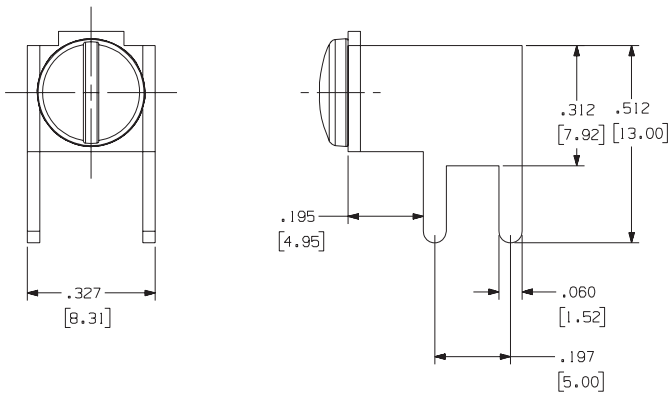
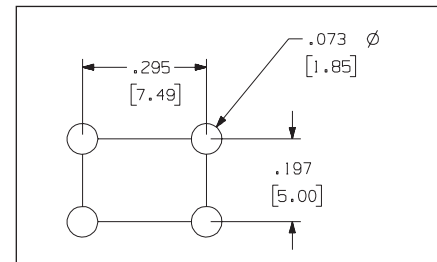


**Part Numbers 1117 ST.S,
1117, 1116 ST.S, 1202**



Loose Part No.	1117 ST.S	1117	1116 ST.S	1202
Material Thickness / Type	0.032" (0.81mm) C26000 Brass			
Standard Finish	Pre-Tinned Brass			
Screw Type	Stainless Steel Binding Head 1/4" (6.35mm) x 6-32	No Screw	Stainless Steel Binding Head 1/4" (6.35mm) x 6-32	Stainless Steel Binding Head 1/4" (6.35mm) x 6-32
Screw Position	Inserted & Down	N/A	Inserted & Down	Inserted, Staked & Backed Out
Wire Stop	No		Yes	
Current Rating	30 Amperes			

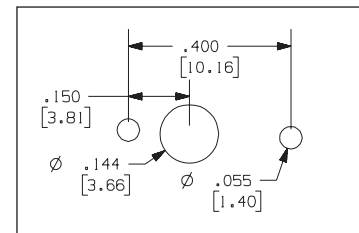
Typical PCB Mounting Hole Configuration



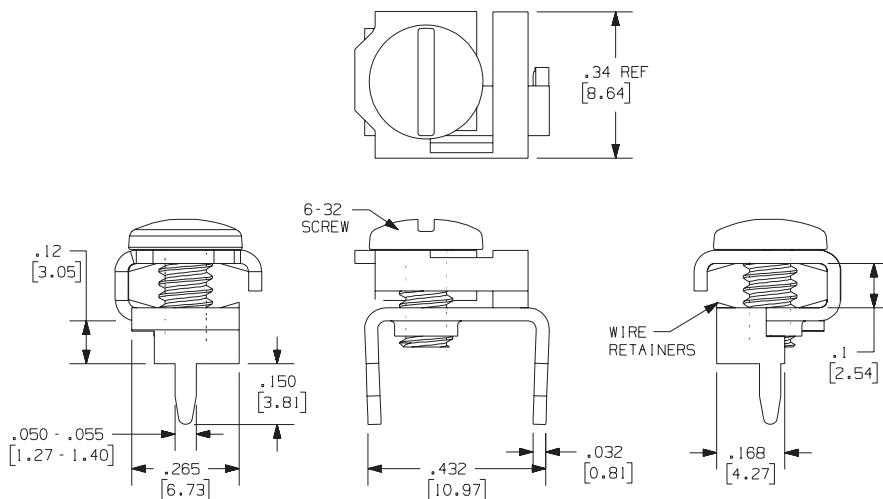
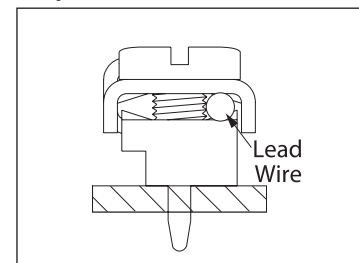
Part Number 1030

Loose Part No.	1030
Material Thickness / Type	0.032" (0.81mm) Brass
Screw Type	Stainless Steel Binding Head 5/16" (7.92mm) x 6-32
Screw Position	Down until just touching surface of part
Standard Finish	100% Tin over Copper
Current Rating	30 Amperes

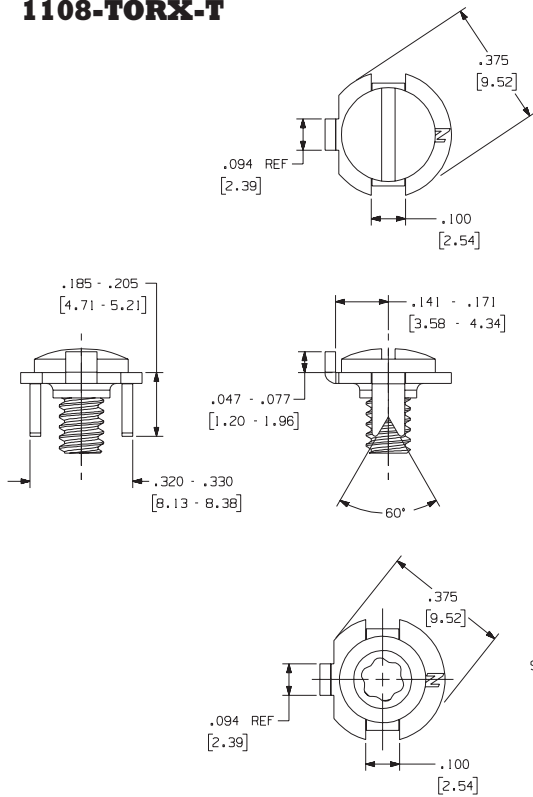
Typical PCB Mounting Hole Configuration



Clamp Down Condition



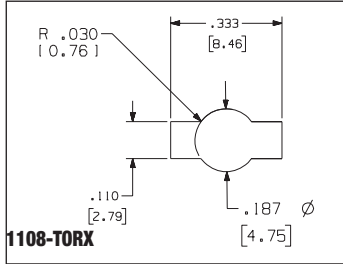
**Part Numbers 1108,
1108-GRSC, 1108-TORX,
1108-TORX-T**



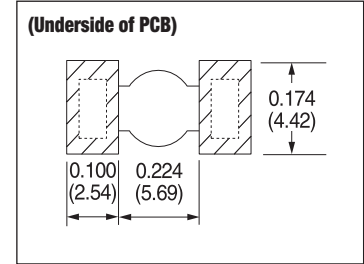
Loose Part No.	1108	1108-GRSC	1108-TORX	1108-TORX-T
Material Thickness / Type	0.032" (0.81mm) Brass			
Standard Finish	Matte Tin			
Screw Type	Stainless Steel Binding Head 1/4" (6.35mm) X 6-32	1/4" (6.35mm) x 6-32 Torx Head Screw		
Screw Position	Inserted, Staked and Down			
Current Rating	30 Amperes			

GRSC is a green screw which indicates it is a grounding screw, and TORX is a screw which requires a Torx screwdriver to be turned.

Typical PCB Mounting Configuration



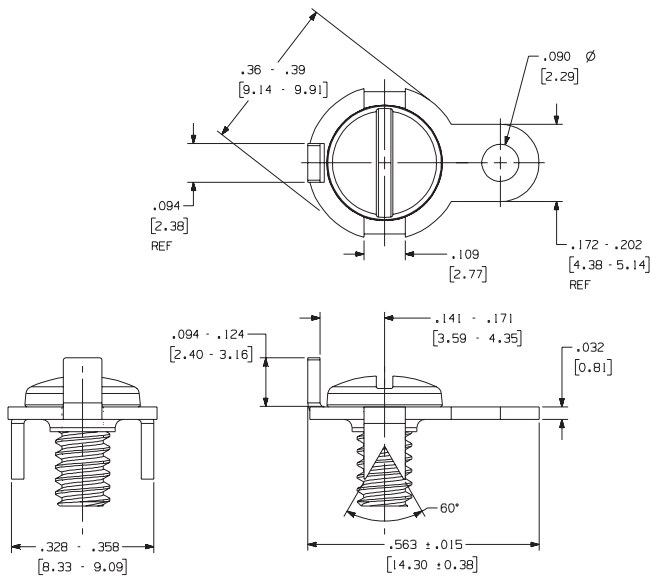
Recommended Pad Geometry



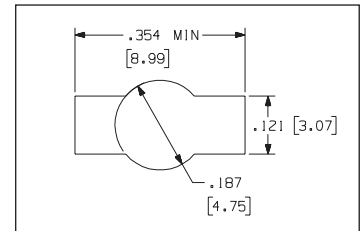
*Available with and without screw.
Screw size and positioning optional.*

Part Numbers 792, 348

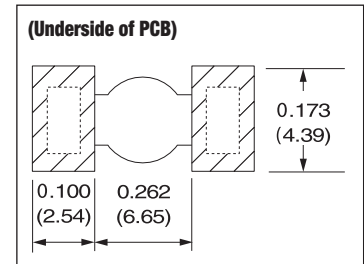
Loose Part No.	792	348
Material Thickness Type	0.032" (0.81mm) Brass	
Standard Finish	100% Tin over Copper	
Screw Type	No Screw	Tin Plated Brass Binding Head 5/16" (7.94mm) x 6-32
Screw Position	No Screw	Down, No Stake
Current Rating	30 Amperes	



Typical Mounting Configuration

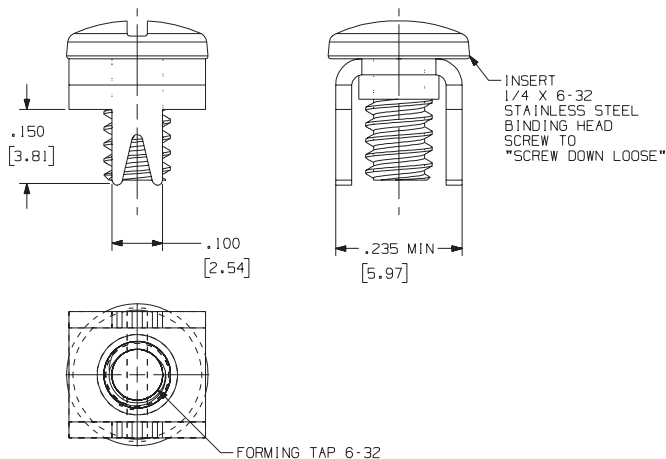


Recommended Pad Geometry

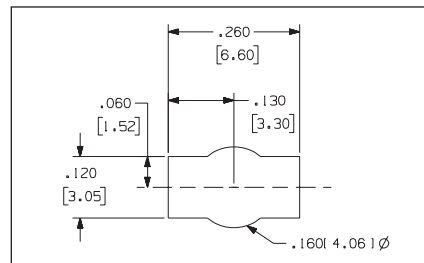


Part Number 1158 ST.S

Loose Part No.	1158 ST.S
Material Thickness Type	0.032" (0.81mm) Brass
Standard Finish	100% Tin over Copper
Screw Type	Stainless Steel Binding Head 0.250" (6.35mm) x 6-32
Screw Position	Down, No Stake
Current Rating	30 Amperes

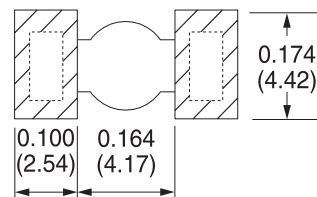


Typical PCB Mounting Detail



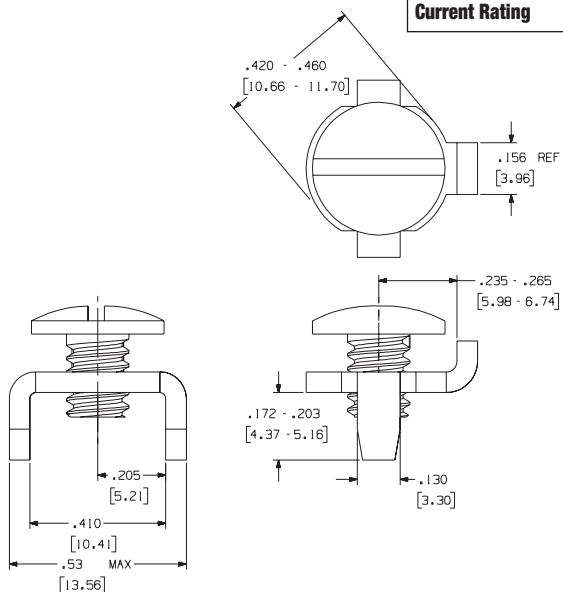
Recommended Pad Geometry

(Underside of PCB)

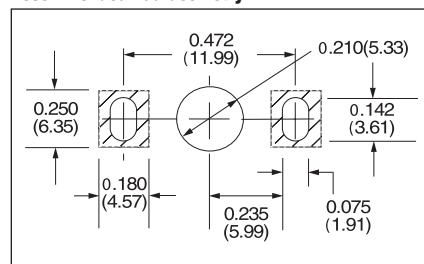


Part Numbers 928, 928-No Screw, 928-No Stake

Loose Part No.	928	928-No Screw	928-No Stake
Material Thickness / Type	0.062" (1.57mm) Brass		
Standard Finish	100% Tin over Copper		
Screw Type	Stainless Steel Binding Head 1/4" (6.35mm) x 10-32	No Screw	Stainless Steel Binding Head 1/4" (6.35mm) x 10-32
Screw Position	Inserted, Staked and Backed-Out	No Screw	Inserted and Down
Current Rating	30 Amperes		

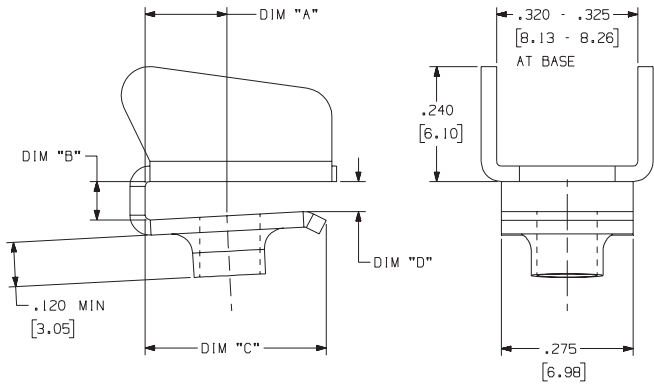


Typical PCB Mounting Configuration and Recommended Pad Geometry

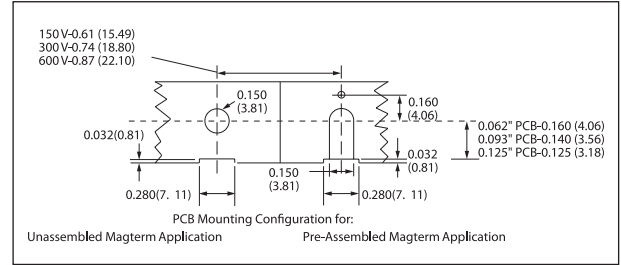


Part Numbers M6111, M6112

Loose Part No.	M6111	M6112
Material Thickness / Type	0.032" (0.81mm) Brass	
Standard Finish	100% Matte Tin	
Screw Specifications	No Screw	
Current Rating	30 Amperes	
Dim 'A'	0.160" (4.06mm)	0.145" (3.68mm)
Dim 'B'	0.070"/0.075" (1.78mm/1.91mm)	0.102"/0.107" (2.59mm/2.72mm)
Dim 'C'	0.380" (9.65mm)	0.365" (9.27mm)
Dim 'D'	0.048"/0.058" (1.22mm/1.47mm)	0.081"/0.091" (2.06mm/2.31mm)

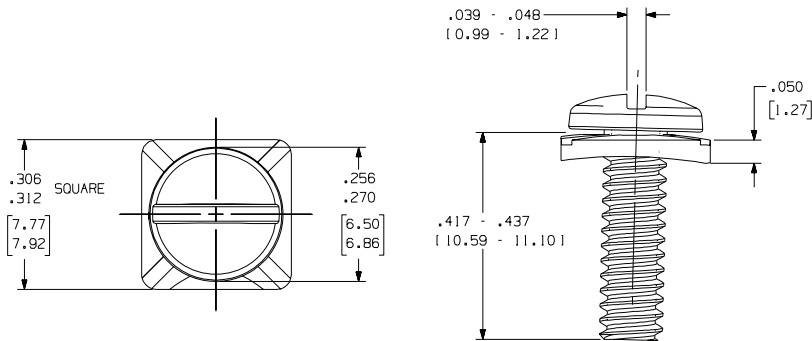


Typical PCB Mounting Configuration



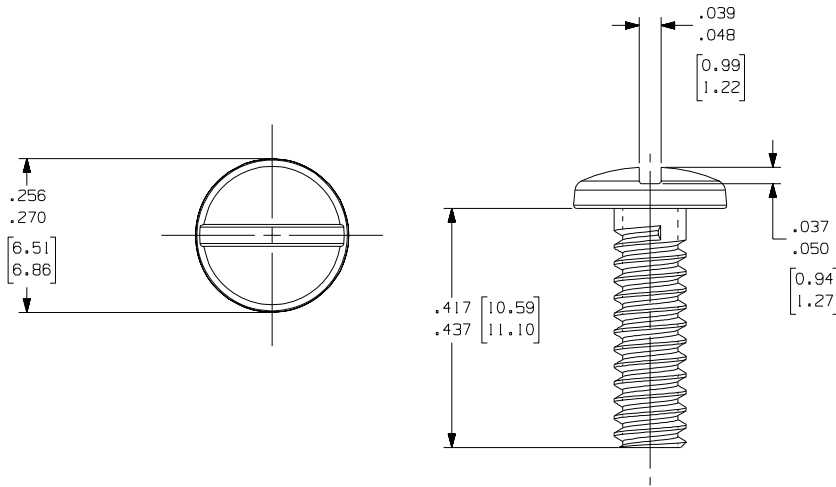
Part Number 7/16 SEMS SCREW

Loose Part No.	7/16 SEMS SCREW
Material Type	Steel
Standard Finish	Zinc
Current Rating	30 Amperes



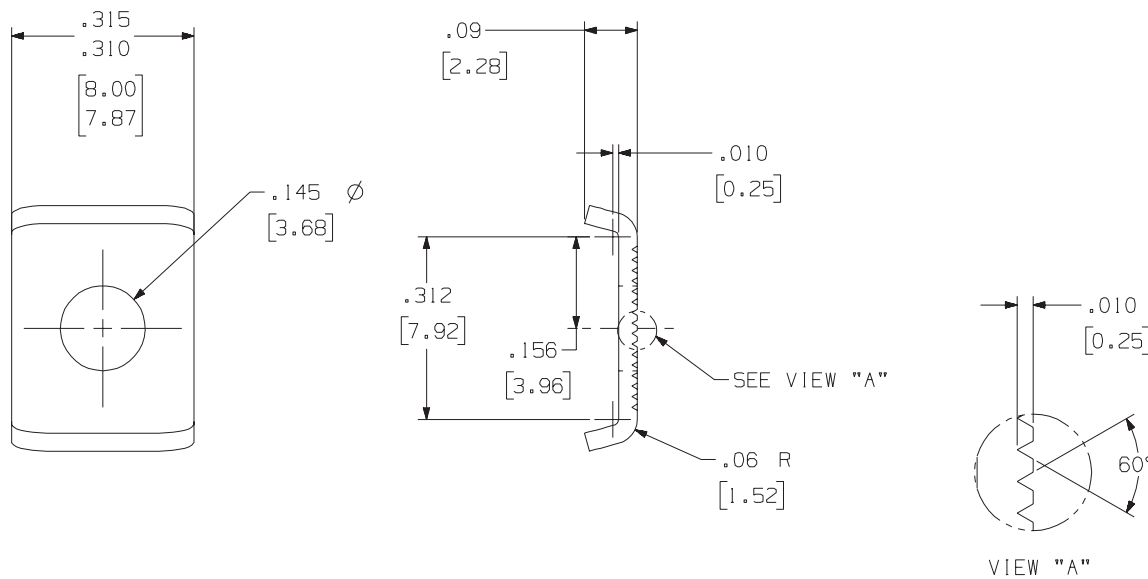
Part Number
7/16 632 BET SCREW

Loose Part No.	7/16 632 BET SCREW
Material Type	Brass
Standard Finish	100% Matte Tin
Current Rating	30 Amperes



Part Number CPB 9030

Loose Part No.	CPB 9030
Material Type	Brass
Standard Finish	100% Matte Tin
Current Rating	30 Amperes



Features and Benefits

- **Accu-Post™** terminals feature a unique mounting design that improves PCB quality and reduces instances of solder joint fractures, and loose or misaligned posts.
- This **Accu-Lok™** mounting assures superior retentive strength, perpendicularity and solder joint integrity.
- Retention is accomplished by a controlled splitting and forming of the terminal leg.
- **Accu-Lok™** mounting permits the use of mounting holes with a diameter tolerance of $\pm 0.003''$ ($\pm 0.076\text{mm}$).
- Forces due to mating, withdrawal, vibration, shock, or temperature cycles are not transferred to the PCB solder joint.
- Since the unique design of **Accu-Lok™** is not a press fit, hole damage and deformity do not occur.

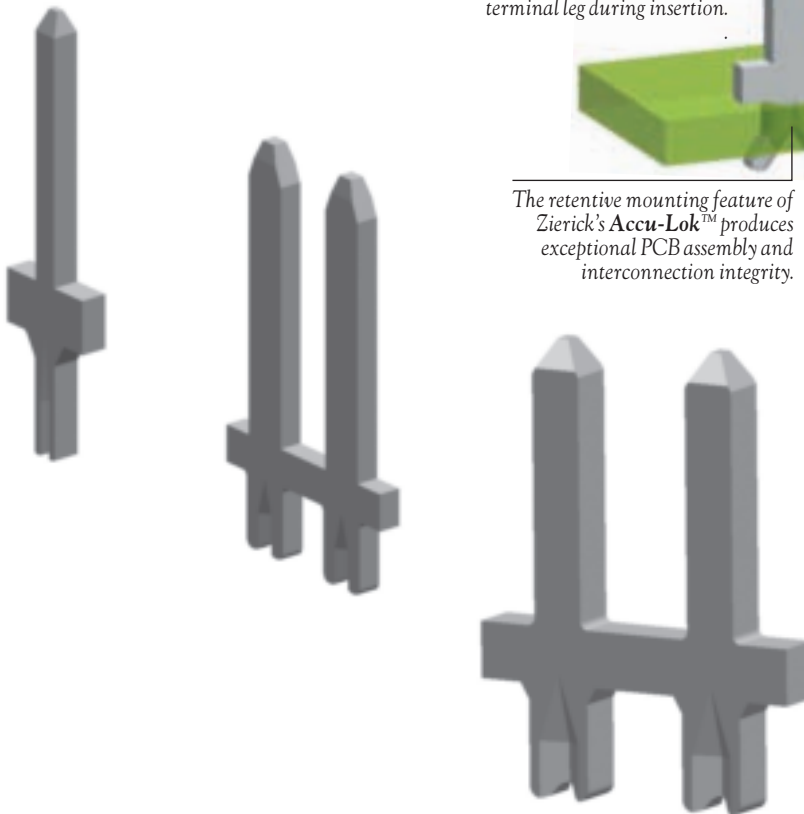


PCB retention of **Accu-Lok™** is accomplished by a controlled splitting and forming of the terminal leg during insertion.

The solder joint is protected from stresses due to mating, withdrawal, or shock.

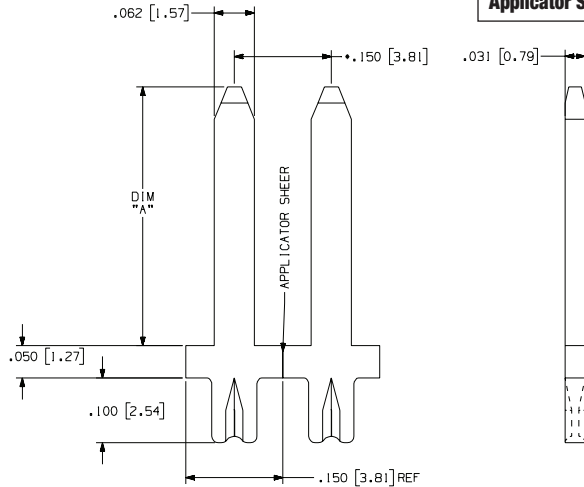
The retentive mounting feature of Zierick's **Accu-Lok™** produces exceptional PCB assembly and interconnection integrity.

Since the unique design of **Accu-Lok™** is not a press fit, hole damage and deformity do not occur.

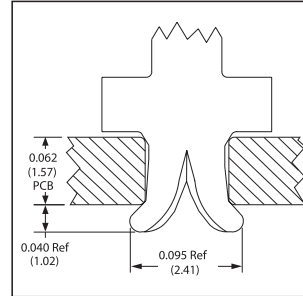


Part Number 6073-xxx

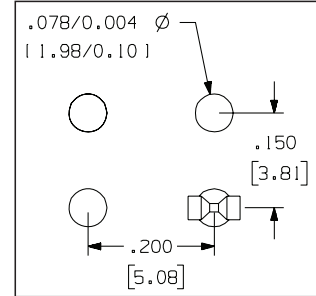
Loose Part No.	6073-300	6073-400	6073-490	6073-615	6073-xxx-xxx
Dimension 'A'	0.350" (8.89mm)	0.400" (10.16mm)	0.490" (12.45mm)	0.615" (15.62mm)	Customer Req.
Mounting Type	Split Leg Splay				
Material Thickness / Type	0.032" (0.81mm) Brass				
Standard Finish	100% Tin over Copper				
Mounting Hole Diameter	0.078" (1.98mm)				
Current Rating	10 Amperes				
Applicator System	Model 9700, 9700 XY				



Typical Accu-Lok™ Mounting



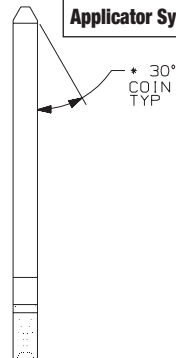
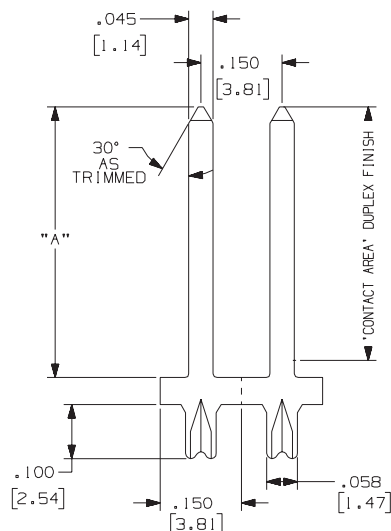
Typical PCB Grid Geometry



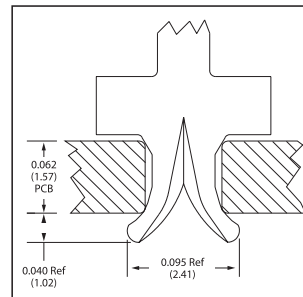
0.045" (1.14mm) Square

Part Number 6075-xxx

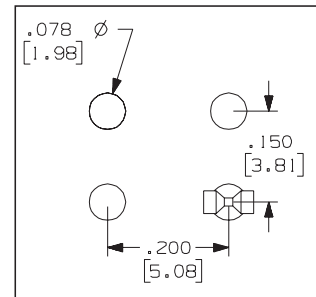
Loose Part No.	6075-250	6075-312	6075-450	6075-500	6075-575	6075-650	6075-750	6075-930
Dimension 'A'	0.250" (6.35 mm)	0.312" (7.92 mm)	0.450" (11.43 mm)	0.500" (12.70 mm)	0.575" (14.61 mm)	0.650" (16.51 mm)	0.750" (19.05 mm)	0.930" (23.62 mm)
Mounting Type	Split Leg Splay							
Material Thickness / Type	0.045" (1.14mm) Brass							
Standard Finish	100% Tin over Copper							
Mounting Hole Diameter	0.072" (1.83mm)							
Current Rating	10 Amperes							
Applicator System	Model 9700, 9700 XY							



Typical Accu-Lok™ Mounting

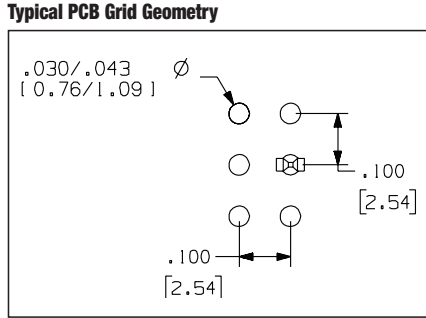
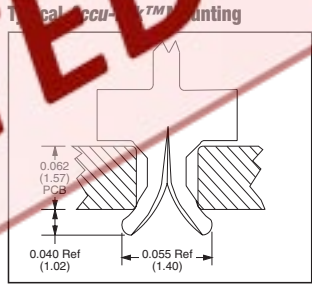
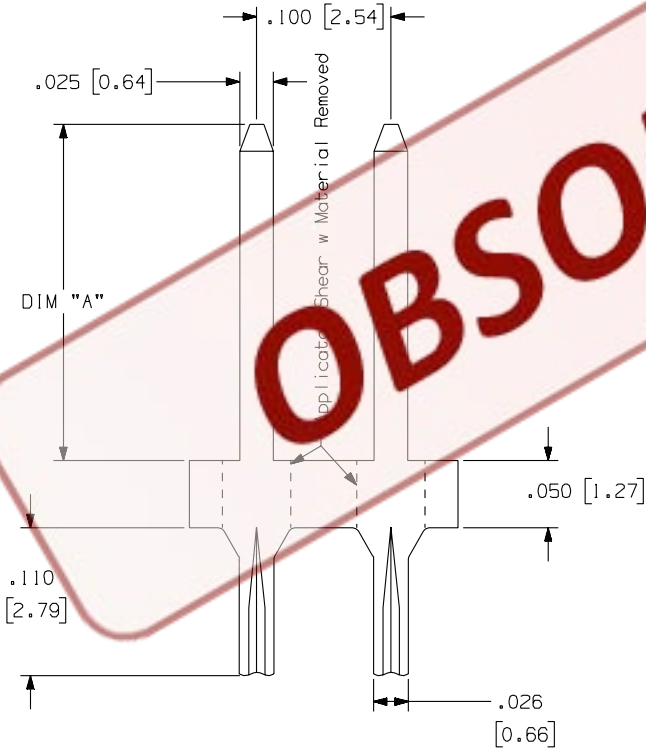


Typical PCB Grid Geometry

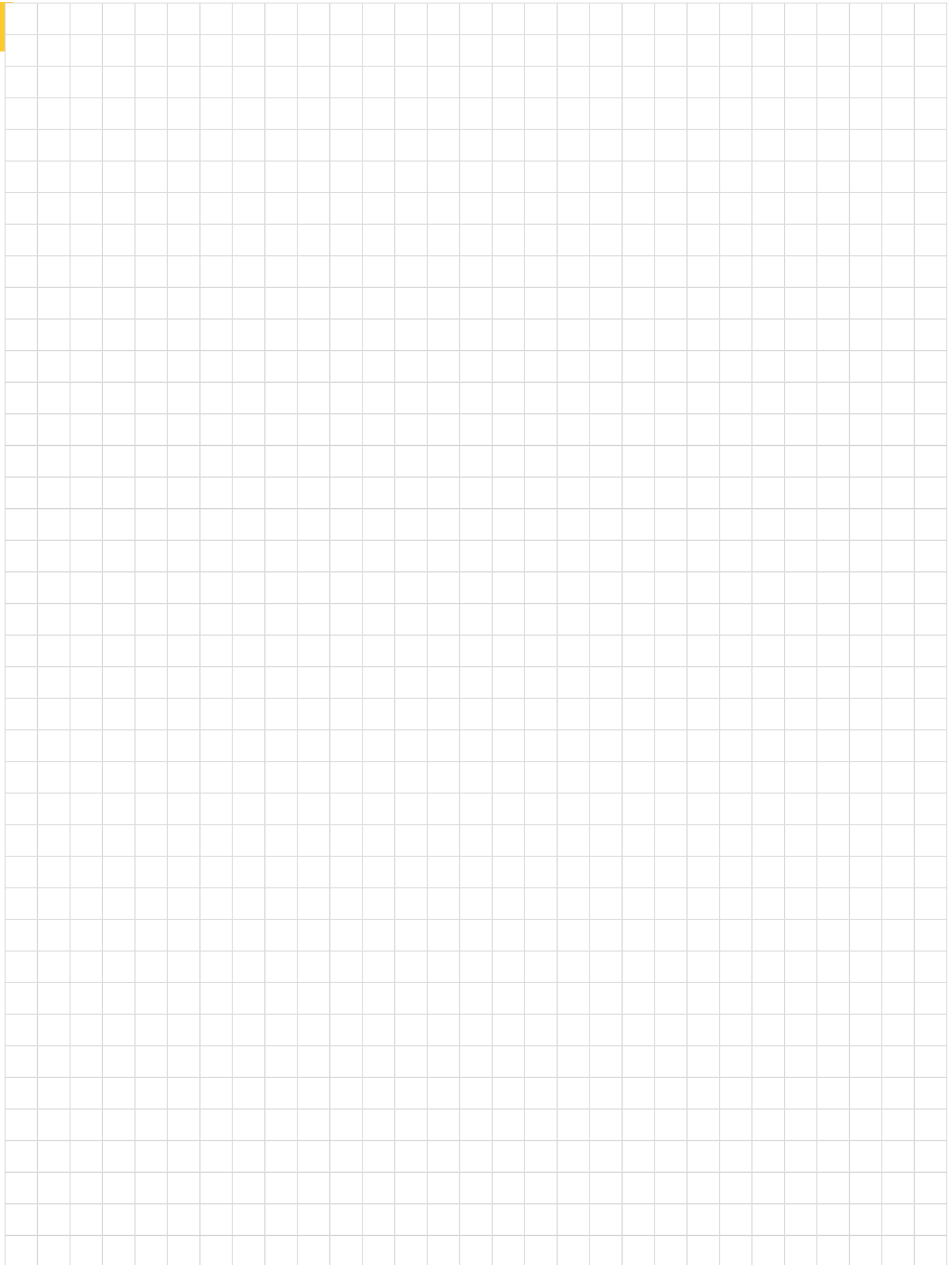


Part Number 6143-xxx

Loose Part No.	6143-250	6143-xxx
Dimension 'A'	0.250"	Customer Reqmt.
Mounting Type	Split Leg Splay	
Material Thickness / Type	0.025" (0.64mm) C26000 Brass	
Standard Finish	100% Tin over Copper	
Mounting Hole Diameter	0.030"/0.043" (0.76mm/1.09mm)	
Current Rating	8 Amperes	



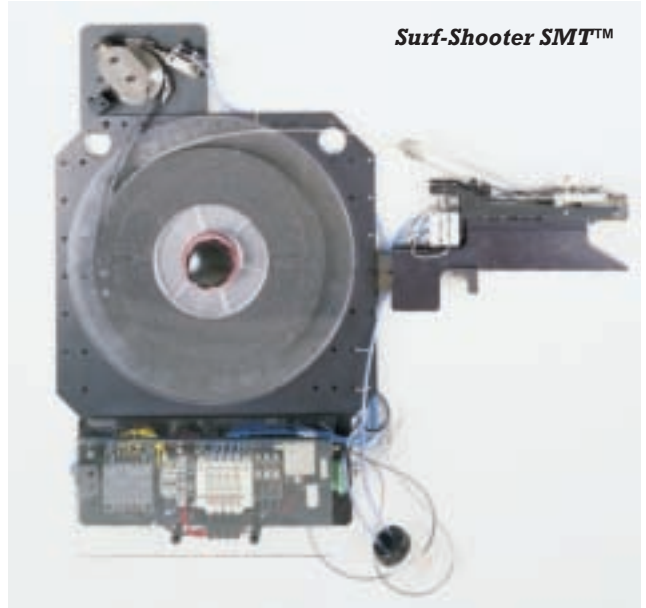
OBSOLETE





Zierick's family of full and semi-automated through-hole terminal insertion systems simplifies applications, and provides the greatest range of functionality and flexibility for insertion needs.

Our complete line of THT insertion systems includes the Model 9700 XY and Model 9700 and hand tools.



Zierick's *Surf-Shooter SMT™* Feeder for Continuous Strip terminals and our SMT Loose Piece Pin feeder are designed to work with our customers' placement systems, and eliminate the need for costly taping.



Semi-Automated and Manual Wire Crimping Equipment for SMT Insulation Piercing Connectors



Basic Features

- Fully Automatic
- 12" x 12" PC board capacity
- High speed servo driver platform
- Machine cycle rate capable of over 5,000 pph
- Easy operator programmability
- Standard Model 9700 tooling compatibility
- Dedicated or adjustable board fixturing options
- Touch-screen interface
- Ergonomic safety cover package
- Compact table top design
- Optional CE compliance
- BEC Capabilities
- Microprocessor controlled
- Efficient insertion for a range of applications
- Sturdy construction for long life
- Accurate, repeatable results
- Quick change tooling

Air Requirements

- 90-120 PSI (6.2- 8.3 bar)
- 10 CFM (4.2 L/S)

Power Requirements

- 120 VAC, 60Hz, 10 AMPS
- Optional 240V, 50 Hz, 5 AMP

Dimensions

- Length 48" (1219 mm)
- Depth 45" (1143 mm)
- Height 38" (965 mm)
- Weight 275 lbs. (125 Kgs.)



Designed for maximum reliability, the Zierick Model 9700 XY Positioning Terminal Insertion System is an ideal work cell for production lines, and provides solutions for the fluctuating demands of contract manufacturers. Its modular tooling reduces downtime between terminal changeovers to keep things moving on your shop floor.

The 9700 XY incorporates a modified 9700 terminal insertion machine with a dual axis positioning system to achieve high speed, repeatable insertions through a set of programmed coordinates. User interface is through a series of menus presented to the operator via touch-screen controls.

Programming can be done manually though a simple jog and teach process, or specific data points can be downloaded directly to the PLC with an optional data connection kit. The unit is capable of storing 50 programs with 150 position points each, all of which can be



This is an image of a PCB inside the work board holder of the XY. Zierick's Model 9700 XY Terminal Insertion System is fully automatic, with a machine cycle rate of over 5,000 pph.

modified, deleted, or added to at any time.

The system is a self-contained positioning and insertion unit, which is designed to fit on a standard bench top and require minimal user intervention. Once programmed and aligned for a specific board pattern, the system will provide fast, repeatable insertions without the need for adjustment or calibration.



The Model 9700 delivers fast performance, with production rates up to 5,000 pph, and inserts Zierick's full range of continuous strip PCB terminals and connectors.

Flexibility makes the Model 9700 ideal for production lines and manufacturers. Its sleek, compact appearance is combined with a rugged yet lightweight construction, providing dependable performance in a small bench-top footprint.

This model is designed for easy operator use. Set-up, alignment, and terminal changeover are accomplished by a number of key equipment features. These features include interchangeable applicator tooling, calibration tools for head-to-anvil alignment, fewer moving parts, and accurately machined mating surfaces.

Basic Features

- Interchangeable tooling
- Self-locating anvil/lower tooling
- Cycle rate up to 5,000 pph
- Modular head, anvil, & feed
- Microprocessor controlled
- Automatic activation system
- Front panel machine status lights
- Optional CE compliance

Air Requirements

- 80-90 PSI (6.2-8.3 bar)
- 8 CFM (3.8 L/S)

Power Requirements

- 120 VAC, 60Hz, 2 AMPS
- Optional 240V, 50 Hz, 1AMP

Dimensions

- Length 33.5" (851mm)
- Depth 5" (381mm)
- Width 12" (305mm)
- Weight 118lbs. (53.5Kgs)
- Throat Depth 15" (361mm)

Features and Benefits:

- Simple and reliable method for inserting press-fit and splay mounted terminals.
- Single tool can handle multiple terminal insertion applications.
- Tools can be installed on almost any type of manual or pneumatic press.

Ideal for low volume, short run, and prototype PCB assembly applications, Zierick's hand tools offer a simple and reliable method for inserting press fit and splay mounted terminals.

The hand tool can be easily installed on any type of press machine for increased flexibility and faster insertion. With the



addition of a lower tool die, terminals can then be splayed and locked into place to improve reliability and prevent part removal and rotation.

Zierick hand tools are available for PCB-mounted quick-disconnect terminals, quick-disconnect receptacles, post receptacles, test points and IDC terminals.

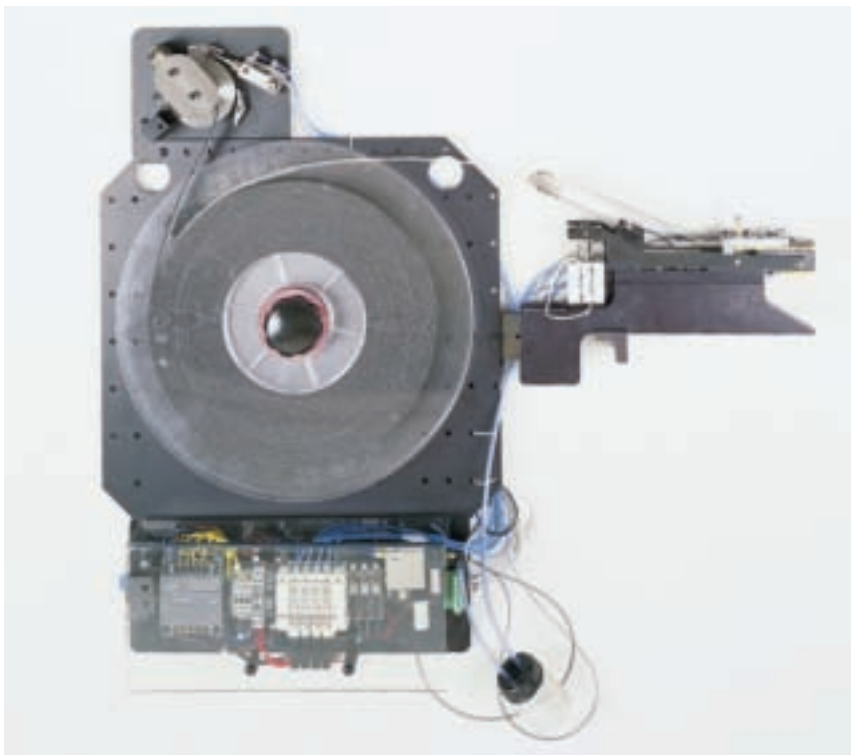
Zierick Terminals (part numbers) that can be inserted with the Terminal Insertion Hand Tool

Terminal Dimensions	Male - Tab		Female - Receptacle		Insertion Tool
	Standard	Stable-Lok®	Standard	Stable-Lok®	
0.110" x 0.020"	834	1063	-	-	ZPT81-A
0.110" x 0.032"	835	1064	-	-	ZPT81-A
0.187" x 0.020"	895	1027	-	-	ZPT81-A
0.187" x 0.032"	894	1024:1042	-	1025	ZPT81-A*
0.205" x 0.020"	893	-	-	-	ZPT81-A*
0.205" x 0.025"	-	-	-	1154	ZPT81-A*
0.205" x 0.032"	892	1065	-	-	ZPT81-A*
0.250" x 0.032"	836:906	1021:1041	-	1022:1037	ZPT81-A*
	972:953	1045:1057	-	-	-
	953-MOD	1060:1061	-	-	-
0.110" x 0.020"	949	-	-	-	ZPT92-110*
0.110" x 0.032"	948	-	-	-	ZPT92-110*
0.187" x 0.020"	956	-	-	-	ZPT92-187*
0.187" x 0.032"	957	-	-	-	ZPT92-187*
0.250" x 0.032"	901	-	-	-	ZPT92-250*
0.250" x 0.020"	1032	1058	-	-	ZPT81-A*
0.250" x 0.032"	-	1059	-	-	ZPT81-A*

*Available with lower tooling to effect terminal splaying. Anvil with 30° splay (standard) or 60° splay, and anvil holder are also available from Zierick. Hand tools are also available for other Zierick terminals. Please consult factory.

The *Surf-Shooter SMT™* continuous strip feeder is a combination feed, shear and part present station designed to mount on the feeder rack of a placement system. With its own sophisticated on-board control system, the Surf-Shooter works independently of the host placement system. It senses when a part is picked up and automatically cycles, presenting another part for pick-up, eliminating the need for a mechanical, electrical or pneumatic interface with the placement machine. In most cases, standard nozzles are utilized and Surf-Shooter surface mount connectors are placed with no special machine modifications.

Some placement systems require communication between the feeder and the placement system. Zierick will work with the placement system manufacturer to provide that communication.

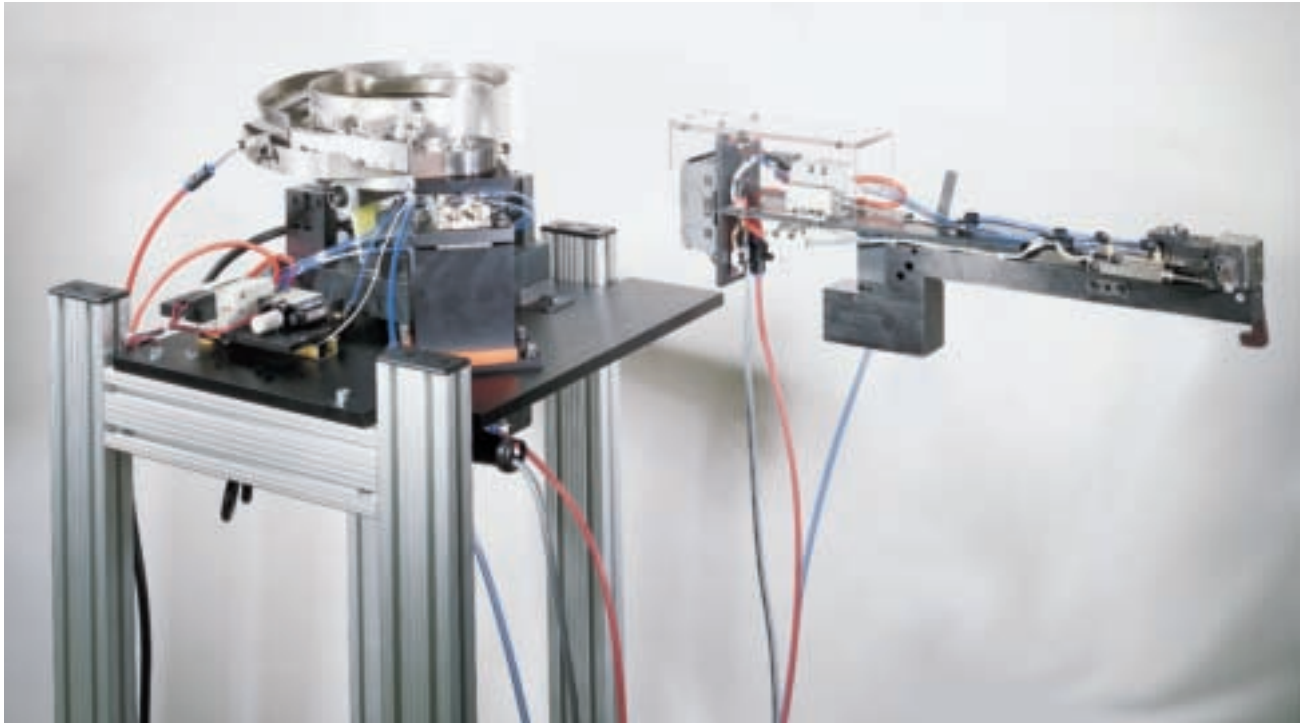


Odd - shaped parts can be assembled in-line on existing placement equipment.



Surface Mount connectors are provided on a continuous reel of parts in strip form and are separated and presented to a vacuum pick-up nozzle by the feeder. Continuous Reels are supplied for Zierick SMT connectors such as Pins, Posts, IDCs, Tabs, Jumpers, Wire Grippers, Box Receptacles, and Clips.

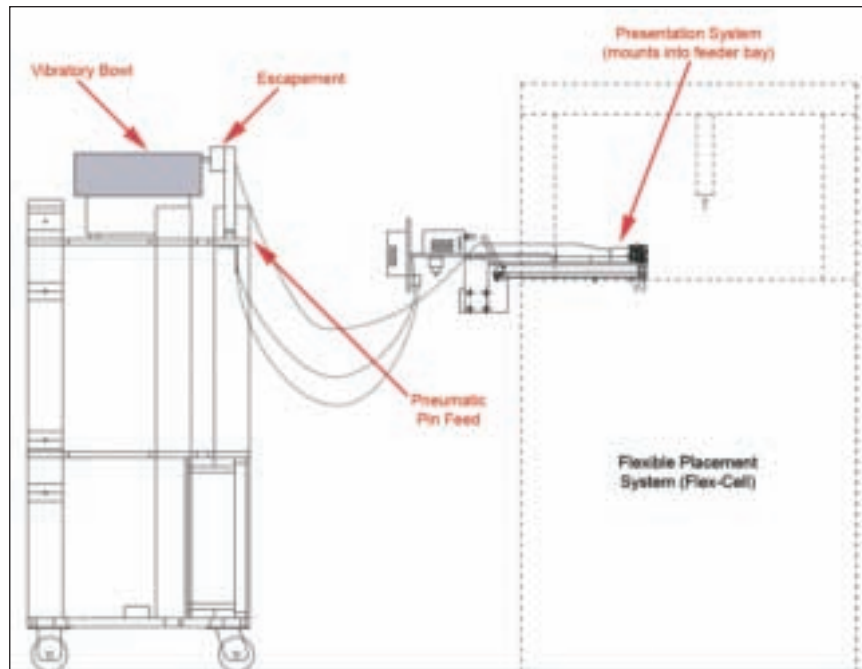
U.S. Patent Nos. 5,605,430 and 5,449,265



Zierick's *Surf-Shooter SMT™* loose piece pin feeder feeds surface mount loose piece pins ranging in size from 0.025" (0.64mm) square to 0.080" (2.03mm) in diameter, up to 0.750" (19.05mm) in length, at feed rates greater than 1 pin per second. The *Surf-Shooter SMT™* presentation unit is 3.750" (95.25mm) wide and is readily mounted in the feeder bay of most flexible placement systems, including Siemens, Universal, and Europlacer machines.

Typically, no electronic interface is required between feeder and placement machine. Some placement systems require communication between the feeder and the

placement system. Zierick will work with the placement system manufacturer to provide that communication.



The MP 1000, along with the appropriate interchangeable Crimp Die Set, is designed for medium to high volume applications. It delivers cost-effective wire terminations of the Zierick family of Insulation Piercing Crimp Terminals: PNs 1286, 1293, and 1295.

This powerful bench-top pneumatic machine provides an output range that is dependent on application and operator.

Available single position Crimp Dies:

- MPI-CRIMP-1286 for PN 1286
- MPI-CRIMP-1293 for PN 1293
- MPI-CRIMP-1295 for PN 1295

Basic Features of the MP 1000:

Base Width	8"
Base Depth	14"
Height <i>(max. opening, anvil to crimp die)</i>	0.500"
Depth of throat, max.	2.625"
Weight	30 to 35 lb.
Air Required	20 to 95 psi



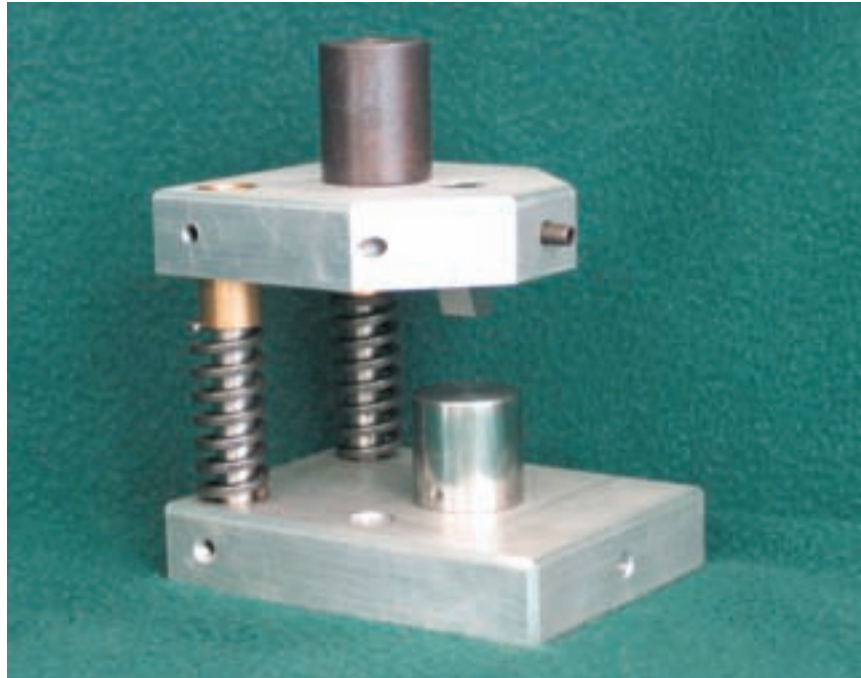
This small LCD Video Screen & Camera System can be attached to the MP 1000 in order to insure proper positioning of the PCB, to monitor the application, and for quality control.

LCD Video Screen & Camera Systems are sold separately.

The Versa-Crimp is designed for low volume applications. It is a small portable tool which, using the appropriate interchangeable Crimp Die Set, is designed for low volume applications, with options for different part numbers. It can be used with an arbor press, a bench vice or anything that will create enough force to make an adequate crimp.

Specifications for the Versa-Crimp 1.5:

Base Width	3"
Base Depth	4"
Height when Open	3.650"
Height (from top of mounting base to bottom of crimp die)	4.710"
Center of Tool to Pin Springs	1.500"
Weight	2.35 lbs.



WTC Wire Termination Crimp Hand Tool

This WTC Wire Termination Tool can be used, with the appropriate interchangeable Crimp Die Set, to terminate wires into any of the family of Crimp terminals. It was designed for use in the field or for low volume production.

These terminals include:

- PN1286
- PN1293
- PN1295



Wire Crimped in Hand Termination Tool



Close-Up of PCB in Hand Termination Tool



Interchangeable Die Set

Zierick products are guaranteed to be free from defects in material and workmanship for up to one year from the date of shipment. Those parts designed to be soldered meet the requirements of MIL-STD-202, METHOD 208. Solderability is guaranteed for up to one year from the date of shipment.

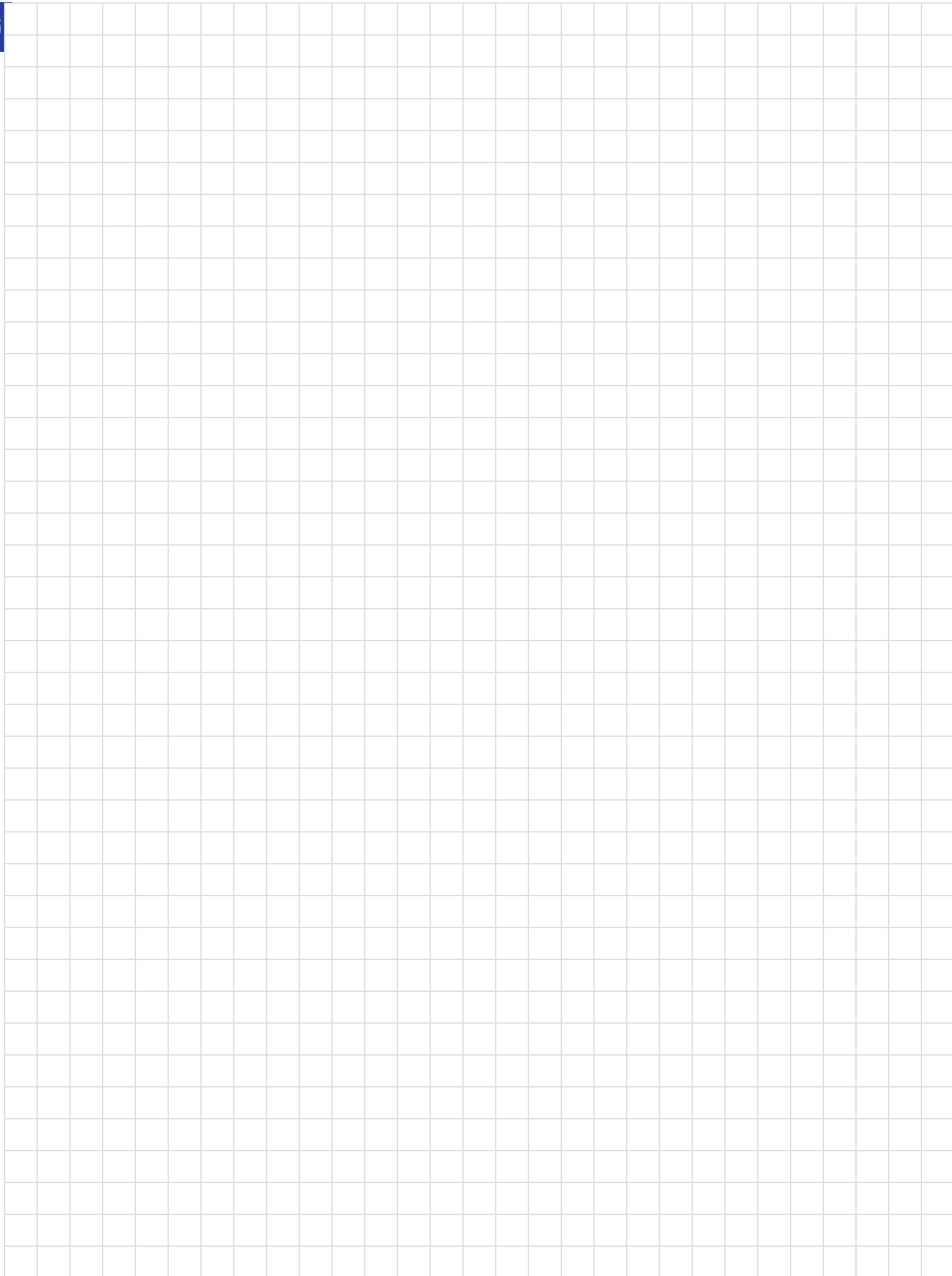
Zierick's liability is limited to replacement of the defective materials or refund of the purchase cost. Zierick will not be responsible for any injury, loss or damage, directly or indirectly related to the use or incorrect use of the product.

It is the user's responsibility to determine the suitability of the product to the application and its intended use. The user accepts all responsibility and liability for the intended use of the product.

Plating/Finish Table

Finish	Description
0	0.000150" (0.0038mm) 100% Matte Tin over 0.000100" (0.0025mm) Copper
1	0.000050" (0.0013mm) Hot Solder Dip (60% Tin, 40% Lead)
2	0.000050" (0.0013mm) Hot Tin Dip (100% Tin)
3	0.000150" (0.0038mm) Bright Tin over 0.000100" (0.0025mm) Copper
4	0.000100" (0.0025mm) Nickel <i>Note: Not recommended for parts which will be soldered.</i>
5	Cleaned and Polished
6	0.000150" (0.0038mm) 95/5 Matte Tin/Lead over 0.000100" (0.0025mm) Copper
7	0.000100" (0.0025mm) Bright Tin <i>Note: Not recommended for parts which will be soldered.</i>
8	0.000100" (0.0025mm) Matte Tin <i>Note: Not recommended for parts which will be soldered.</i>
9	No finish (Bare Base Metal)
10	Pre-Finished Ni over base metal
11	Pre-Finished 100% Hot Tin Dip (consult factory for thickness). Material edges will be bare.
12	Pre-Finished 0.000150" (0.0038mm) 95/5 Matte Tin/Lead over 0.000100" (0.0025mm) Copper. Material edges will be bare.
13	0.000150" (0.0038mm) 100% Matte Tin over Steel
14	0.000005" (0.00013mm) Gold over 0.000050" (0.0013mm) Nickel
15	0.000200" (0.0051mm) 100% Matte Tin over 0.000100" (0.0025mm) Nickel
16	Pre-finished 100% Matte Tin 0.000150" (0.0038mm) over 0.000100" (0.0025mm) Copper. Edges will be bare.
19	0.00003" (0.00076mm) Gold over 0.000030" Min (0.00077mm) Nickel
MS	Parts made to military standards have the prefix MS before the part number and are plated to the military standard of 0.0005" (0.0127mm) Min 100% Tin over 0.000150" (0.0038mm) Copper
SP	Special finish (consult factory)
Solderability:	In accordance with MIL-STD-202, Method 208.

This table does not represent all available finish types. Finishes other than the standard will be special orders; pricing and availability may vary. Please consult factory.



Part Number	Product Type	Base Material	Finish Code	Current Rating	Packaging	Pieces per Reel*	Page Number
A1-XXX	SMT Surface Mount Pins	C26000 Brass	0 **	8 / Pin	Loose	NA	6
A2-XXX-0	SMT Surface Mount Solid Pins	C11000 Copper	0	15	Loose	NA	7
A3-XXX-0	SMT Surface Mount Solid Pins	C11000 Copper	0	20	Loose	NA	7
A4-XXX-0	SMT Surface Mount Solid Pins	C11000 Copper	0	25	Loose	NA	7
CPB 9030 Clamp	Wire Clamp	C26000 Brass	0	30	Loose	NA	92
HX-XX-XXX-X	SMT Pin-Headers	Varies **	Varies **	8 / Pin	Loose / Strip	NA	12
IPC-4-35	SMT Fine Wire Connector	C26000 Brass	NA	2 / blade	Loose / Taped **	.90 M	19
IPC-4-45	SMT Fine Wire Connector	C26000 Brass	NA	2 / blade	Loose / Taped **	.90 M	19
M6111	MAGTERM Screw Terminal	C26000 Brass	0	30	Loose	NA	91
M6112	MAGTERM Screw Terminal	C26000 Brass	0	30	Loose	NA	91
7/16 632 BET SCREW	Binding Head Screw	C26000 Brass	8	30	Loose	NA	92
7/16 SEMS SCREW	Screw	Steel	Zinc	30	Loose	NA	91
348	Screw Terminal	C26000 Brass	0	30	Loose	NA	89
731	Screw Terminal	C26000 Brass	0	30	Loose	NA	87
792	Screw Terminal	C26000 Brass	0	30	Loose	NA	89
834	Tab / Quick Disconnect Terminal	C26000 Brass	0	10	Loose	NA	45
835	Tab / Quick Disconnect Terminal	C26000 Brass	0	10	Loose	NA	45
836	Tab / Quick Disconnect Terminal	C26000 Brass	0	20	Loose	NA	53
892	Tab / Quick Disconnect Terminal	C26000 Brass	0	20	Loose	NA	52
893	Tab / Quick Disconnect Terminal	C26000 Brass	0	20	Loose	NA	52
894	Tab / Quick Disconnect Terminal	C26000 Brass	0	20	Loose	NA	48
895	Tab / Quick Disconnect Terminal	C26000 Brass	0	20	Loose	NA	48
901	Tab / Quick Disconnect Terminal	C26000 Brass	0	20	Loose	NA	58
906	Tab / Quick Disconnect Terminal	C26000 Brass	0	20	Loose	NA	54
926	Fuse Clip Receptacle	C26000 Brass	0	15	Loose	NA	78
927	Fuse Clip Receptacle	C26000 Brass	0	15	Loose	NA	78
928	Screw Terminal	C26000 Brass	0	30	Loose	NA	90
934 ST.S	Screw Terminal	C26000 Brass	0	30	Loose	NA	87
934 ST. SC	Screw Terminal	C26000 Brass	0	30	Loose	NA	87
948	Tab / Quick Disconnect Terminal	C26000 Brass	0	20	Loose	NA	46
949	Tab / Quick Disconnect Terminal	C26000 Brass	0	20	Loose	NA	46
953	Tab / Quick Disconnect Terminal	C26000 Brass	0	20	Loose	NA	57
953-MOD	Tab / Quick Disconnect Terminal	C26000 Brass	0	20	Loose	NA	56
956	Tab / Quick Disconnect Terminal	C26000 Brass	0	20	Loose	NA	51
957	Tab / Quick Disconnect Terminal	C26000 Brass	0	20	Loose	NA	51
972	Tab / Quick Disconnect Terminal	C26000 Brass	0	20	Loose	NA	55
983	Accu-Pak™ Receptacle	C26000 Brass	0	10	Loose	NA	71
984	Accu-Pak™ Receptacle	C26000 Brass	0	15	Loose	NA	71
990	Fuse Clip Receptacle	C26000 Brass	0	15	Loose	NA	77
1021	Tab / Quick Disconnect Terminal	C26000 Brass	0	20	Loose	NA	52
1022	Accu-Pak™ Receptacle	C26000 Brass	0	20	Loose	NA	69
1024	Tab / Quick Disconnect Terminal	C26000 Brass	0	20	Loose	NA	47
1025	Accu-Pak™ Receptacle	C26000 Brass	0	15	Loose	NA	69
1026	Accu-Pak™ Receptacle	C26000 Brass	0	15	Loose	NA	69
1027	Tab / Quick Disconnect Terminal	C26000 Brass	0	20	Loose	NA	47
1030	Screw Terminal	C26000 Brass	0	30	Loose	NA	88
1032	Test Point Terminal	C26000 Brass	0	10	Loose	NA	62
1037	Accu-Pak™ Receptacle	C26000 Brass	0	20	Loose	NA	69
1039	Torsion-Lok™ IDC	C26000 Brass	0	20	Loose	NA	81
1041	Tab / Quick Disconnect Terminal	C26000 Brass	0	20	Loose	NA	55
1042	Tab / Quick Disconnect Terminal	C26000 Brass	0	20	Loose	NA	49
1045	Tab / Quick Disconnect Terminal	C26000 Brass	0	20	Loose	NA	54
1047	Fuse Clip Receptacle	C26000 Brass	0	15	Loose	NA	77
1048	Fuse Clip Receptacle	C26000 Brass	0	15	Loose	NA	77

Part Number Cross Reference

Part Number	Product Type	Base Material	Finish Code	Current Rating	Packaging	Pieces per Reel*	Page Number
1049-030	Test Point Terminal	C26000 Brass	0	10	Loose	NA	62
1057	Tab / Quick Disconnect Terminal	C26000 Brass	0	20	Loose	NA	55
1058	Test Point Terminal	C26000 Brass	0	10	Loose	NA	61
1059	Test Point Terminal	C26000 Brass	0	10	Loose	NA	61
1060	Tab / Quick Disconnect Terminal	C26000 Brass	0	20	Loose	NA	54
1061	Tab / Quick Disconnect Terminal	C26000 Brass	0	20	Loose	NA	53
1062	Bottom Entry 4 Beam Receptacle	C51000 Phosphor Bronze	0	10	Loose	NA	66
1063	Tab / Quick Disconnect Terminal	C26000 Brass	0	10	Loose	NA	45
1064	Tab / Quick Disconnect Terminal	C26000 Brass	0	10	Loose	NA	45
1065	Tab / Quick Disconnect Terminal	C26000 Brass	0	20	Loose	NA	51
1066	Tab / Quick Disconnect Terminal	C26000 Brass	0	20	Loose	NA	51
1069	Test Point Terminal	C26000 Brass	0	10	Loose	NA	61
1077	Tab / Quick Disconnect Terminal	C26000 Brass	0	20	Loose	NA	49
1090	Accu-Pak™ Receptacle	C26000 Brass	0	20	Loose	NA	70
1092	Accu-Pak™ Receptacle	C26000 Brass	0	20	Loose / Taped **	.55 M	73
1093	Accu-Pak™ Receptacle	C26000 Brass	0	20	Loose	NA	71
1108	Screw Terminal	C26000 Brass	0	30	Loose	NA	89
1108-GRSC	Screw Terminal	C26000 Brass	0	30	Loose	NA	89
1108-TORX	Screw Terminal	C26000 Brass	0	30	Loose / Taped **	.50 M	89
1112	Tab / Quick Disconnect Terminal	C26000 Brass	0	20	Loose	NA	56
1113	Tab / Quick Disconnect Terminal	C26000 Brass	0	20	Loose	NA	56
1115	Tab / Quick Disconnect Terminal	C26000 Brass	0	20	Loose	NA	52
1116 ST.S	Screw Terminal	C26000 Brass	11	30	Loose	NA	88
1117	Screw Terminal	C26000 Brass	11	30	Loose	NA	88
1118	Accu-Pak™ Receptacle	C26000 Brass	0	20	Loose / Taped **	.43 M	74
1119	Torsion-Lok™ IDC	C26000 Brass	0	30	Loose	NA	81
1123	Accu-Pak™ Receptacle	C26000 Brass	0	20	Loose	NA	69
1131	Tab / Quick Disconnect Terminal	C26000 Brass	0	30	Loose	NA	58
1141	Tab / Quick Disconnect Terminal	C26000 Brass	0	20	Loose	NA	49
1154	Accu-Pak™ Receptacle	C26000 Brass	0	20	Loose	NA	70
1158 ST.S	Screw Terminal	C26000 Brass	0	30	Loose	NA	90
1166	Tab / Quick Disconnect Terminal	C26000 Brass	0	20	Loose	NA	50
1172	Tab / Quick Disconnect Terminal	C26000 Brass	0	20	Loose	NA	50
1173	Tab / Quick Disconnect Terminal	C26000 Brass	0	20	Loose	NA	57
1174	Torsion-Lok™ IDC	C26000 Brass	0	20	Loose	NA	82
1179	SMT Jumper	C11000 Copper	0	25	Loose / Taped **	7.00 M	28
1182	Torsion-Lok™ IDC	C26000 Brass	0	10	Loose	NA	80
1183	Torsion-Lok™ IDC	C26000 Brass	0	10	Loose	NA	80
1184	SMT Fuse Clip Connector	C51000 Phosphor Bronze	0	15	Loose / Taped **	1.05 M	34
1185	Torsion-Lok™ IDC	C26000 Brass	0	20	Loose	NA	82
1187	Top Entry 2 Beam Receptacle	C51000 Phosphor Bronze	0	10	Loose	NA	67- 85
1188	Accu-Pak™ Receptacle	C26000 Brass	0	20	Loose	NA	74
1193	Bottom Entry 2 Beam Receptacle	C51000 Phosphor Bronze	0	10	Loose	NA	67
1198	Tab / Quick Disconnect Terminal	C26000 Brass	0	20	Loose	NA	52
1200	Bottom Entry 2 Beam Receptacle	C51000 Phosphor Bronze	0	10	Loose	NA	67
1201	Tab / Quick Disconnect Terminal	C26000 Brass	0	10	Loose	NA	45
1202	Screw Terminal	C26000 Brass	11	30	Loose	NA	88
1216	Surface Mount Post	C26000 Brass	0	8	Loose	NA	5
1222	Surface Mount Post	C26000 Brass	0	8	Loose	NA	5
1225	Accu-Pak™ Receptacle	C26000 Brass	0	20	Loose	NA	70
1227	SMT IDC	C26000 Brass	0	20	Loose	NA	20
1230	SMT Fuse Clip	C51000 Phosphor Bronze	0	15	Loose / Taped **	1.05 M	34 - 35
1235	SMT IDC	C26000 Brass	0	20	Loose / Taped **	2.50 M	21

Part Number	Product Type	Base Material	Finish Code	Current Rating	Packaging	Pieces per Reel*	Page Number
1237	SMT Top-Entry Receptacles	C26000 Brass	0	25	Loose / Taped **	.90 M	30 - 35
1238	SMT Bottom-Entry Receptacles	C26000 Brass	0	25	Loose / Taped **	.90 M	30
1241	Accu-Pak™ Receptacle	C26000 Brass	0	15	Loose	NA	69
1245	SMT IDC	C26000 Brass	0	20	Loose / Taped **	2.00 M	21
1258-XXX-0	SMT Board Stacking Connector	C26000 Brass	0	10	Loose / Taped **	2.50 M	17
1260	SMT Socket	C17200 Beryllium Copper	3	7	Loose / Taped **	2.80 M	36
1260-SQ	SMT Socket with Square Base	C17200 Beryllium Copper	3	7	Loose / Taped **	2.74 M	37
1262	SMT Top- or Bottom-Entry Box Receptacle	C51000 Phosphor Bronze	0	20	Loose / Taped **	.63 M	27 - 32
1264	SMT Z-Axis Compliant Pin	C15500 Copper & Silver	0	8	Loose	NA	6
1266	SMT Dual Entry Box Receptacle	C51000 Phosphor Bronze	0	20	Loose / Taped **	1.59 M	31
1274	Accu-Pak™ Receptacle	C26000 Brass	0	20	Loose / Taped	.55 M	73
1275	High Performance SMT Box Receptacle	C70250 Copper Alloy	0	20	Loose / Taped **	.63 M	33 - 39
1277	SMT Box Receptacle	C51000 Phosphor Bronze	0	10	Loose / Taped **	.625 M	33
1278	SMT Quick Disconnect Terminal	C26000 Brass	0	20	Loose	NA	9
1279	SMT Socket	C17200 Beryllium Copper	3	7	Loose / Taped **	2.20 M	38
1280	SMT Socket	C17200 Beryllium Copper	3	7	Loose / Taped **	2.80 M	38
1282	Tab / Quick Disconnect Terminal	C26000 Brass	0	10	Loose	NA	48
1285	Tab / Quick Disconnect Terminal	C26000 Brass	0	25	Loose / Taped **	.375 M	10
1286	SMT Insulation Piercing Crimp Connectors	C26000 Brass	16	15	Loose / Taped **	2.0 M	23
1288	Universal Tab Receptacle	C26000 Brass	0	20	Loose	NA	74
1290	Universal Tab Receptacle	C26000 Brass	0	20	Loose	NA	73
1293	SMT Insulation Piercing Crimp Connectors	C26000 Brass	16	27	Loose / Taped **	1.90 M	23
1295	SMT Insulation Piercing Crimp Connectors	C26000 Brass	16	8	Loose / Taped **	2.50 M	24
1296	SMT IDC	C26000 Brass	0	10	Loose / Taped	2.00 M	21
1299	Universal Tab Receptacle	C26000 Brass	0	20	Loose	NA	75
1300-T	Zip Cord Connector	C26000 Brass	16	Varies **	Taped	.80 M	25
1301	SMT Box Receptacles	C51000 Phosphor Bronze	0	10	Loose / Taped **	4.50 M	27 & 32
1302	Zip Cord Connector	C26000 Brass	0	Varies **	Loose / Taped **	1.10 M	26
5044	Crimp-On Lead Wire Strain Relief Terminals	C26000 Brass	11	15	Reeled	10 M	86
5088	Crimp-On Lead Wire Strain Relief Terminals	C26000 Brass	11	15	Reeled	10 M	86
6021	Tab / Quick Disconnect Terminal	C26000 Brass	0	20	Reeled	15 M	52
6022	Accu-Pak™ Receptacle	C26000 Brass	0	20	Reeled	5 M	69
6024	Tab / Quick Disconnect Terminal	C26000 Brass	0	20	Reeled	15 M	47
6025	Accu-Pak™ Receptacle	C26000 Brass	0	15	Reeled	8 M	69
6026	Accu-Pak™ Receptacle	C26000 Brass	0	15	Reeled	8 M	69
6027	Tab / Quick Disconnect Terminal	C26000 Brass	0	20	Reeled	12 M	47
6037	Accu-Pak™ Receptacle	C26000 Brass	0	20	Reeled	5 M	69
6041	Tab / Quick Disconnect Terminal	C26000 Brass	0	20	Reeled	15 M	55
6042	Tab / Quick Disconnect Terminal	C26000 Brass	0	20	Reeled	15 M	49
6045	Tab / Quick Disconnect Terminal	C26000 Brass	0	20	Reeled	15 M	54
6050-030	Test Point Terminal	C26000 Brass	0	10	Reeled	20 M	62
6057	Tab / Quick Disconnect Terminal	C26000 Brass	0	20	Reeled	15 M	55
6059	Test Point Terminal	C26000 Brass	0	10	Reeled	25 M	61
6060	Tab / Quick Disconnect Terminal	C26000 Brass	0	20	Reeled	15 M	54
6061	Tab / Quick Disconnect Terminal	C26000 Brass	0	20	Reeled	15 M	53
6062	Bottom Entry 4 Beam Receptacle	C51000 Phosphor Bronze	0	10	Reeled	5 M	66
6062-101	Bottom Entry 4 Beam Receptacle	C51000 Phosphor Bronze	0	10	Reeled	5 M	66
6063	Tab / Quick Disconnect Terminal	C26000 Brass	0	10	Reeled	20 M	45
6064	Tab / Quick Disconnect Terminal	C26000 Brass	0	10	Reeled	20 M	45
6065	Tab / Quick Disconnect Terminal	C26000 Brass	0	20	Reeled	15 M	51
6069	Test Point Terminal	C26000 Brass	0	10	Reeled	50 M	61
6072	IDC for #19-18 AWG Magnet Wire	C26000 Brass	0	15	Reeled	7 M	83
6073-XXX	Accu-Post Terminal	C26000 Brass	0	10	Reeled	25 M	94
6075-XXX	Accu-Post Terminal	C26000 Brass	0	10	Reeled	15 M	94

110 Part Number Cross Reference

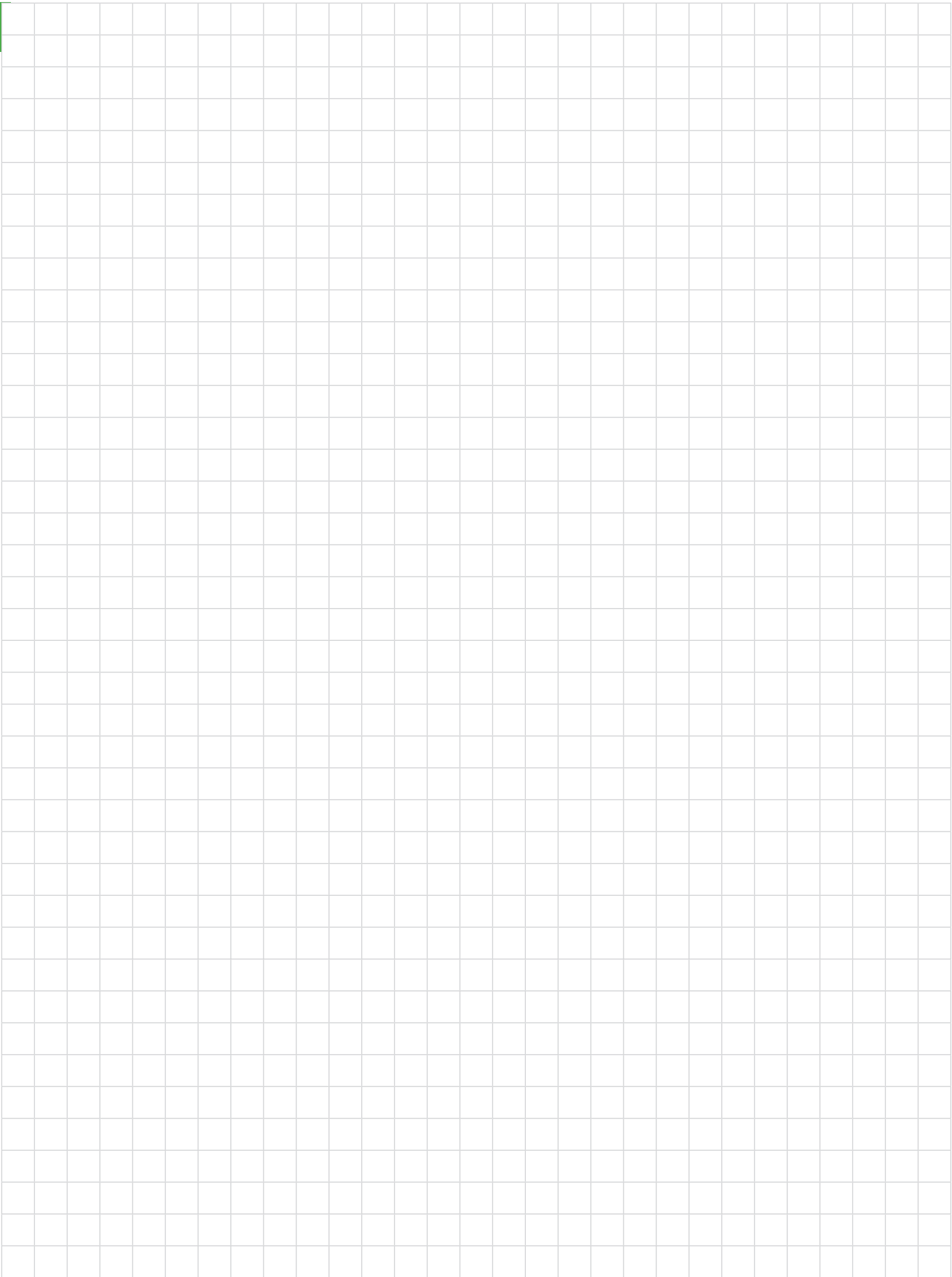
Part Number	Product Type	Base Material	Finish Code	Current Rating	Packaging	Pieces per Reel*	Page Number
6077	Tab / Quick Disconnect Terminal	C26000 Brass	0	20	Reeled	13 M	49
6078	Tab / Quick Disconnect Terminal	C26000 Brass	0	20	Reeled	13 M	49
6080	Tab / Quick Disconnect Terminal	C26000 Brass	0	20	Reeled	5.5 M	59
6090	Accu-Pak™ Receptacle	C26000 Brass	0	20	Reeled	7.5 M	70
6092	Accu-Pak™ Receptacle	C26000 Brass	0	20	Reeled	4 M	73
6093	Accu-Pak™ Receptacle	C26000 Brass	0	20	Reeled	7.5 M	71
6100	Accu-Pak™ Receptacle	C51000 Phosphor Bronze	0	3	Reeled	10 M	65
6101	Accu-Pak™ Receptacle	C51000 Phosphor Bronze	0	3	Reeled	10 M	65
6110	Tab / Quick Disconnect Terminal	C26000 Brass	0	20	Reeled	12.5 M	57
6112	Tab / Quick Disconnect Terminal	C26000 Brass	0	20	Reeled	10 M	56
6113	Tab / Quick Disconnect Terminal	C26000 Brass	0	20	Reeled	10 M	56
6114	Torsion-Lok™ IDC	C26000 Brass	0	10	Reeled	6.5 M	80
6115	Tab / Quick Disconnect Terminal	C26000 Brass	0	20	Reeled	12.5 M	52
6118	Accu-Pak™ Receptacle	C26000 Brass	0	20	Reeled	4 M	74
6119	Torsion-Lok™ IDC	C26000 Brass	0	30	Reeled	6.5 M	81
6120	Accu-Pak™ Receptacle	C26000 Brass	0	25	Reeled	3 M	71
6123	Accu-Pak™ Receptacle	C26000 Brass	0	20	Reeled	5 M	69
6134	Tab / Quick Disconnect Terminal	C26000 Brass	0	20	Reeled	7 M	48
6140	Tab / Quick Disconnect Terminal	C26000 Brass	0	20	Reeled	15 M	49
6141	Tab / Quick Disconnect Terminal	C26000 Brass	0	20	Reeled	15 M	49
6142	Tab / Quick Disconnect Terminal	C26000 Brass	0	20	Reeled	15 M	48
6143-XXX	Accu-Post Terminal	C26000 Brass	0	8	Reeled	15 M	94
6148	Tab / Quick Disconnect Terminal	C26000 Brass	0	20	Reeled	6 M	51
6149	Tab / Quick Disconnect Terminal	C26000 Brass	0	20	Reeled	6 M	51
6152	Tab / Quick Disconnect Terminal	C26000 Brass	0	20	Reeled	5.5 M	59
6154	Accu-Pak™ Receptacle	C26000 Brass	0	15	Reeled	5 M	70
6172	Tab / Quick Disconnect Terminal	C26000 Brass	0	20	Reeled	5 M	50
6173	Tab / Quick Disconnect Terminal	C26000 Brass	0	20	Reeled	5 M	57
6174	Torsion-Lok™ IDC	C26000 Brass	0	20	Reeled	4 M	82
6179	SMT Jumper	C11000 Copper	0	25	Reeled	20 M	28
6183	Torsion-Lok™ IDC	C26000 Brass	0	10	Reeled	15 M	80
6184	SMT Fuse Clip Connector	C51000 Phosphor Bronze	0	15	Reeled	2 M	34
6185	Torsion-Lok™ IDC	C26000 Brass	0	20	Reeled	12.5 M	82
6187	Top Entry 2 Beam Receptacle	C51000 Phosphor Bronze	0	10	Reeled	5 M	67 & 85
6188	Accu-Pak™ Receptacle	C26000 Brass	0	20	Reeled	3.5 M	74
6193	Bottom Entry 4 Beam Receptacle	C51000 Phosphor Bronze	0	10	Reeled	5 M	67
6198	Tab / Quick Disconnect Terminal	C26000 Brass	0	20	Reeled	15 M	52
6200	Bottom Entry 4 Beam Receptacle	C51000 Phosphor Bronze	0	10	Reeled	5 M	67
6201	Tab / Quick Disconnect Terminal	C26000 Brass	0	10	Reeled	20 M	45
6205	Tab / Quick Disconnect Terminal	C26000 Brass	0	20	Reeled	15 M	83
6216	Surface Mount Post	C26000 Brass	0	8	Reeled	7 M	5
6222	Surface Mount Post	C26000 Brass	0	8	Reeled	7 M	5
6224	Tab / Quick Disconnect Terminal	C26000 Brass	0	20	Reeled	15 M	55
6225	Accu-Pak™ Receptacle	C26000 Brass	0	15	Reeled	5 M	70
6227	SMT IDC	C26000 Brass	0	20	Reeled	2.2 M	20
6230	SMT Fuse Clip	C51000 Phosphor Bronze	0	15	Reeled	2 M	34 & 35
6233-AAAA-BBB	SMT Variable Size Jumper	C11000 Copper	2	Varies **	Reeled / Taped **	Varies	28
6237	SMT Bottom-Entry Receptacles	C26000 Brass	0	25	Reeled	.9 M	30
6238	SMT Bottom-Entry Receptacles	C26000 Brass	0	25	Reeled	.9 M	30
6239	SMT Post	C26000 Brass	0	8	Reeled	9 M	5
6240	SMT Post	C26000 Brass	0	8	Reeled	9 M	5
6241	Accu-Pak™ Receptacle	C26000 Brass	0	15	Reeled	6 M	69

Part Number	Product Type	Base Material	Finish Code	Current Rating	Packaging	Pieces per Reel*	Page Number
6246	Surface Mount Post	C26000 Brass	0	8	Reeled	7 M	5
6262	SMT Top- or Bottom-Entry Receptacle	C51000 Phosphor Bronze	0	20	Reeled	1.5 M	27 & 32
6264	SMT Z-Axis Compliant Pin	C15500 Copper & Silver	0	8	Loose	NA	6
6266	SMT Dual Entry Box Receptacle	C51000 Phosphor Bronze	0	20	Reeled	1.5 M	31
6267	THT Tab/ Quick Disconnect Terminal	C26000 Brass	0	15	Reeled	10 M	47
6274	Accu-Pak™ Receptacle	C26000 Brass	0	20	Reeled	4 M	73
6275	High Performance SMT Box Receptacle	C70250 Copper Alloy	0	20	Reeled	5 M	33 & 39
6277	SMT Box Receptacle	C51000 Phosphor Bronze	0	10	Reeled	7.5 M	33
6282	THT Tab/ Quick Disconnect Terminal	C26000 Brass	0	10	Reeled	15 M	48
6284	SMT/THT Quick Disconnect Terminal	C26000 Brass	0	25	Reeled	2.5 M	10 & 53
6285	SMT Tab/Quick Disconnect Terminal	C26000 Brass	0	25	Reeled	3.0 M	10
6288	Universal Tab Receptacle	C26000 Brass	0	20	Reeled	4 M	74
6290	Universal Tab Receptacle	C26000 Brass	0	20	Reeled	4 M	73
6291	SMT/THT Quick Disconnect Terminal	C26000 Brass	0	25	Reeled	2.5M	9 & 47
6299	Universal Tab Receptacle	C26000 Brass	0	20	Reeled	4 M	75
6301	SMT Box Receptacles	C51000 Phosphor Bronze	0	10	Reeled	25 M	27 & 32
6302	Zip Cord Connector	C26000 Brass	0	Varies **	Reeled	4 M	26
6834	THT Tab/ Quick Disconnect Terminal	C26000 Brass	0	10	Reeled	20 M	45
6835	THT Tab/ Quick Disconnect Terminal	C26000 Brass	0	10	Reeled	20 M	45
6836	THT Tab/ Quick Disconnect Terminal	C26000 Brass	0	20	Reeled	12.5 M	53
6894	THT Tab/ Quick Disconnect Terminal	C26000 Brass	0	20	Reeled	15 M	48
6895	THT Tab/ Quick Disconnect Terminal	C26000 Brass	0	20	Reeled	20 M	48
6901	THT Tab/ Quick Disconnect Terminal	C26000 Brass	0	20	Reeled	6 M	58
6948	THT Tab/ Quick Disconnect Terminal	C26000 Brass	0	20	Reeled	6 M	46
6949	THT Tab/ Quick Disconnect Terminal	C26000 Brass	0	20	Reeled	6 M	46
6956	THT Tab/ Quick Disconnect Terminal	C26000 Brass	0	20	Reeled	6 M	50
6957	THT Tab/ Quick Disconnect Terminal	C26000 Brass	0	20	Reeled	6 M	50

Disclaimer Note: Current ratings are general guidelines only. Since each application is different, the customer must do their own testing to determine the appropriate current rating for their specific application.

* M = 1,000

** Consult Factory or Website for Additional Information



With more than 90 years of experience in precision custom stamping, Zierick offers the necessary R&D, capital intensive equipment, toolmakers, manufacturing processes, and quality control procedures to meet demanding metal stamping needs while providing savings to you. We offer premium quality stampings in medium and high volumes.



Zierick is an expert manufacturer of connectors and assembly equipment, so it is no surprise that we make top-quality electrical and electronic interconnection hardware products as well. If you are looking for standard or hard-to-find designs, Zierick's extensive product line and engineering capability represent an unequaled source of quality products. Our Standard Hardware products include:

- Eyelet Terminals
- Lockwasher Terminals
- Solder Lugs - Flat and Angle
- Jumper Lugs
- Angle Brackets
- Cable Clamps

Request a copy of
our Interconnection
Hardware Catalog



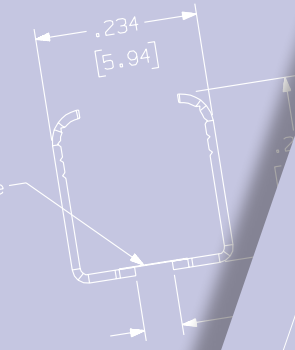
We at Zierick are committed to meet customer specifications and requirements. We conduct verification and validation testing activities during design phases. Production undergoes rigorous inspections to ensure precise tolerances are maintained. We employ a state of the art Image Dimension Measuring System which performs pre-defined measurements in a multi-measurement mode.

Interconnection Hardware





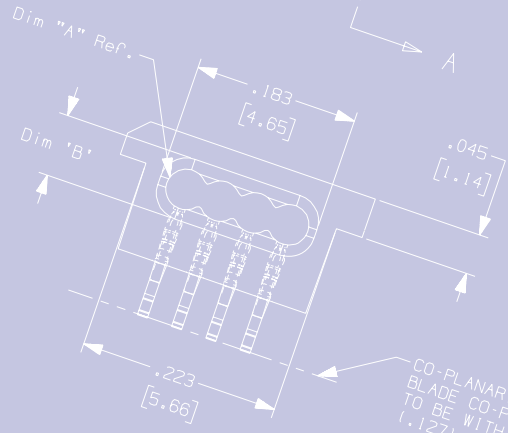
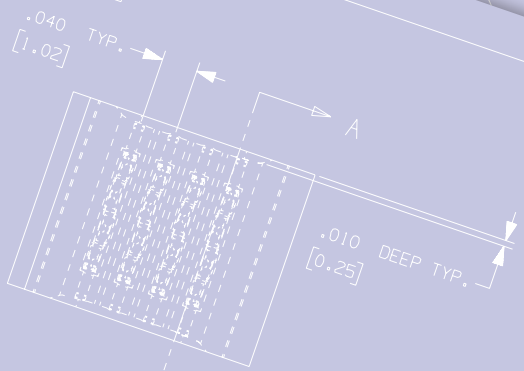
NOTE:
THIS PART IS A PROPRIETARY
PRODUCT OF ZIERICK MFG. CO.
PATENT # 7320616



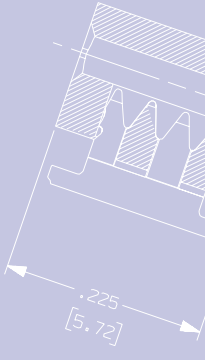
MATERIAL
.012 (.30mm) PRE-F
BRASS

Radio Circle Drive
Mount Kisco, New York

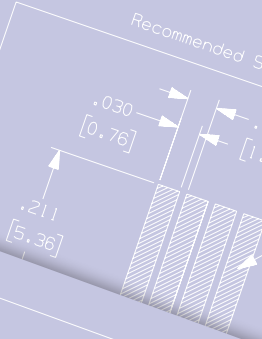
RoHS COMPLIANT
Zierick Product Related Recommendations are general guidelines only. Since each customer's design, process and application is unique, it is necessary that customers test our products in specific applications.



CO-PLANARITY LINE:
BLADE CO-PLANARITY
TO BE WITHIN .005
(.127)

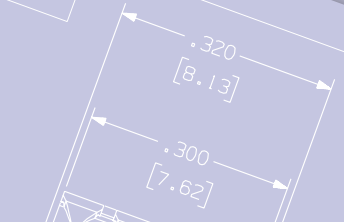


Decimal: .xxx ±.005
.xx ±.01
.x ±.003



1300-KAPTON

Rev.



ZIERICK MANUFACTURING CORPORATION

131 RADIO CIRCLE, MOUNT KISCO, NY 10549
914.666.2911 ■ 800.882.8020 ■ 001.914.666.2911 ■ FAX 914.666.0216

www.zierick.com



RoHS COMPLIANT
Zierick Product Related Recommendations are general guidelines only. Since each customer's design, process and application is unique, it is necessary that customers test our products in specific applications.

ZIERICK

Polyimide Tape

FULL R (TYP)

THIS DOCUMENT IS THE PROPERTY OF ZIERICK MFG. CO.