

ZIERICK

ENGINEERED INTERCONNECTION SOLUTIONS

131 Radio Circle, Mt. Kisco, NY 10549 USA
800-882-8020 • 914-666-2911 • Fax: 914-666-0216
www.zierick.com • contactus@zierick.com

Zierick offers solutions for interconnect applications. Specialists in Wire-to-Board and Board-to-Board applications.

Providing Surface Mount and Thru-Hole product while further reducing costs through our line of insertion, presentation and wire termination machines and equipment.

Our US-based experts can also offer custom stamping solutions while all facets of production are done in our ISO Certified New York facility.



SURFACE MOUNT INSULATION PIERCING CRIMP TERMINAL PART NUMBER 1307

Zierick Manufacturing Corporation has developed an extension to our Award-winning line of Surface Mount Insulation Piercing Crimp Terminals. The present product offering allows for termination of wire sizes ranging from 14-22 gauge. The new 1307 terminal extends that range to allow the wire to board termination of 24 gauge wires.


This terminal allows the wires to be terminated without any additional wire preparation (the insulation does not need to be removed) and the termination process acts as a strain relief to allow the terminal to be used in serial connection applications (the wire can continue after the terminal for daisy chaining). This is all accomplished during the crimping process that

uses a series of applicators such as hand tools or a bench top press.

The terminal is a perfect fit for applications such as Solid-State Lighting, Sensors, Automotive Modules as well as any application that needs a low profile, economical, discrete wire to board connection.



SPECIFICATIONS

Loose Piece Part Number	1307
Taped Part Number	1307T (16mm Tape per EIA-481)
Wire Sizes	24 AWG (Stranded Wire) (0.045" Nom. OD)
Material Thickness/ Type	0.010" (0.254mm) C26000 Brass
Standard Finish	Pre-finished 100% Matte Tin over Copper. Edges will be bare (16)
Current Rating	3.5 Amperes for 24 AWG Stranded
US Patent Number	Patent Applied For
UL File Number	E361770 

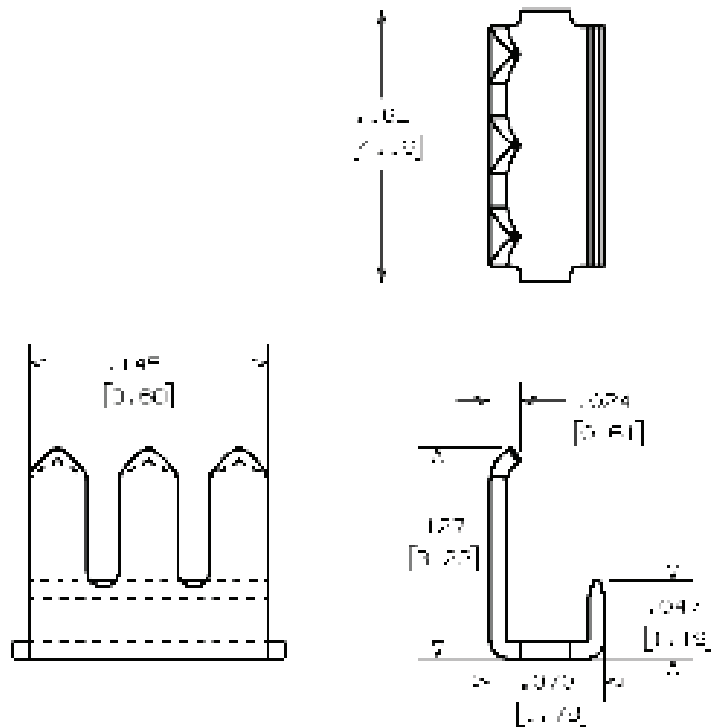


SURFACE MOUNT INSULATION PIERCING CRIMP TERMINAL PART NUMBER 1307

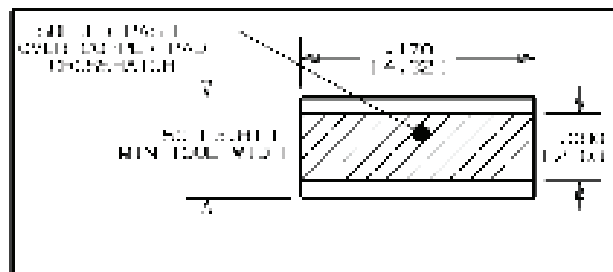
FEATURES & BENEFITS

- Most economical way to terminate wire to board
- Smallest Footprint
- No additional strain relief required
- No additional wire preparation required
- Terminal lends itself to high speed automated termination
- Available in taped format – no need for additional assembly equipment

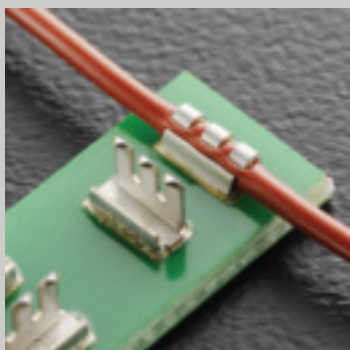
APPLICATION DRAWING



RECOMMENDED SOLDER PAD GEOMETRY



More Information Online



View of Terminated Part

RECOMMENDED TOOLING

Hand Tool	WTC-1307-1
Press	MP 1000 (Anvil MP1-Crimp-1307)