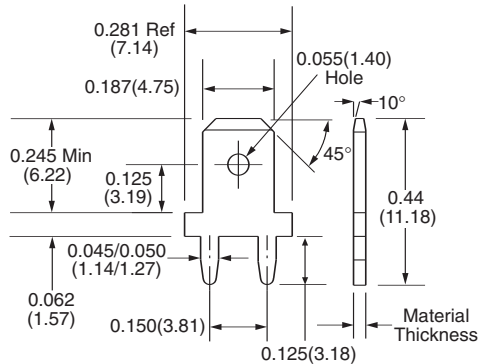


0.187" (4.75mm) Tabs / Quick Disconnect Terminals



Loose Part No.	N/A	1077
Reeled Part No.	6078	6077
Mounting Type	Outward or Inward Splay	Outward or Inward Splay
Material Thickness/ Type	0.020" (0.51mm) Brass	0.032" (0.81mm) Brass
Standard Finish	Loose: 100% Tin over Copper Reeled: 100% Tin over Copper	
Mounting Hole Diameter	0.050" \pm 0.003" (1.27mm \pm 0.076mm)	0.058" \pm 0.003" (1.47mm \pm 0.076mm)
Applicator System	Loose: ZPT81-A Reeled: Model 7000, 9700, 9700 XY	

For exact finish specifications and available special finishes, see Finish Table (page 106).